



User Manual

Code: CDS-6IP-3POE
ACCESS POINT 5.8 GHz **CDS-6IP-3POE** CAMSAT

Warning!

Please read the user manual included in this work as it contains important information related with safety of installation and use of the device.

Only persons who read the user manual may use the device.

The user manual must be kept because it may be required in the future. The device is to be used exclusively for purposes specified in this user manual.

The device must be unpacked prior to starting-up. After removing the packaging make sure the device is in working order. If the product has defects, it should not be used until it is repaired.

The product is intended for use at home and commercial use and may not be used for other than intended use.

The manufacturer is not liable for damages resulting from not adhering to the rules contained in the user manual, therefore, we recommend to follow the aforementioned safety rules for operation and maintenance of the device. In this way you will ensure yourself safety and avoid causing damage to the device.

The manufacturer and the supplier are not liable for losses or damages arising out of the product, including financial or intangible losses, loss of profits, income, data, pleasure from use of the product or other products related with it - indirect, incidental or consequential loss or damage. The above provisions apply whether the loss or damage concerns:

1. Deterioration of quality or the lack of operation of the products or products related with it due to damage as well as the lack of access to the product when it is undergoing repair, which results in stoppage the loss of user's time or a break in business activity;
2. Improper results of operation of the product or products related with it;
3. It applies to losses and damages according to any legal category, including negligence and other losses, termination of a contract, expressed or implied guarantee and strict liability (even if the manufacturer or the supplier was notified about the possibility of occurrence of such damages).

Safety measures:

Particular attention at designing was directed to quality standards of the device where ensuring safety of operation is the most important factor.

The device must be secured against contact with caustic, staining and viscous fluids.

The device was designed in such a way that it restarts operation when power supply is restored after a break.

Attention! We recommend using protections to further protect the device from possible overvoltages in installations. Surge protectors are effective protection against accidental pass to the device voltages higher than the rated. Damages caused by pass the voltages higher than specified in manual, are not under warranty.

Turn off the device before transporting it.

Prior to connecting the device to a power source check whether the supplied voltage is consistent with rated voltage specified in the user manual.

Proper product disposal:

A marking of a crossed out waste bin indicates that the product may not be disposed together with other household waste in the entire EU. To avoid possible damage to the natural environment of health due to uncontrolled waste disposal, therefore, it should be handed over for recycling, propagating in this way sustainable use of natural resources.

To return a worn-out product, use a collection and disposal system of this type of equipment or contact a seller from whom it was purchased. He will then be recycled in an environmentally-friendly way.



The CDS-6IP-3POE wireless video transmission module for megapixel cameras and IP Full HD / IP 4K recorders. The device is a transmitter and receiver in a single module (transceiver). The encryption using 64/128/152 bit identification code provides the protection against spying.

The device has built-in a dual antenna (MIMO 5GHz 2 x 13 dBi) and allows precise antennas tuning and achieving high-quality transmission at different distances.

Built-in PoE switch allows you to power up to 3 devices in accordance with the IEEE 802.3 af/at or Passive PoE 48V standard. It is also possible to power the CDS-6IP-3POE device itself via Passive PoE or via a switch supplying power in accordance with the IEEE 802.3 at standard.

Frequency range:	5150 MHz ... 5350 MHz , 5470 MHz ... 5725 MHz
Number of channels:	max. 16
Resolution:	max. 16 Mpx
Protections:	<ul style="list-style-type: none"> • 64 / 128 / 152 bits WEP code • WPA • WPA-PSK/WPA2-PSK
Transmitter power:	≤ 500 mW (27 dBm)
Wireless transmission range:	max. 2 km
Antenna type:	Integrated, 2 pcs 14 dBi MIMO - Interpolarized H/V
Modulation type:	OFDM
Baud rates:	max. 60 Mbps
Operation modes:	<ul style="list-style-type: none"> • Video Bridge - mode dedicated to work with IP cameras • Master - Access Point • Slave - AP Client
Power supply:	<ul style="list-style-type: none"> • Passive PoE : 48 V DC (power adapter included) • PoE (802.3at), • 48 V DC, • 12 ... 24 V DC / 1 A

Main features:	<ul style="list-style-type: none"> • Operates in configuration Point-to-Point and Point-to-Multipoint • One receiver module can receive signal from 8 transmitters • MIMO technology - increases the throughput of wireless link (multiple antennas transmission) • Bidirectional communication • IP PTZ control • RF power control • interference free transmission (industrial, 802.11, Bluetooth, radiotelephony, etc.) • Possibility to power up to 3 PoE 802.3at/af or PASSIVE receivers • The radio signal level LED indicator • LED signaling of the device operation status
"Index of Protection":	IP55
Operation temp:	-20 °C ... 70 °C
Weight:	0.37 kg
Dimensions:	249 x 88 x 52 mm
Manufacturer / Brand:	CAMSAT
Guarantee:	2 years

Side view:



LED diodes indicating the device operation status:



Bottom view (after remove the cover):



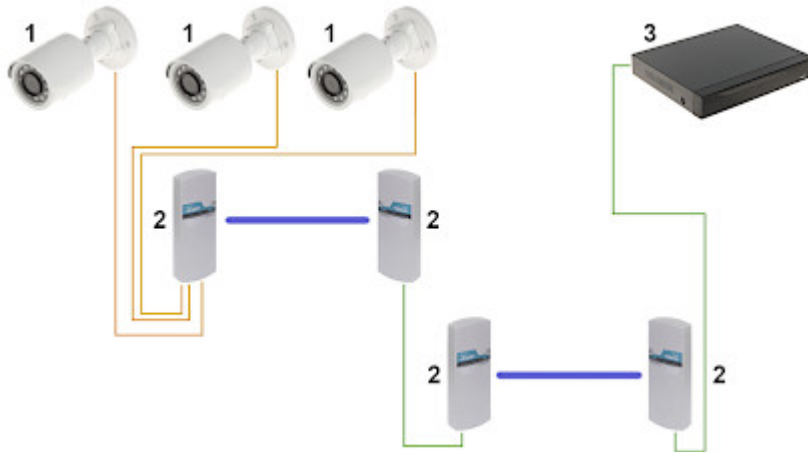
Connectors:



Mast mounting diameter:



Transmission schematic diagram:



- 1. IP Camera
 - 2. CDS-6IP-3POE
 - 3. DVR
 - Green - twisted-pair cable
 - Blue - wireless radio transmission
- In the kit:





PACKAGE

Dimensions (L x W x H): 0x0x0 mm	Gross Weight: 0 kg
----------------------------------	--------------------

