

## Warning!

Please read the user manual included in this work as it contains important information related with safety of installation and use of the device.

Only persons who read the user manual may use the device.

The user manual must be kept because it may be required in the future. The device is to be used exclusively for purposes specified in this user manual.

The device must be unpacked prior to starting-up. After removing the packaging make sure the device is in working order. If the product has defects, it should not be used until it is repaired.

The product is intended for use at home and commercial use and may not be used for other than intended use.

The manufacturer is not liable for damages resulting from not adhering to the rules contained in the user manual, therefore, we recommend to follow the aforementioned safety rules for operation and maintenance of the device. In this way you will ensure yourself safety and avoid causing damage to the device.

The manufacturer and the supplier are not liable for losses or damages arising out of the product, including financial or intangible losses, loss of profits, income, data, pleasure from use of the product or other products related with it - indirect, incidental or consequential loss or damage. The above provisions apply whether the loss or damage concerns:

1. Deterioration of quality or the lack of operation of the products or products related with it due to damage as well as the lack of access to the product when it is undergoing repair, which results in stoppage the loss of user's time or a break in business activity;
2. Improper results of operation of the product or products related with it;
3. It applies to losses and damages according to any legal category, including negligence and other losses, termination of a contract, expressed or implied guarantee and strict liability (even if the manufacturer or the supplier was notified about the possibility of occurrence of such damages).

### Safety measures:

Particular attention at designing was directed to quality standards of the device where ensuring safety of operation is the most important factor.

The device must be secured against contact with caustic, staining and viscous fluids.

The device was designed in such a way that it restarts operation when power supply is restored after a break.

**Attention! We recommend using protections to further protect the device from possible overvoltages in installations. Surge protectors are effective protection against accidental pass to the device voltages higher than the rated. Damages caused by pass the voltages higher than specified in manual, are not under warranty.**

Turn off the device before transporting it.

Prior to connecting the device to a power source check whether the supplied voltage is consistent with rated voltage specified in the user manual.

### Proper product disposal:

A marking of a crossed out waste bin indicates that the product may not be disposed together with other household waste in the entire EU. To avoid possible damage to the natural environment of health due to uncontrolled waste disposal, therefore, it should be handed over for recycling, propagating in this way sustainable use of natural resources.

To return a worn-out product, use a collection and disposal system of this type of equipment or contact a seller from whom it was purchased. He will then be recycled in an environmentally-friendly way.

The surveillance kit includes 4 cameras, Wi-Fi DVR (without hard disk) and 4 power adapters DC 12V/1A for independent camera power supply.

Network Video Recorder allowing to operate with Wi-Fi cameras supported 802.11 b/g/n standards. The menu options layout has been designed for all users, even beginners can easy navigate and change parameters in DVR settings without any problem.

IP camera with efficient H.264 / H.265 image compression algorithm for clear and smooth video streaming at maximal resolution of 1080p. Camera is according to IP67 Index of Protection norm.



Standard:	IP
Supported resolutions:	max. 1080p - 1920 x 1080 px
Video outputs:	1 pcs HDMI 1 pcs VGA
Audio support:	4 Channels - Audio from cameras
Audio outputs:	1 pcs CINCH
Image compression method:	H.265+ / H.265 / H.264+ / H.264
Bitrate:	max. 40 Mbps
Supported hard drives:	1 x 6 TB SATA (not included)
Recording modes:	Manual, Motion Detection, Schedule
External storage devices backup:	Backup to USB drive (pendrive, external drive)
Searching and playback the records:	Records searching: by time and events type. Records playback: forward, backward, fast, slow Advanced searching (to the one second accuracy) 1/4 channel synchronous playback
Network interface:	<ul style="list-style-type: none"> <li>• 1 x RJ-45 10/100 Base-TX</li> <li>• 2.4 GHz Wi-Fi - IEEE 802.11 b/g/n</li> </ul>
Network functions:	<ul style="list-style-type: none"> <li>• Built-in Wi-Fi module : Smart, auto-paring, Remote configuration, Remote management</li> <li>• Full support via network, Remote records copying, Web-Server built-in</li> </ul>
Default IP address:	192.168.1.30
Default admin user / password:	admin / 123456



# User Manual

Code: BCS-B-KITW(2.0)

SURVEILLANCE KIT **BCS-B-KITW(2.0)** Wi-Fi, 4 CHANNELS - 1080p 2.8 mm BCS

Web browser access ports:	80, 554
PC client access ports:	Port no.: 80 or access by a cloud (P2P)
Mobile phones support:	Port no.: 80 or access by a cloud (P2P) <ul style="list-style-type: none"><li>• Android: Free application <a href="#">BCS Manager</a></li><li>• iOS (iPhone): Free application <a href="#">BCS Manager</a></li></ul>
Motion Detection:	✓
Intelligent image analysis:	—
Mouse support:	✓
Main features:	<ul style="list-style-type: none"><li>• Smart, auto-pairing &lt; 180 s</li><li>• Alarm notifications</li></ul>
Power supply:	12 V DC / 1.5 A (power adapter included)
Power consumption:	≤ 10 W (without HDD)
Operation temp:	-10 °C ... 55 °C
Weight:	0.532 kg
Dimensions:	225 x 205 x 160 mm
Supported languages:	Polish, English

## CAMERA:

Standard:	IP
Sensor:	1/2.9 " Progressive Scan CMOS
Matrix size:	2 Mpx
Resolution:	1920 x 1080 - 1080p
Lens:	2.8 mm
View angle:	101 °
Range of IR illumination:	30 m
Audio:	<ul style="list-style-type: none"><li>• Microphone built-in,</li><li>• Audio transmission via network</li></ul>
Image compression method:	H.265+ / H.265 / H.264+ / H.264
Main stream frame rate:	25 fps @ 1080p
Network interface:	<ul style="list-style-type: none"><li>• Ethernet : 100 Mbps</li><li>• Wi-Fi IEEE 802.11 b/g/n - 2.4 GHz</li></ul>
WEB Server:	—
Default admin user / password:	admin / 123456
Default IP address:	192.168.1.13
Memory card slot:	Micro SD card support up to 256GB
Power supply:	12 V DC / 1 A (power adapter included)
Power consumption:	≤ 12 W
"Index of Protection":	IP67

Housing:	Compact - Plastic
Weight:	0.25 kg
Dimensions:	172 x 76 x 72 mm
<b>General information:</b>	
Connecting cable:	—
Manufacturer / Brand:	BCS
Guarantee:	2 years

DVR:



Top view:



Rear view:



CAMERA:



Front view:



Side view:



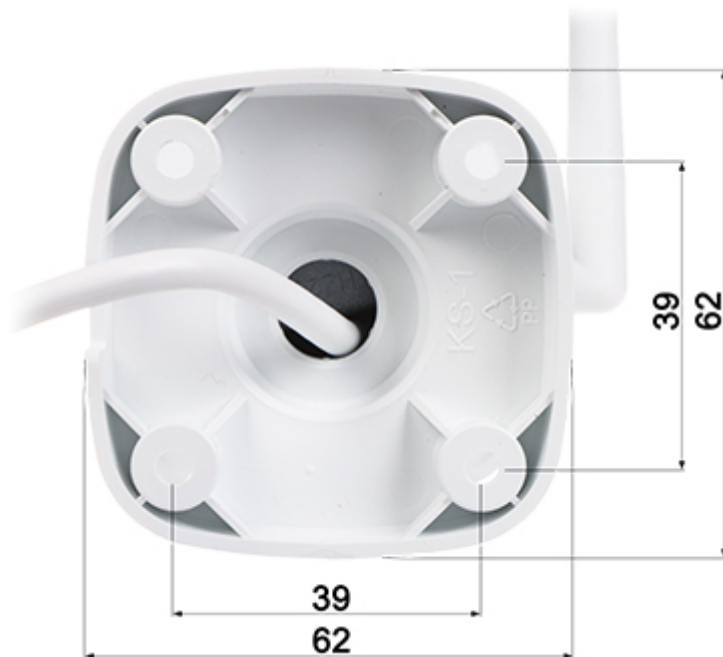
Bottom view:



Memory card slot and "Reset" button:



Mounting side view:



In the kit:



## PACKAGE





# User Manual

Code: BCS-B-KITW(2.0)

SURVEILLANCE KIT **BCS-B-KITW(2.0)** Wi-Fi, 4 CHANNELS - 1080p 2.8 mm BCS

---

Dimensions (L x W x H): 0x0x0 mm
----------------------------------

Gross Weight: 0 kg
--------------------