



User Manual

Code: S1401D-SKM

VIDEO DOORPHONE INTEGRATED WITH MAILBOX **S1401D-SKM** VIDOS

Warning!

Please read the user manual included in this work as it contains important information related with safety of installation and use of the device.

Only persons who read the user manual may use the device.

The user manual must be kept because it may be required in the future. The device is to be used exclusively for purposes specified in this user manual.

The device must be unpacked prior to starting-up. After removing the packaging make sure the device is in working order.

If the product has defects, it should not be used until it is repaired.

The product is intended for use at home and commercial use and may not be used for other than intended use.

The manufacturer is not liable for damages resulting from not adhering to the rules contained in the user manual, therefore, we recommend to follow the aforementioned safety rules for operation and maintenance of the device. In this way you will ensure yourself safety and avoid causing damage to the device.

The manufacturer and the supplier are not liable for losses or damages arising out of the product, including financial or intangible losses, loss of profits, income, data, pleasure from use of the product or other products related with it - indirect, incidental or consequential loss or damage. The above provisions apply whether the loss or damage concerns:

1. Deterioration of quality or the lack of operation of the products or products related with it due to damage as well as the lack of access to the product when it is undergoing repair, which results in stoppage the loss of user's time or a break in business activity;
2. Improper results of operation of the product or products related with it;
3. It applies to losses and damages according to any legal category, including negligence and other losses, termination of a contract, expressed or implied guarantee and strict liability (even if the manufacturer or the supplier was notified about the possibility of occurrence of such damages).

Safety measures:

Particular attention at designing was directed to quality standards of the device where ensuring safety of operation is the most important factor.

The device must be secured against contact with caustic, staining and viscous fluids.

The device was designed in such a way that it restarts operation when power supply is restored after a break.

Attention! We recommend using protections to further protect the device from possible overvoltages in installations. Surge protectors are effective protection against accidental pass to the device voltages higher than the rated. Damages caused by pass the voltages higher than specified in manual, are not under warranty.

Turn off the device before transporting it.

Prior to connecting the device to a power source check whether the supplied voltage is consistent with rated voltage specified in the user manual.

Proper product disposal:

A marking of a crossed out waste bin indicates that the product may not be disposed together with other household waste in the entire EU. To avoid possible damage to the natural environment of health due to uncontrolled waste disposal, therefore, it should be handed over for recycling, propagating in this way sustainable use of natural resources.

To return a worn-out product, use a collection and disposal system of this type of equipment or contact a seller from whom it was purchased. He will then be recycled in an environmentally-friendly way.

Video doorphone integrated with one-way mailbox. The box is designed for mounting in a fence post or wall. Thanks to the use of the highest quality materials, it is resistant to weather conditions. The video doorphone has been equipped with a color camera with the possibility of adjusting horizontally and vertically in the range of several degrees.

The S1401D-SKM is dedicated for cooperation with video doorphones and panels compatible with the VIDOS DUO digital system.



Compatibility:	VIDOS DUO
Sensor:	1/2.7", 2.0 Mpx
View angle:	170 °
IR illuminator:	—
LED illuminator:	✓
Fingerprint reader built-in:	—
proximity reader built-in:	—
Built-in keypad:	✓
The number of subscribers served:	1
Video output:	compatible with the VIDOS DUO digital video doorphone system
Main features:	<ul style="list-style-type: none"> • Integrated mailbox - Through • Fisheye lens • Wiring - 2 wires without polarity • Relay output : 1 pcs or 2 pcs - B5 Module • Support up to 12 indoor devices (monitors / uniphones) • Touch control keys • Illuminated buttons and signboard for the surname • PIR detectors support • Permanent or cyclical zoom-up of the observed image • Electric strikes and electromagnetic locks support • Electric lock supply: 12V DC / max. 300mA • Call start and lock opening indicator
Power supply:	24 V DC

Power consumption:	≤ 3 W (operation) ≤ 0.8 W (Standby mode)
Housing:	<ul style="list-style-type: none"> • Stainless steel - Front panel, Rear panel • Steel galvanized - Drawer
Color:	Silver
"Index of Protection":	IP54
Operation temp:	-18 °C ... 55 °C
Weight:	4.54 kg
Dimensions:	<ul style="list-style-type: none"> • Front panel : 285 x 350 mm • Rear panel : 260 x 110 mm • Adjustable depth of the box : 260 ... 410 mm
Manufacturer / Brand:	VIDOS
Guarantee:	3 years

Front panel:

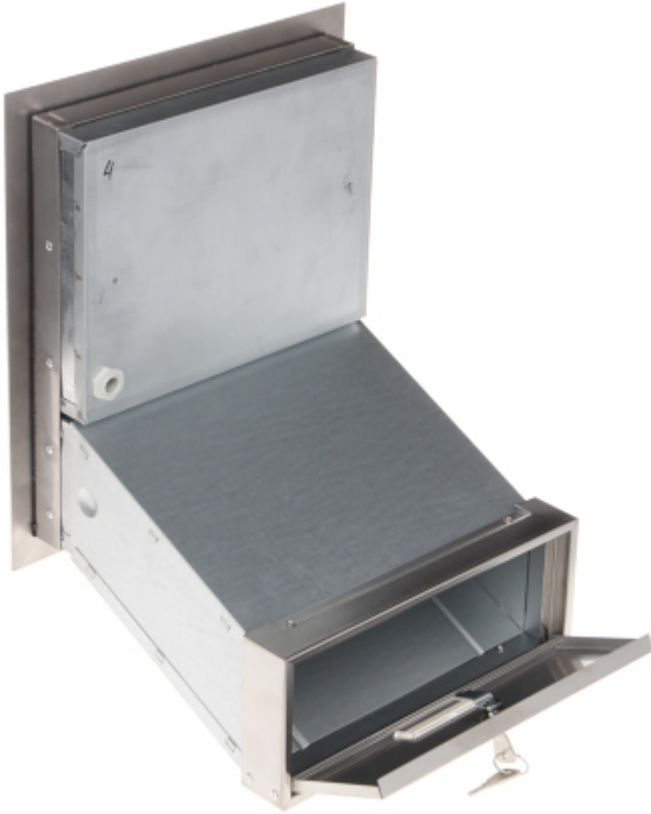


View after removing the front panel:



Rear view:





The depth of the box is adjustable:



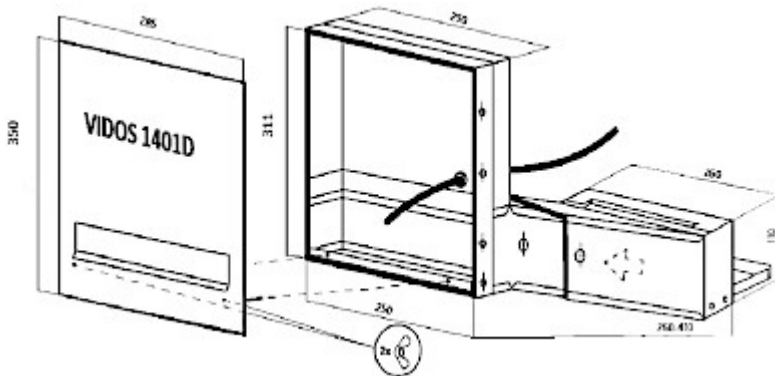
Front panel - view from the wall side:



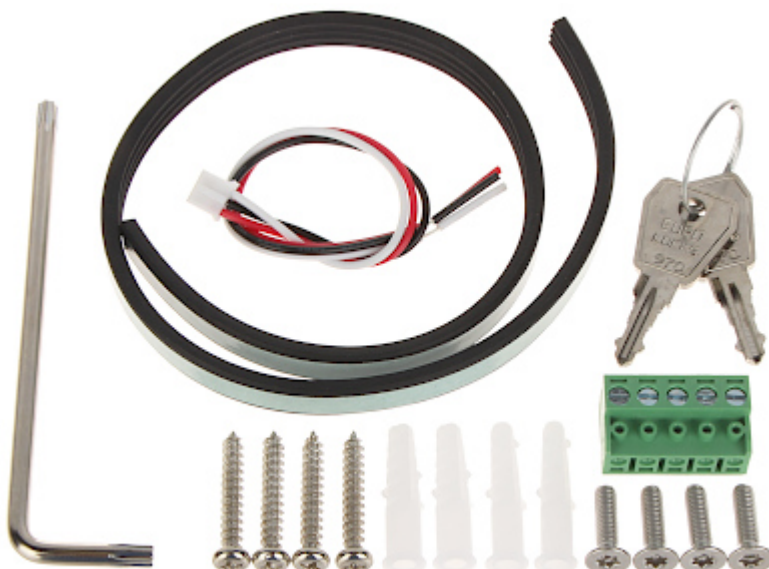
Connectors description:



Dimensions:



In the kit:





User Manual

Code: S1401D-SKM

VIDEO DOORPHONE INTEGRATED WITH MAILBOX **S1401D-SKM** VIDOS

PACKAGE

Dimensions (L x W x H): 0x0x0 mm	Gross Weight: 0 kg
----------------------------------	--------------------

