

Code: FP05101

## ACOUSTIC GLASSBREAK DETECTOR **FP05101** PYRONIX

Net: **18.72 USD** Gross: **23.03 USD**



Sensor signals an alarm on registering a low-frequency tone (impact sound), followed by a high-frequency tone (sound of broken glass). It is an omni-directional sensor that can be installed in a convenient place without having to set it perpendicular to the protected surface.

A unique frequency detection algorithm, used in FP05101, eliminates interferences that cause false alarms and focuses only on relevant frequencies.

### SPECIFICATION

Detection:	Glass break detector
Range:	8 m
Sensitivity adjustment:	✓
Alarm signaling:	3 LED diodes, Signal to control panel
Maximal outputs load:	50 mA / 60 V DC, 42 V AC RMS
Power supply:	9 ... 16 V DC / 30 mA at 12 V
Alarm output:	NC
Main features:	<ul style="list-style-type: none"><li>• Detection of breaking or flexing of flat, coated, tempered, wired, laminated, stained, leaded, double glazing glass</li><li>• Advanced dual-path microprocessor signal analysis</li><li>• Autodiagnostic feature</li><li>• The operation of the detector is based on a high-quality omni-directional electret microphone</li><li>• Latch mode - enables the detector which has triggered the alarm to be identified in the case where there is more than one detector connected to one zone (input)</li></ul>
Color:	White
Operation temp:	-30 °C ... 50 °C
Weight:	0.09 kg
Dimensions:	Ø 90 x 37 mm
Manufacturer / Brand:	PYRONIX
Guarantee:	2 years

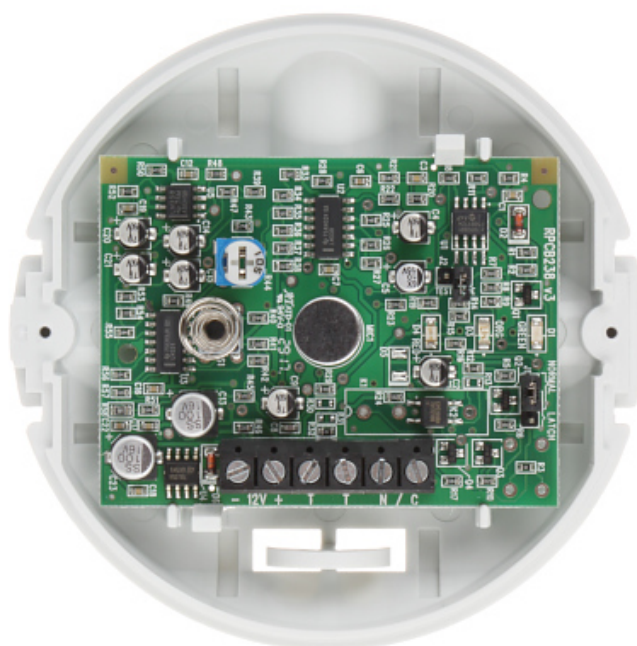
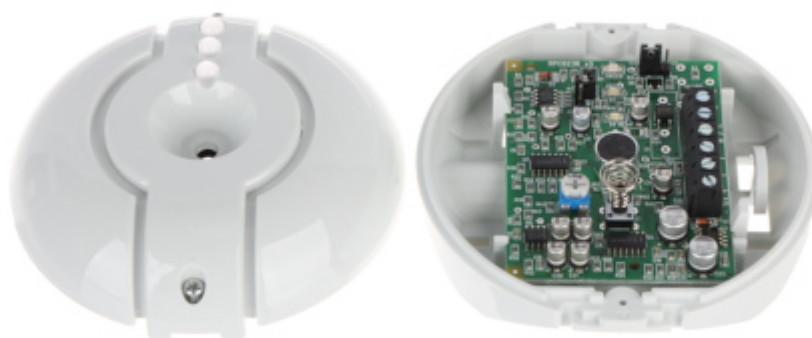
DELTA-OPTI Monika Matysiak / VAT:PL5251295225 / 60-713 Poznań, ul. Graniczna 10  
Tel:+48 61 864 69 60 / GSM:+48 607 60 11 66 / Fax:+48 61 864 69 65 / e-mail:shop@delta.poznan.pl  
Monday-Friday: 8.00-19.00 / Saturday: 8.00-14.00

## PRESENTATION

Bottom view:



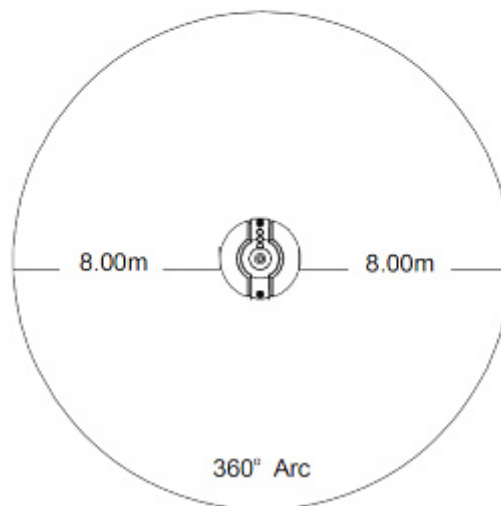
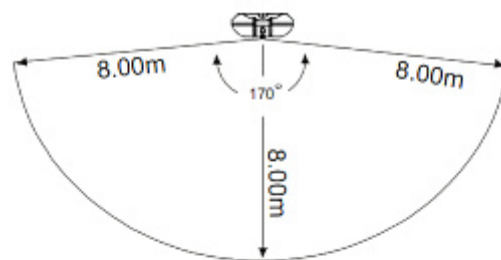
View after remove the cover:



Rear view:



Detector range:



In the kit:



## PACKAGE

Dimensions (L x W x H): 110x95x50 mm	Package: Karton	Gross Weight: 0.12 kg
--------------------------------------	-----------------	-----------------------



DELTA-OPTI Monika Matysiak / VAT:PL5251295225 / 60-713 Poznań, ul. Graniczna 10  
Tel:+48 61 864 69 60 / GSM:+48 607 60 11 66 / Fax:+48 61 864 69 65 / e-mail:shop@delta.poznan.pl  
Monday-Friday: 8.00-19.00 / Saturday: 8.00-14.00