

Code: TRO-8/400PV-RACK

VIDEO BALUN TRO-8/400PV-RACKNet: **984.00 PLN** Gross: **1 210.32 PLN**

The TRO-8/400PV-RACK is designed to power with DC voltage and receive video signals from 8 TRN-1/400 devices (video baluns - transmitters) via twisted pair cable (UTP, FTP) over a distance up to 400 meters. The TRO-8/400PV-RACK overvoltage limiter effectively protects signal line carrying away the stroke current to the ground, due to above provides adequate overvoltage protection for electronic devices.

Video signals from cameras connected to the TRN-1/400 transmitter inputs are sent to the TRO-8/400PV-RACK receiver via twisted-pair cable. Both transmitter and receiver units adapt 75Ω coaxial cable impedance to twisted-pair cable impedance, what guarantees the video signal transmission up to 400 meters. The TRO-8/400PV-RACK receiver supplies un-stabilized voltage (maximal up to 40V DC) to twisted-pair cable, and the TRN-1/400 transmitter converts it into 12V DC stabilized voltage, what enables power the cameras with thermostat.

All parameters concern twisted-pair cable category 5 with copper wires 0,5mm diameter (24 AWG).

**SPECIFICATION**

Standard:	<ul style="list-style-type: none"> • AHD - 5 Mpx, • HD-CVI - 8 Mpx 4K UHD, • HD-TVI - 8 Mpx 4K UHD, • CVBS - PAL, NTSC
Input voltage:	230 V AC
Device type:	Active / Receiver
Number of channels:	8 Video + DC
Coaxial socket voltage range 75Ω (CVBS):	1 Vpp
Output current:	2 A @ LINE 1 ... 4 2 A @ LINE 4 ... 8
Video transmission range:	<ul style="list-style-type: none"> • 250 m @ 720p - UTP cat. 5e • 150 m @ 1080p - UTP cat. 5e • 400 m @ CVBS - PAL / NTSC - UTP cat. 5e
LED indication:	The green LEDs PWR-1 or PWR-2 inform about the FUSE has gone The red LEDs I-MAX are on when there is a current overload greater than 2A
Output voltage:	max. 40 V
Attenuation:	<ul style="list-style-type: none"> • 4.43 MHz @ 0.73 dB • 11 MHz @ 1.24 dB • 21 MHz @ 2.16 dB • 38 MHz @ 3.35 dB • 42 MHz @ 3.54 dB • 67.5 MHz @ 3.72 dB
Main features:	Delayed fuse 5 x 20 4 A / 250 V
Symmetrical socket impedance:	100 Ω
Power overvoltage limiter:	1000 V
Maximum stroke current (8/20μS):	5 kA
Grounding:	5mm screw
Video overvoltage limiter:	
RJ-45 connector protected wires:	1 ... 6 7 ... 8
Connectors type:	8 x BNC Socket Video

DELTA-OPTI Monika Matysiak; <https://www.delta.poznan.pl>
POL; 60-713 Poznań; Graniczna 10
e-mail: delta-opti@delta.poznan.pl; tel: +(48) 61 864 69 60

Threshold voltage (wire-wire):	> 47 V > 2.4 V
Symmetrical socket type:	8 x RJ-45 (8-pin, 4 pairs) Socket
Threshold voltage (wire / ground):	> 47 V > 18.4 V
Reaction time:	15 ns 15 ns
Capacity:	< 7 pF
Housing type:	RACK 19", 1U
Permissible relative humidity:	< 95 %
Operation temp:	-50 °C ... 55 °C
Power supply distance:	<p>LINE 1 ... 4 420 m @ 4 x 750 mA 440 m @ 3 x 750 mA + 1200 m @ 1 x 250 mA 480 m @ 2 x 750 mA + 1400 m @ 2 x 250 mA 480 m @ 1 x 750 mA + 1500 m @ 3 x 250 mA 1700 m @ 4 x 250 mA</p> <p>LINE 5 ... 8 420 m @ 4 x 750 mA 440 m @ 3 x 750 mA + 1200 m @ 1 x 250 mA 480 m @ 2 x 750 mA + 1400 m @ 2 x 250 mA 480 m @ 1 x 750 mA + 1500 m @ 3 x 250 mA 1700 m @ 4 x 250 mA</p>
Weight:	4.200 kg
Dimensions:	483 x 44 x 245 mm
Guarantee:	3 years
Manufacturer / Brand:	DELTA

PRESENTATION

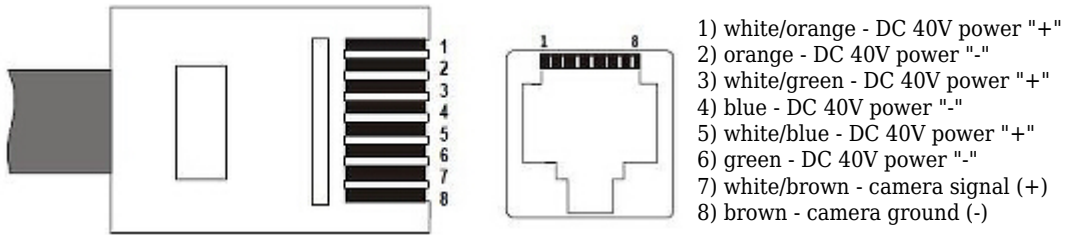
Front panel:



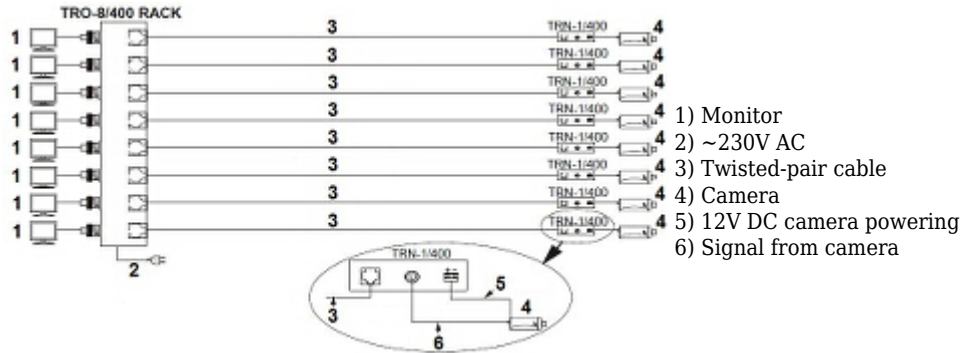
Rear view:



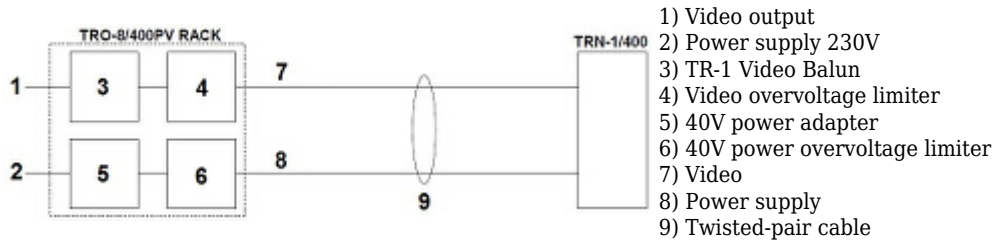
Wiring sequence inside the RJ-45 plug:



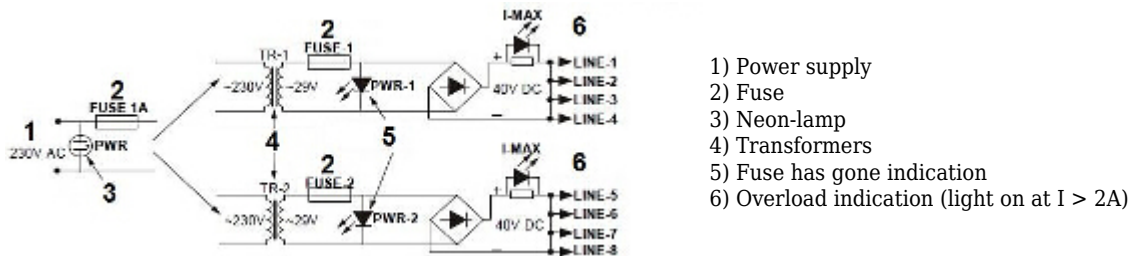
Connection diagram:



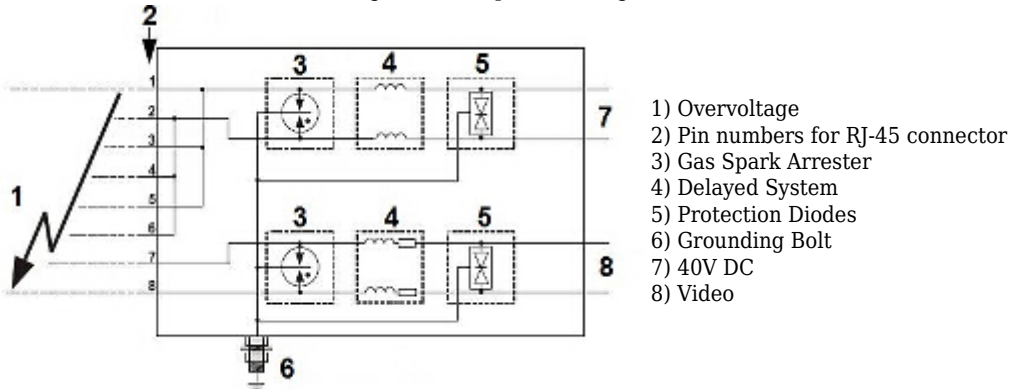
Block diagram:



Voltage outputs operation diagram:



Overvoltage limiters operation diagram:



In the kit:



OUR TESTS

Amplitude - frequency response - 2 transformers connected briefly (RF PWR OUT = 0 dBm):

