

Code: PTZ19245U-IRB-N-B

IP SPEED DOME CAMERA OUTDOOR **PTZ19245U-IRB-N-B** - 1080p 3.95 ... 177.7 mm DAHUA

Net: **3 600.41 EUR** Gross: **4 428.50 EUR**



Intelligent 3D Positioning System.

The biggest advantage of the camera is the lens with x45 optical zoom, which together with long range IR illuminator allow to 24 hours surveillance without any additional lighting even at area of several hundred meters. Due to above it is perfect solution for surveillance systems requiring persons or vehicles recognition.

The range of IR illumination according to the manufacturer data, depends on outer conditions (visibility - air transparency, environment, wall colors ie. scene reflectance).

For a few models of IP cameras working at $\geq 1920 \times 1080$ resolution we recommend to use of network with 1Gb/s bandwidth.

Output of the camera cables is designed from the bottom of the base.

SPECIFICATION

Standard:	TCP/IP
Sensor:	1/2.8 " STARVIS™ CMOS
Matrix size:	2.1 Mpx
Resolution:	1920 x 1080 - 1080p 1280 x 960 - 1.3 Mpx 1280 x 720 - 720p
Scanning system:	Progressive
Lens:	3.95 ... 177.7 mm
View angle:	<ul style="list-style-type: none">• 70 ° ... 1.8 ° (manufacturer data)• 65 ° ... 1.9 ° (our tests result)
Optical zoom:	x 45
Digital zoom:	x 16
Range of IR illumination:	350 m
S/N ratio:	> 55 dB (AGC off)
Video output:	1 Vpp / 75 Ω
Preset rotation speed:	max. 120 °/s (horizontal) max. 60 °/s (vertical)
Rotation speed (manual control):	0.1 °/s ... 120 °/s (horizontal) 0.1 °/s ... 60 °/s (vertical)

DELTA-OPTI Monika Matysiak; <https://www.delta.poznan.pl>
POL; 60-713 Poznań; Graniczna 10
e-mail: delta-opti@delta.poznan.pl; tel: +(48) 61 864 69 60

Horizontal rotation range:	360 ° continuous
Vertical rotation range:	-55 ° ... 223 °
RS-485 interface:	✓
Protocols:	Pelco-D, Pelco-P, DH-SD Auto detection
Number of presets:	300
Horizontal scan:	✓
Route settings:	8
Image compression method:	H.265+ / H.265 / H.264+ / H.264 / MJPEG
Bitrate:	448 ... 8192 kbps - H.264 / H.265
Alarm inputs / outputs:	7 / 2
Audio:	<ul style="list-style-type: none"> • Audio input • Audio output • Bi-directional audio streaming support • Audio detection
Main stream frame rate:	1 ... 50 fps @ 1080p
Network interface:	10/100 Base-T (RJ-45)
Network protocols:	IPv4/IPv6, HTTP, HTTPS, SSL, TCP/IP, UDP, UPnP, ICMP, IGMP, SNMP, RTSP, RTP, SMTP, NTP, DHCP, DNS, PPPoE, DDNS, FTP, IP Filter, QoS, Bonjour, IEEE 802.1x, Multicast
WEB Server:	Built-in, NVR compliance
Max. number of on-line users:	20
ONVIF:	16.12 - Profile S, G, ONVIF CGI
Mobile phones support:	Port no.: 37777 or access by a cloud (P2P) <ul style="list-style-type: none"> • Android: Free application DMSS • iOS (iPhone): Free application DMSS
Memory card slot:	Micro SD memory cards up to 256GB support (possible local recording)
Main features:	<ul style="list-style-type: none"> • Intelligent Object Tracking • EIS - Electronic Image Stabilization • WDR - 120 dB - Wide Dynamic Range • 2D-DNR, 3D-DNR - Digital Noise Reduction • F-DNR (Defog) - Reduction of image noise caused by precipitation • ROI - improve the quality of selected parts of image • Power Up Action - execution the required camera function after power up • Day/Night mode (color/b&w/auto) • BLC/HLC - Back Light / High Light Compensation • WB - White Balance (ATW/AWB/manual/indoor/outdoor) • ICR - Movable InfraRed filter • Configurable Privacy Zones - 24 • Audio detection • Sharpness - sharper image outlines • Mirror - Mirror image • Multicast - Unlimited number of clients • Wiper - Control the wiper via TCP/IP • Heat map - the selection in the image by corresponding colors the areas with different traffic • IVS analysis : crossing the line (tripwire), intrusion, abandoned/missing object, face detection, scene changing • Corrosion protection in accordance with the requirements of NEMA 4X
Power supply:	<ul style="list-style-type: none"> • Hi-PoE, • 24 V AC / 5 A (power adapter included)
Power consumption:	≤ 40 W
Housing:	Metal
Color:	White
"Index of Protection":	IP68

Operation temp:	-40 °C ... 70 °C
Weight:	9.7 kg (with bracket)
Dimensions:	Ø 234 x 205 mm x 405.5 mm
Supported languages:	Polish, English
Manufacturer / Brand:	DAHUA
Guarantee:	3 years

PRESENTATION

Front view:



Rear view:



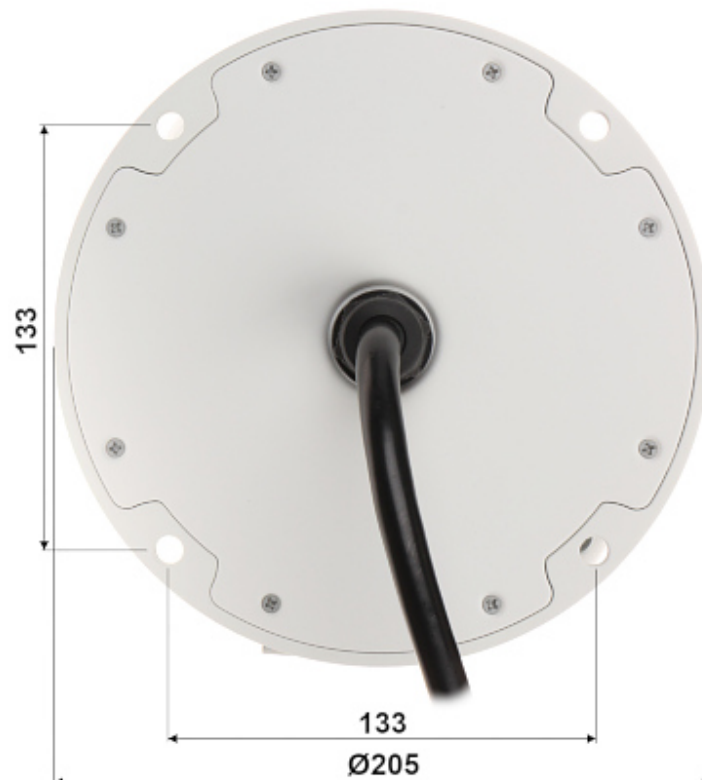
On the body, under the cover there are placed configuration switches:



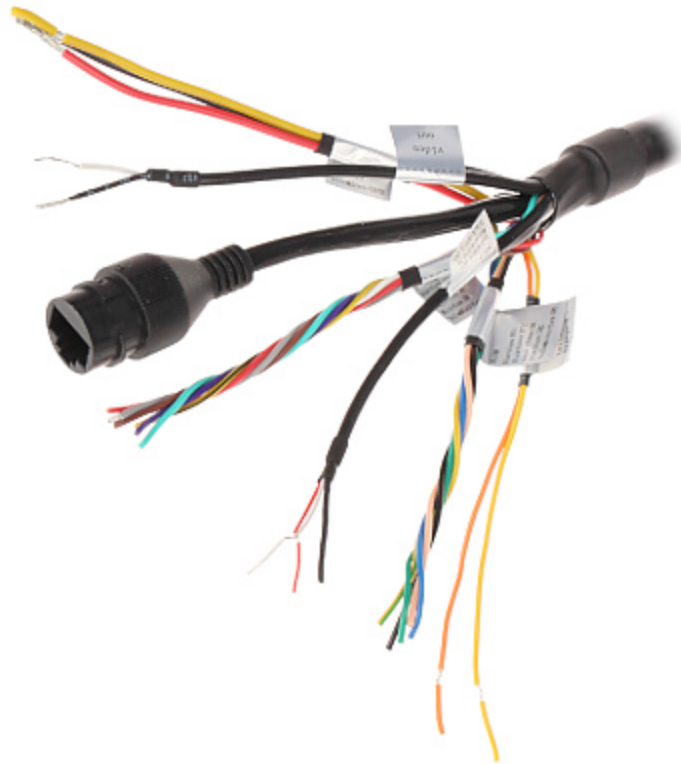
Grounding:



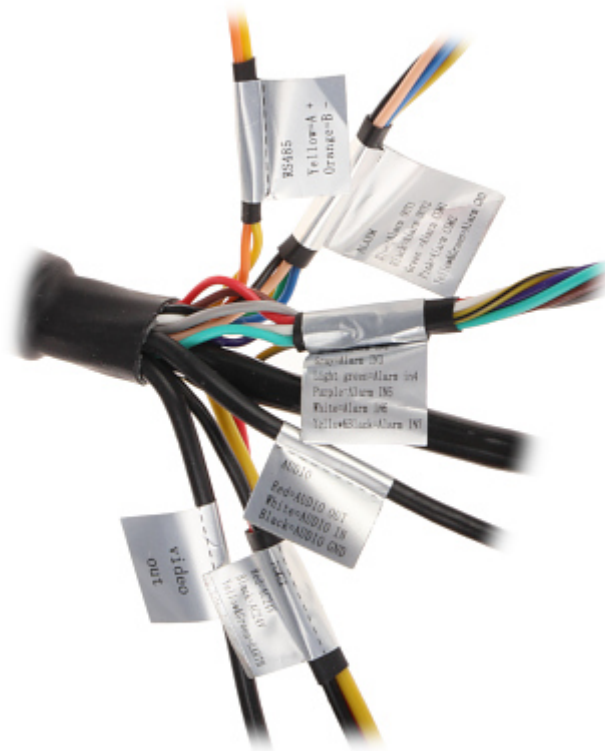
Bottom view:



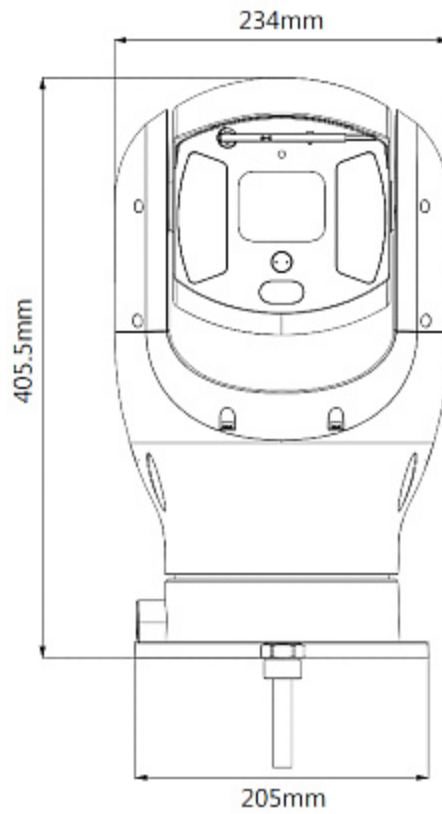
Camera connectors:



Connectors description:



Dimensions:



See how to initialize DAHUA cameras:

:

In the kit:



OUR TESTS

Camera image at artificial illumination (about 30Lux):



DELTA-OPTI Monika Matysiak; <https://www.delta.poznan.pl>
POL; 60-713 Poznań; Graniczna 10
e-mail: delta-opti@delta.poznan.pl; tel: +(48) 61 864 69 60

Camera image at night conditions with internal built-in IR illuminator on:



Camera image at direct strong light opposite to camera:

