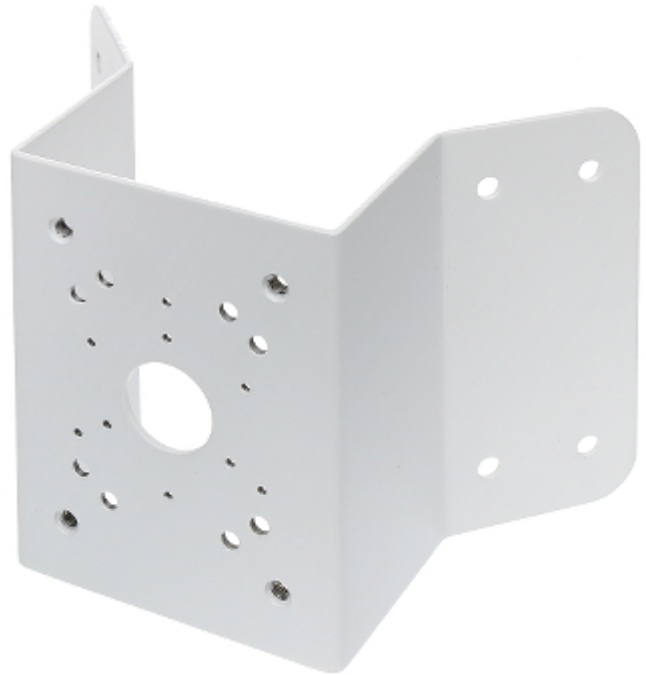


Code: PFA151

CAMERA CORNER BRACKET **PFA151** DAHUA

Net: **31.76 USD** Gross: **39.06 USD**

Camera bracket, which enables camera installation on the building corner.

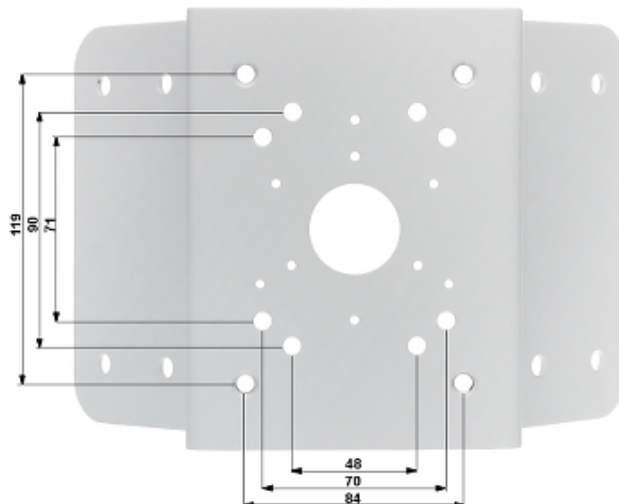


SPECIFICATION

Suitable for cameras:	DAHUA - documentation for download below.
Material:	Steel galvanized
Color:	White
Weight:	1.73 kg
Dimensions:	240 x 170 x 138 mm
Manufacturer / Brand:	DAHUA
Guarantee:	3 years

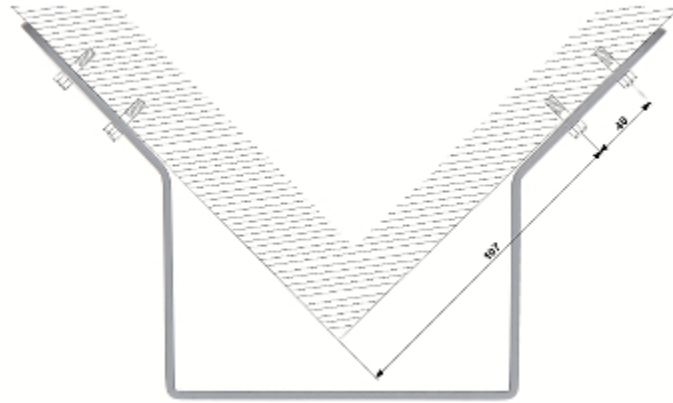
PRESENTATION

Camera mounting side view:

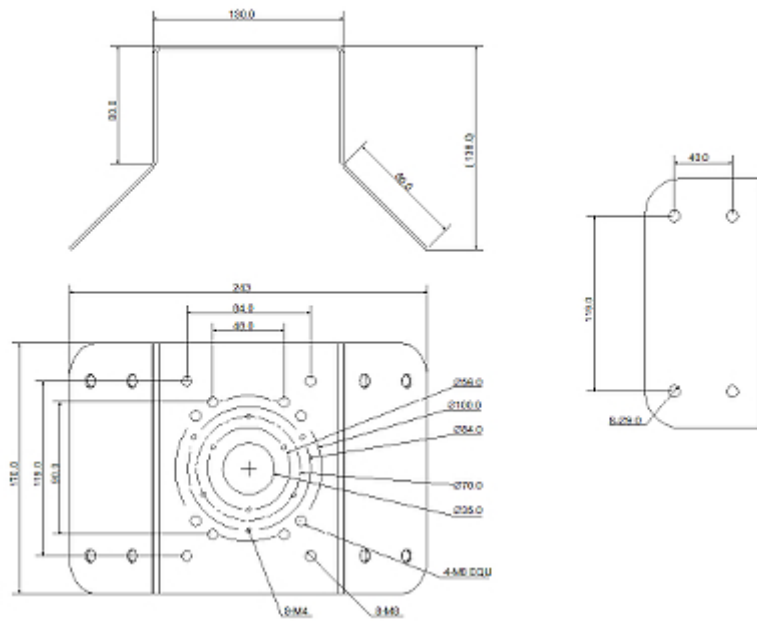


DELTA-OPTI Monika Matysiak; <https://www.delta.poznan.pl>
POL; 60-713 Poznań; Graniczna 10
e-mail: delta-opti@delta.poznan.pl; tel: +(48) 61 864 69 60

Top view:



Dimensions:



In the kit:

