

Code: APTI-H83C6-2812W

AHD, HD-CVI, HD-TVI, PAL CAMERA **APTI-H83C6-2812W** - 8.3 Mpx, 4K UHD 2.8 ... 12 mm

Net: **328.00 PLN** Gross: **403.44 PLN**

Megapixel camera with 1/2.8" Sony CMOS sensor and AHD / HD-CVI / HD-TVI / PAL.

The AHD / HD-CVI / HD-TVI interface allows to transmission of analog video signal via coaxial cable in max. 8 Mpx (4K) resolution. During transmission there are no delays and is maintained the original, high quality image.

Setting the camera in PAL mode allows to obtain an image in 960H resolution. The appropriate signal format selection is done by tilting and holding the joystick for 5 s without entering to the OSD menu. Changing the signal to the NTSC in the camera causes loss of image in connected AHD/HD-CVI/HD-TVI recorder.

The range of IR illumination according to the manufacturer data, depends on outer conditions (visibility - air transparency, environment, wall colors ie. scene reflectance). Camera is according to IP66 Index of Protection norm.



SPECIFICATION

Standard:	AHD, HD-CVI, HD-TVI, CVBS
Sensor:	1/2.8 " SONY Starvis™ Back-illuminated CMOS
Matrix size:	8.3 Mpx
Resolution:	3840 x 2160 - 8.3 Mpx, 4K UHD @ AHD / HD-CVI / HD-TVI, 15 fps , 2592 x 1944 - 5.0 Mpx @ AHD / HD-TVI, 20 fps / 12.5 fps , 2560 x 1440 - 4.0 Mpx @ AHD / HD-TVI / HD-CVI, 25 fps / 30 fps , 1920 x 1080 - 1080p @ AHD / HD-TVI / HD-CVI, 25 fps / 30 fps , 960 x 576 - 960H @ CVBS
Range of IR illumination:	60 m
IR illuminator power adjustment:	Automatic
Lens:	2.8 ... 12 mm
View angle:	• 87 ° ... 24 ° (manufacturer data) • 87 ° ... 37 ° (our tests result)
S/N ratio:	> 50 dB
Video output:	1 Vpp 75 Ω, AHD / HD-CVI / HD-TVI / CVBS - Via OSD, selectable by switch
Main features:	<ul style="list-style-type: none">• D-WDR - Wide Dynamic Range• 3D-DNR - Digital Noise Reduction• BLC - Back Light Compensation• ICR - Movable InfraRed filter• AGC - Automatic Gain Control• Auto White Balance• Day/Night mode - configurable• Sharpness - sharper image outlines
OSD menu:	✓
Power supply:	12 V DC / 560 mA
Power consumption:	≤ 6.7 W

DELTA-OPTI Monika Matysiak; <https://www.delta.poznan.pl>
POL; 60-713 Poznań; Graniczna 10
e-mail: delta-opti@delta.poznan.pl; tel: +(48) 61 864 69 60

Housing:	Compact - Metal
Color:	White
"Index of Protection":	IP66
Operation temp:	-20 °C ... 50 °C
Weight:	1.27 kg
Dimensions:	307 x 102 x 88 mm
Supported languages:	English
Manufacturer / Brand:	APTI
Guarantee:	2 years

PRESENTATION

Front view:



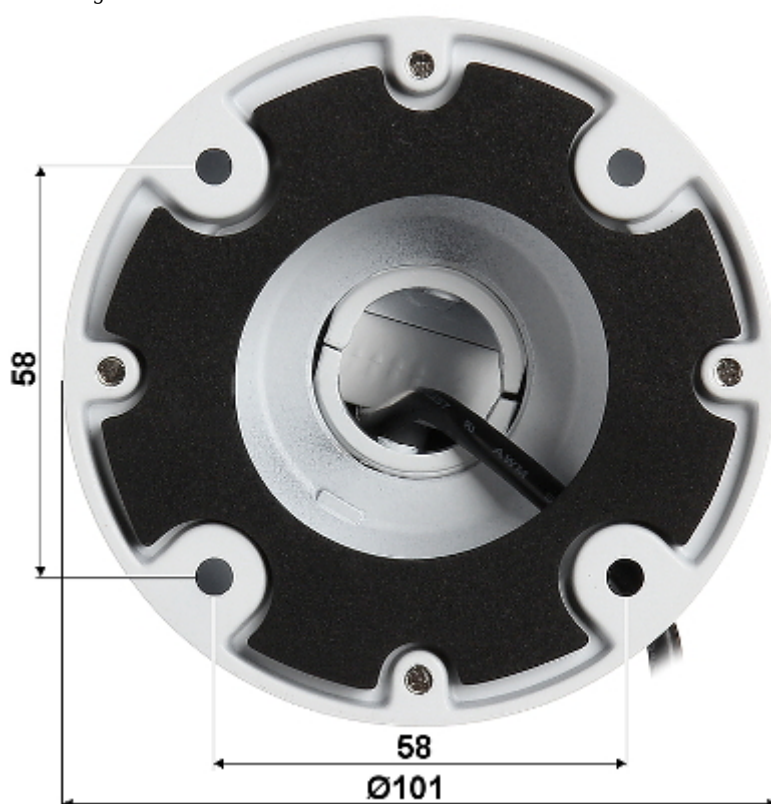
Side view:



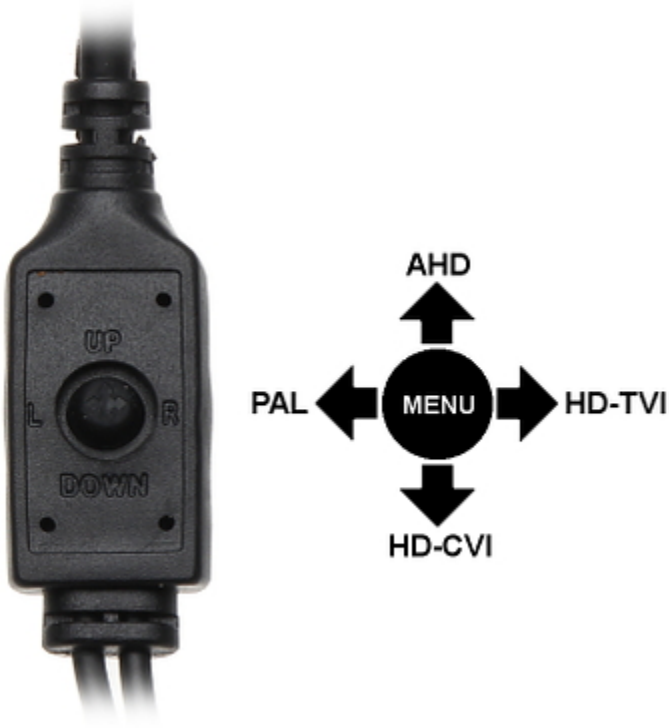
Bottom view:



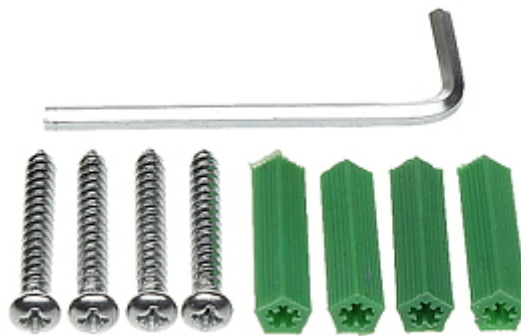
Mounting side view:



The appropriate signal format selection is done by tilting and holding the joystick for 5 s without entering to the OSD menu. Changing the signal to the NTSC in the camera causes loss of image in connected AHD recorder:



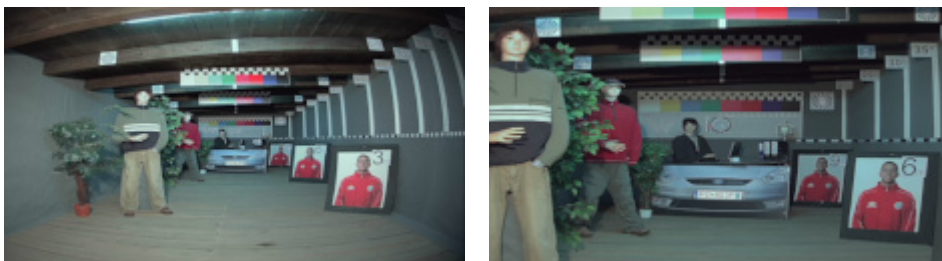
In the kit:



OUR TESTS

AHD:

Camera image at artificial illumination (about 30Lux):



Camera image at night conditions with internal built-in IR illuminator on:



DELTA-OPTI Monika Matysiak; <https://www.delta.poznan.pl>
POL; 60-713 Poznań; Graniczna 10
e-mail: delta-opti@delta.poznan.pl; tel: +(48) 61 864 69 60



Camera image at direct strong light opposite to camera:



HD-CVI:

Camera image at artificial illumination (about 30Lux):



Camera image at night conditions with internal built-in IR illuminator on:



Camera image at direct strong light opposite to camera:



HD-TVI:

Camera image at artificial illumination (about 30Lux):



Camera image at night conditions with internal built-in IR illuminator on:



Camera image at direct strong light opposite to camera:

