

Code: DS-2CE16D8T-IT3F(2.8MM)

# AHD, HD-CVI, HD-TVI, PAL CAMERA **DS-2CE16D8T-IT3F(2.8MM)** - 1080p

Hikvision

Net: **340.00 PLN** Gross: **418.20 PLN**

Megapixel camera with Progressive scan CMOS sensor and AHD / HD-CVI / HD-TVI / PAL. The HD-TVI interface allows to transmission of analog video signal via coaxial cable at resolutions up to 1080p. During transmission there are no delays and is maintained the original, high quality image.

In the case of video transmission using a twisted pair cable and matching transformers (balun), be aware of the possibility of signal reflections and interfering signals.

The 3-Axis integrated camera bracket has a regulation in all three planes, which allows to turn the camera to any direction. Camera is according to IP67 Index of Protection norm.

The change of the AHD / HD-CVI / HD-TVI / PAL standard is done with the corresponding button by keeping it pressed for approx. 5 seconds.



## SPECIFICATION

Standard:	AHD / HD-CVI / HD-TVI / PAL
Sensor:	Progressive Scan CMOS
Matrix size:	2.1 Mpx
Resolution:	1920 x 1080 - 1080p @ AHD / HD-CVI / HD-TVI 960 x 576 - 960H @ PAL
Lens:	2.8 mm
View angle:	<ul style="list-style-type: none"><li>• 104 ° (manufacturer data)</li><li>• 100 ° (our tests result)</li></ul>
Range of IR illumination:	60 m
IR illuminator power adjustment:	Automatic
Video output:	1 Vpp / 75 Ω - AHD / HD-CVI / HD-TVI / PAL, BNC socket
OSD menu:	OSD menu available via recorder
Main features:	<ul style="list-style-type: none"><li>• WDR <math>\geq</math> 130 dB - Wide Dynamic Range</li><li>• 2D-DNR, 3D-DNR - Digital Noise Reduction</li><li>• EXIR - high-efficiency infrared LEDs technology, which evenly covers the whole plan of both central vantage points of the scene as well as the corners</li><li>• ICR - Movable InfraRed filter</li><li>• BLC - Back Light Compensation</li><li>• AGC - Automatic Gain Control</li><li>• Auto White Balance</li><li>• Motion Detection - max. 4 zones</li><li>• Privacy zones - max. 4</li><li>• Mirror - Mirror image</li><li>• Sharpness - sharper image outlines</li></ul>
Power supply:	12 V DC / 280 mA
Power consumption:	$\leq$ 3.4 W

DELTA-OPTI Monika Matysiak; <https://www.delta.poznan.pl>  
POL; 60-713 Poznań; Graniczna 10  
e-mail: [delta-opti@delta.poznan.pl](mailto:delta-opti@delta.poznan.pl); tel: +(48) 61 864 69 60

Housing:	Compact, Metal
Color:	White + Black
"Index of Protection":	IP67
Operation temp:	-40 °C ... 60 °C
Weight:	0.56 kg
Dimensions:	226 x 87 x 82 mm
Supported languages:	English
Manufacturer / Brand:	Hikvision
SAP Code:	300511195
Guarantee:	<b>3 years</b>

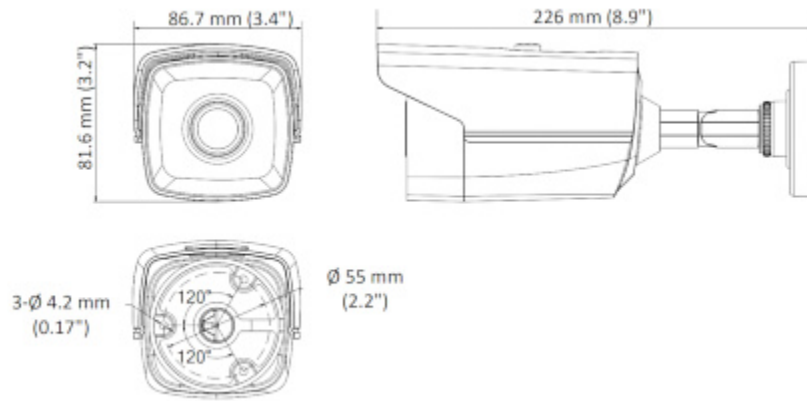
## PRESENTATION



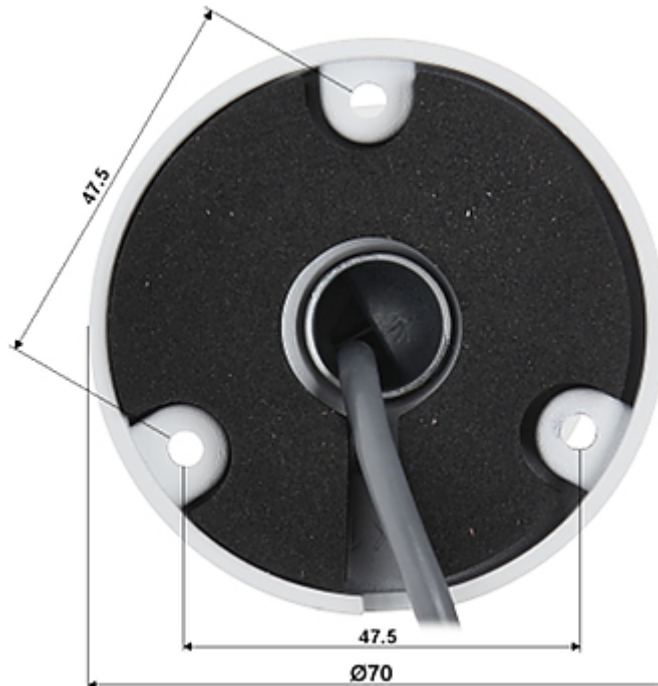
Side view:



Camera dimensions:



Mounting side view:



The change of the AHD / HD-CVI / HD-TVI / PAL standard is done with the corresponding button by keeping it pressed for approx. 5 seconds:



In the kit:



## OUR TESTS

AHD:

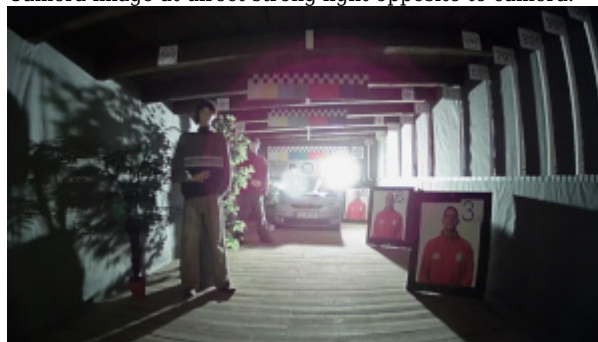
Camera image at artificial illumination (about 30Lux):



Camera image at night conditions with internal built-in IR illuminator on:



Camera image at direct strong light opposite to camera:



HD-CVI:



Camera image at artificial illumination (about 30Lux):



Camera image at night conditions with internal built-in IR illuminator on:



Camera image at direct strong light opposite to camera:



HD-TVI:

Camera image at artificial illumination (about 30Lux):



Camera image at night conditions with internal built-in IR illuminator on:





Camera image at direct strong light opposite to camera:

