

Code: ZR48-158/POE-8

8-PORT PATCH PANEL WITH POWER ADAPTER **ZR48-158/POE-8** 48 V DC 3.3 A

Net: **73.38 USD** Gross: **90.26 USD**

The ZR48-158/POE-8 is a device that combines a 48V power supply with 8-port PoE adapter. The adapter enables the introduction of the PoE supply voltage to the typical twisted-pair cable. The device allows to deliver power and data with one cable for various network devices.

To data transmission in twisted-pair cable are normally use wires 1, 2, 3 and 6. The PoE panel injects supply voltage to the 4, 5(+); 7, 8(-) pins/wires.



SPECIFICATION

Adapter type:	Switching
Power voltage:	selectable by switch • 90 V ... 132 V AC, • 180 V ... 264 V AC
Voltage frequency range:	47 ... 63 Hz
Output power:	160 W
Output voltage:	48 V DC
Output voltage adjustment:	45.6 V ... 52.8 V
Maximal load:	3.3 A 550 mA / Output
Efficiency:	89 %
MTBF (Mean Time Between Faults):	> 700000 h - Telcordia SR-332
Power supply distance:	100 m
Number of inputs:	8 pcs (RJ-45)
Number of outputs:	8 pcs (RJ-45)
Protections:	<ul style="list-style-type: none">• 8 PTC polymer fuses - 550 mA• Overvoltage• Short-circuit• Overload
Main features:	<p>Pin numbers for RJ-45 connector</p> <ul style="list-style-type: none">• DATA 1, 2 and 3, 6• Power supply 4, 5 (+) and 7, 8 (-)• Supported data rates 10 / 100 Mb/s• Maximal load for single port 550 mA
Manufacturer / Brand:	DELTA
Main features:	Polymer fuse
LED indicators:	<ul style="list-style-type: none">• red LED - power on 48 V• green LED - failed fuse
Housing type:	1 U Rack 19"
Operation temp. / Relative humidity:	-10 °C ... 70 °C / 10 % ... 80 %
Weight:	0.74 kg
Dimensions:	483 x 44 x 102 mm

DELTA-OPTI Monika Matysiak; <https://www.delta.poznan.pl>
POL; 60-713 Poznań; Graniczna 10
e-mail: delta-opti@delta.poznan.pl; tel: +(48) 61 864 69 60

PRESENTATION

Front panel:



Rear view:



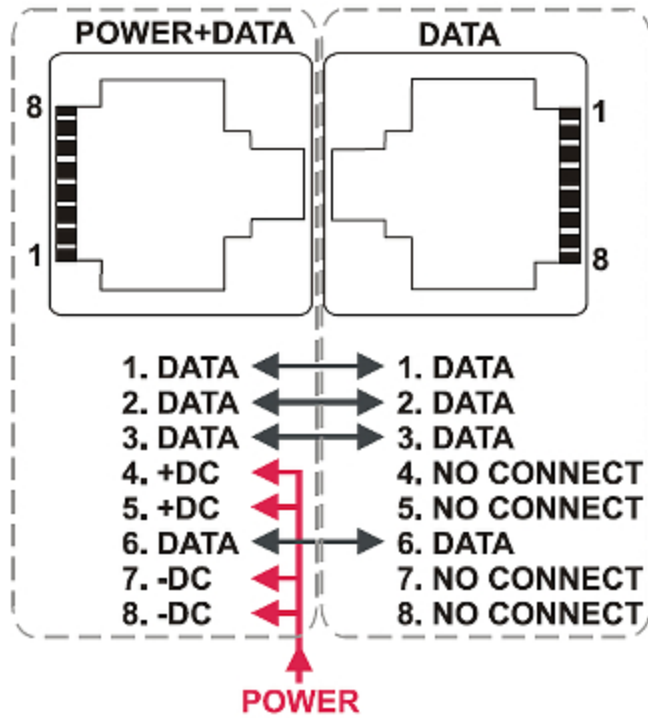
Top view:



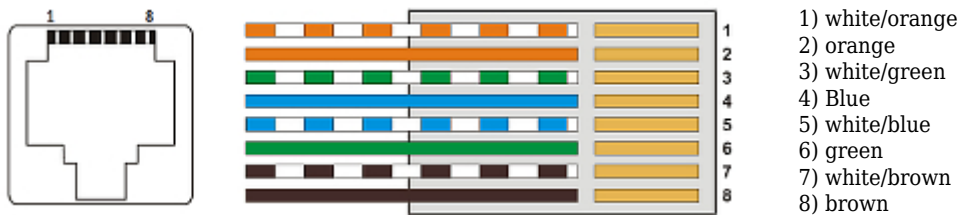
Example of application:



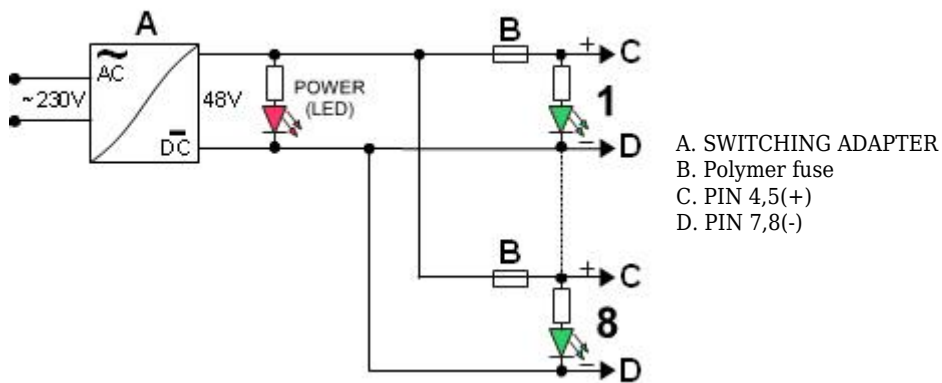
Schematic diagram:



Wiring sequence inside the RJ-45 plug. Plug wiring sequence is consistent with the T568B standard:



Schematic diagram:



In the kit:





DELTA-OPTI Monika Matysiak; <https://www.delta.poznan.pl>
POL; 60-713 Poznań; Graniczna 10
e-mail: delta-opti@delta.poznan.pl; tel: +(48) 61 864 69 60