

Code: R5-24.10

## ELECTRIC STRIKE R5-24.10

Net: 16.90 EUR Gross: 16.90 EUR



The electric strike of R5-24.10 type is designed for door and gates made from metal profiles, to work together with ratchet-latch or ratchet type door lock.

### SPECIFICATION

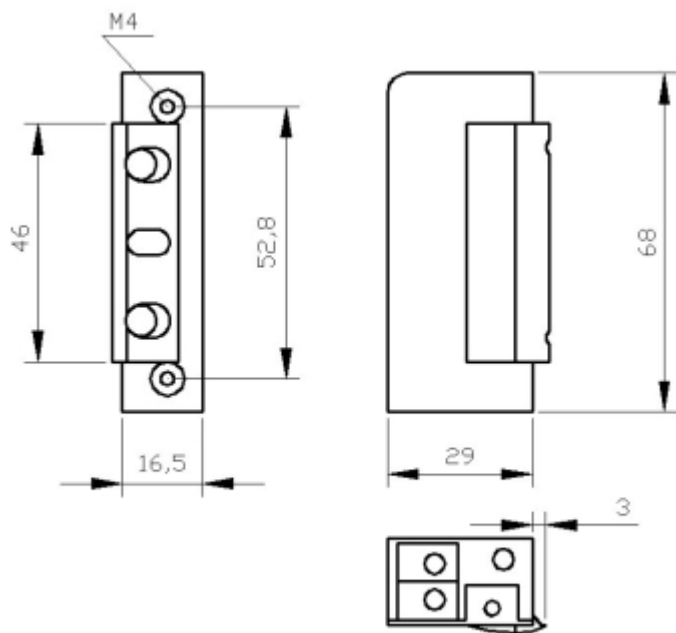
Rated voltage:	24 V $\pm$ 2 V AC/DC
Current consumption:	100 ... 140 mA AC 150 ... 175 mA DC
Application:	right-side door / left-side door
Ratched lock:	—
Memory function:	—
Reverse action:	—
Clearance adjustment:	✓
Allowable thrust on the door at ratchet release:	30 N
Allowable load of the door impacting the lock:	3000 N
Allowable uninterrupted operation time:	30 minutes
Weight:	0.13 kg
Dimensions:	16.5 x 29 x 68 mm
Guarantee:	2 years

### PRESENTATION

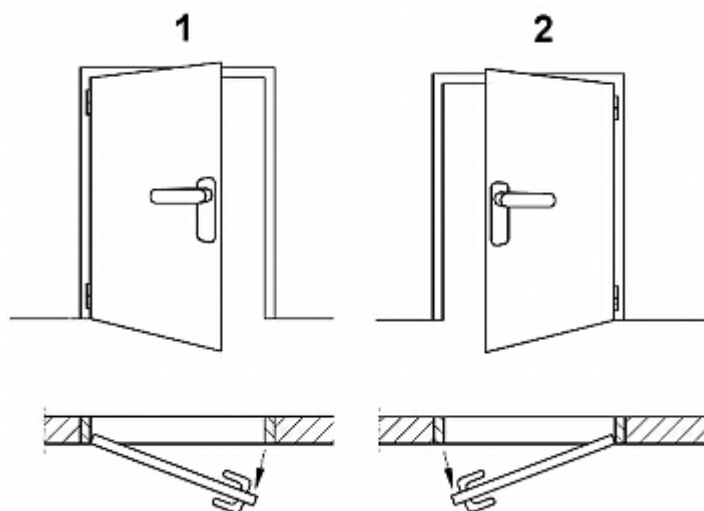
DELTA-OPTI Monika Matysiak; <https://www.delta.poznan.pl>  
POL; 60-713 Poznań; Graniczna 10  
e-mail: delta-opti@delta.poznan.pl; tel: +(48) 61 864 69 60



Dimensions:



Determination of the left- and right side doors:



1. left-side door
2. right-side door

**PACKAGE**

Dimensions (L x W x H): 0x0x0 mm	Gross Weight: 0 kg
----------------------------------	--------------------

