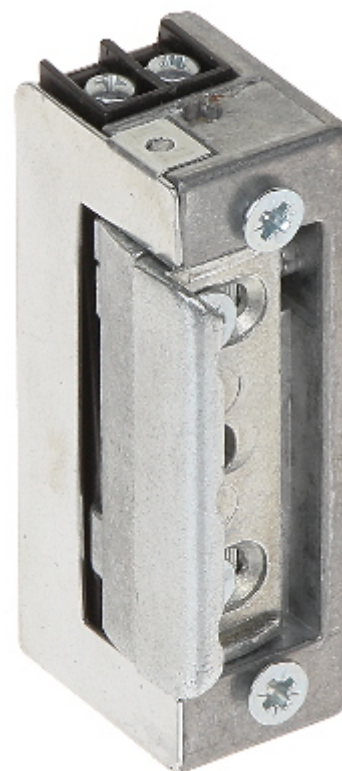


Code: R4-24.13

ELECTRIC STRIKE **R4-24.13** REVERSIBLE

Net: **20.71 USD** Gross: **25.47 USD**



The electric strike of R4-24.13 type is designed for door and gates made from metal profiles, to work together with ratchet-latch or ratchet type door lock. It operates reversibly - it is open when power is off.

SPECIFICATION

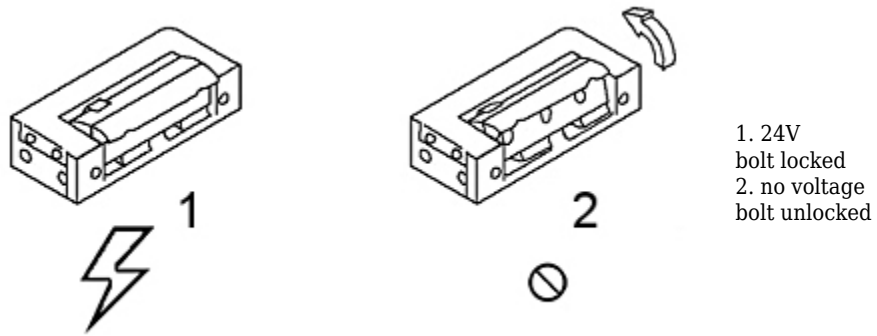
Rated voltage:	24 V ± 2 V DC
Current consumption:	105 ... 125 mA DC
Application:	right side door / left side door
Ratched lock:	—
Memory function:	—
Reverse action:	✓
Clearance adjustment:	✓
Allowable thrust on the door at ratchet release:	30 N
Allowable load of the door impacting the lock:	3000 N
Allowable uninterrupted operation time:	unlimited
Weight:	0.164 kg
Dimensions:	21 x 29 x 68 mm
Guarantee:	2 years

PRESENTATION

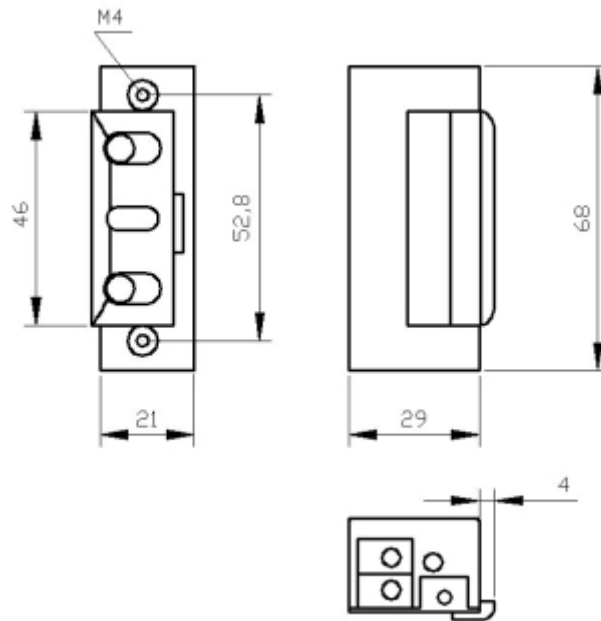
DELTA-OPTI Monika Matysiak; <https://www.delta.poznan.pl>
POL; 60-713 Poznań; Graniczna 10
e-mail: delta-opti@delta.poznan.pl; tel: +(48) 61 864 69 60



Schematic diagram (principle of operation):



Dimensions:



Determination of the left- and right side doors:

