

Code: APTI-AT33V3-2812

# AHD, HD-TVI VANDALPROOF CAMERA **APTI-AT33V3-2812** - 3.0 Mpx 2.8 ... 12 mm

Net: **30.35 EUR** Gross: **30.35 EUR**

Megapixel camera with 1/3" CMOS sensor and AHD / HD-TVI.

The AHD / HD-TVI interface allows to transmission of analog video signal via coaxial cable in 3.0 Mpx resolution. It enables the transmission of HD resolution images for even 500 m distance with keeping the low costs of the installation. During transmission there are no delays and is maintained the original, high quality image.

The range of IR illumination according to the manufacturer data, depends on outer conditions (visibility - air transparency, environment, wall colors ie. scene reflectance).

The appropriate signal format selection is done by tilting and holding the joystick for 5 s without entering to the OSD menu.

**Attention!** in HD-TVI mode, the camera does not work with the HYBRO-H recorders supporting the 3 Mpx resolution.



## SPECIFICATION

Standard:	AHD, HD-TVI
Sensor:	1/3 " Aptina AR0330 CMOS
Digital Image Processor:	Nextchip NVP2470H
Matrix size:	3.0 Mpx
Resolution:	2048 x 1536 - 3.0 Mpx
Range of IR illumination:	30 m
IR illuminator power adjustment:	Automatic
Lens:	2.8 ... 12 mm, 3 Mpx
View angle:	<ul style="list-style-type: none"><li>• 89 ° ... 27 ° (manufacturer data)</li><li>• 71 ° ... 26 ° (our tests result)</li></ul>
S/N ratio:	> 50 dB
Video output:	1 Vpp 75 Ω, AHD / HD-TVI - selectable by switch
Main features:	<ul style="list-style-type: none"><li>• ICR - Movable InfraRed filter</li><li>• D-WDR - Wide Dynamic Range</li><li>• DNR - Digital Noise Reduction</li><li>• AGC - Automatic Gain Control</li><li>• BLC/HLC - Back Light / High Light Compensation</li><li>• Sharpness - sharper image outlines</li><li>• Mirror - Mirror image</li><li>• Auto White Balance</li><li>• NRT - adjusting the number of fps for a given resolution : NRT ON: 18 fps, NRT OFF: 25 fps</li></ul>



DELTA-OPTI Monika Matysiak; <https://www.delta.poznan.pl>  
POL; 60-713 Poznań; Graniczna 10  
e-mail: [delta-opti@delta.poznan.pl](mailto:delta-opti@delta.poznan.pl); tel: +(48) 61 864 69 60

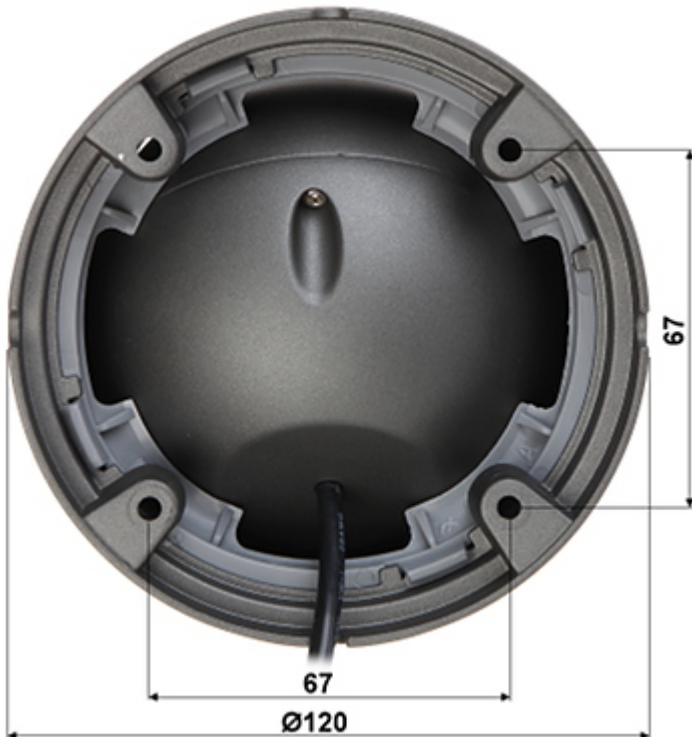
OSD menu:	✓
Power supply:	12 V DC / 440 mA
Power consumption:	≤ 5.3 W
Housing:	Dome - Metal
Color:	Graphite
Vandal-proof:	✓
"Index of Protection":	IP66
Operation temp:	-10 °C ... 50 °C
Weight:	0.59 kg
Dimensions:	Ø 120 x 83 mm
Supported languages:	English, Chinese, French, Spanish, Italian
Manufacturer / Brand:	APTI
Guarantee:	2 years

## PRESENTATION

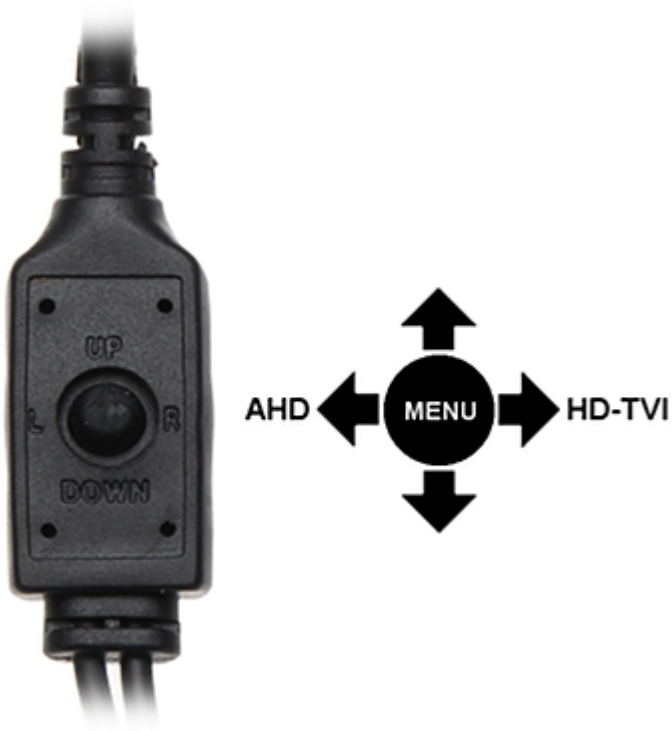
Camera is out from clamping ring (the OSD menu controller visible):



Mounting side view:



The appropriate signal format selection is done by tilting and holding the joystick for 5 s without entering to the OSD menu:



In the kit:



## OUR TESTS

AHD:

Camera image at artificial illumination (about 30Lux):



Camera image at night conditions with internal built-in IR illuminator on:



Camera image at direct strong light opposite to camera:



HD-TVI:

Camera image at artificial illumination (about 30Lux):



Camera image at night conditions with internal built-in IR illuminator on:



Camera image at direct strong light opposite to camera:



## PACKAGE

Dimensions (L x W x H): 0x0x0 mm	Gross Weight: 0 kg
----------------------------------	--------------------