

Code: AHD-LV2-36

# AHD, PAL VANDALPROOF CAMERA **AHD-LV2-36** - 720p 3.6 mm

Net: **19.18 EUR** Gross: **19.18 EUR**

Megapixel camera with 1/4" OmniVision OV9712 CMOS sensor and AHD (Analog High Definition) / PAL.

The AHD interface allows to transmission of analog video signal via coaxial cable in 720p resolution. It enables the transmission of HD resolution images for even 500 m distance with keeping the low costs of the installation. During transmission there are no delays and is maintained the original, high quality image.

Additionally camera has a possibility to select output signal standard between AHD and PAL. The change of the AHD / PAL standard is done with joystick by holding it tilted to the right or to the left for approx. 5 seconds, without going into the OSD.



## SPECIFICATION

Standard:	AHD / PAL
Sensor:	1/4 " OmniVision OV9712S CMOS
Digital Image Processor:	Nextchip NVP2431H
Matrix size:	1.0 Mpx
Resolution:	1280 x 720 - 720p AHD-M , 960 x 576 - 960H PAL
Range of IR illumination:	20 m
IR illuminator power adjustment:	Automatic
Lens:	3.6 mm
View angle:	<ul style="list-style-type: none"><li>• 53 ° (manufacturer data)</li><li>• 56 ° (our tests result)</li></ul>
S/N ratio:	> 50 dB
Video output:	1 Vpp 75 Ω, AHD / PAL - selectable by switch
Main features:	<ul style="list-style-type: none"><li>• ICR - Movable InfraRed filter</li><li>• Sense-UP - (Slow Shutter) - Increase the sensor sensitivity max. x 30</li><li>• D-WDR - Wide Dynamic Range</li><li>• DNR - Digital Noise Reduction</li><li>• F-DNR (Defog) - Reduction of image noise caused by precipitation</li><li>• Motion Detection - max. 4 zones</li><li>• Privacy zones - max. 4</li><li>• BLC - configurable Back Light Compensation</li><li>• HSBLCL - High Light Compensation (spot)</li><li>• Mirror - Mirror image</li><li>• image "freeze"</li><li>• Sharpness - sharper image outlines</li><li>• Monitor type correction - LCD/CRT</li></ul>
OSD menu:	✓
Vandal-proof:	✓

DELTA-OPTI Monika Matysiak; <https://www.delta.poznan.pl>  
POL; 60-713 Poznań; Graniczna 10  
e-mail: [delta-opti@delta.poznan.pl](mailto:delta-opti@delta.poznan.pl); tel: +(48) 61 864 69 60

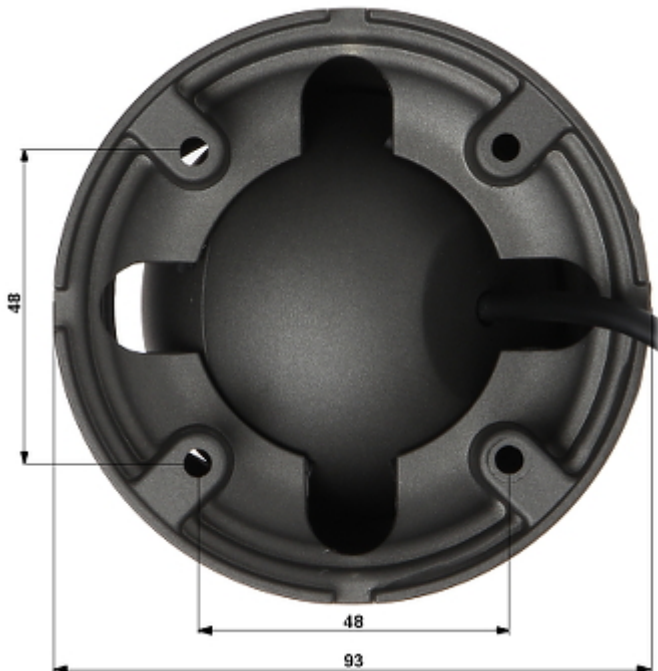
"Index of Protection":	IP65
Power supply:	12 V DC / 300 mA
Housing:	Dome - Metal
Color:	Graphite
Operation temp:	-20 °C ... 50 °C
Weight:	0.29 kg
Dimensions:	Ø 93 x 69 mm
Supported languages:	English, Chinese, French, Spanish, Dutch, German, Polish, Portuguese, Russian, Turkish, Italian
Guarantee:	2 years

## PRESENTATION

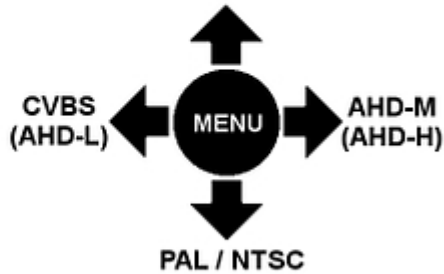
Camera is out from clamping ring (the OSD menu controller visible):



Mounting side view:



The appropriate signal format selection is done by tilting and holding the joystick for 5 s without entering to the OSD menu. Changing the signal to the NTSC in the camera causes loss of image in connected AHD recorder:



#### Configuration

- 1) Turn on the power
  - 2) Move the joystick left or right, setting the appropriate resolution
  - 3) Move the joystick down by 5 s, setting the PAL / NTSC
- The PAL and NTSC standard is set regardless of the resolution.

#### OUR TESTS

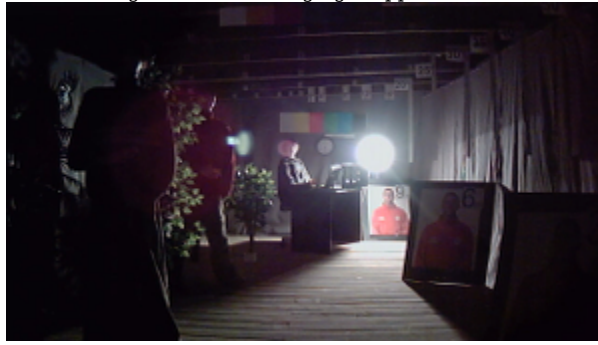
Camera image at artificial illumination (about 30Lux):



Camera image at night conditions with internal built-in IR illuminator on:



Camera image at direct strong light opposite to camera:



**PACKAGE**

Dimensions (L x W x H): 0x0x0 mm	Gross Weight: 0 kg
----------------------------------	--------------------

