

Code: DS-2CD2423G2-I(2.8MM)

IP CAMERA **DS-2CD2423G2-I(2.8MM)** ACUSENSE - 1080p Hikvision

Net: **192.36 EUR** Gross: **192.36 EUR**



IP camera with efficient H.265 / H.264 image compression algorithm for clear and smooth video streaming at maximal resolution of 1080p.

Very easy operation via mobile devices (Android / iOS), allows the users for comfortable and remote operation, and also management of the camera.

Camera from AcuSense series. PoE powering possibility, compatible with the 802.3af standard makes the device more universal and easier to install.

Camera for indoor use only.

SPECIFICATION

Standard:	TCP/IP
Sensor:	1/2.8 " Progressive Scan CMOS
Matrix size:	2.1 Mpx
Resolution:	1920 x 1080 - 1080p , 1280 x 720 - 720p
Lens:	2.8 mm
View angle:	109 °
Range of IR illumination:	10 m
Audio:	<ul style="list-style-type: none">• Microphone built-in,• Speaker built-in,• Bi-directional audio streaming support• Compliance with the AAC standard,• Noise suppression and echo cancellation
RS-485 interface:	—
Alarm inputs / outputs:	—
Image compression method:	H.265+ / H.265 / H.264+ / H.264 / MJPEG
Main stream frame rate:	25 fps @ 1080p
ONVIF:	✓
Network interface:	10/100 Base-T (RJ-45)

Mobile phones support:	Port no.: 8000 or access by a cloud (P2P) <ul style="list-style-type: none"> • Android: Free application Hik-Connect • iOS: Free application Hik-Connect
Default IP address:	DHCP or 192.168.1.64
Default admin user / password:	admin / - The administrator password should be set at the first start
Web browser access ports:	80
PC client access ports:	Port no.: 8000 or access by a cloud (P2P) iVMS-4200 application
Mobile client access ports:	8000
Port ONVIF:	80
RTSP URL:	<ul style="list-style-type: none"> • Main stream rtsp://user:password@192.168.1.64:554/Streaming/Channels/101/ - with authorization • Sub stream rtsp://user:password@192.168.1.64:554/Streaming/Channels/102/ - with authorization
Memory card slot:	Micro SD memory cards up to 512GB support (possible local recording)
Main features:	<ul style="list-style-type: none"> • Camera from AcuSense series • Built-in PIR detector, Range : 8 m / 90 ° • WDR - 120 dB - Wide Dynamic Range • 3D-DNR - Digital Noise Reduction • BLC/HLC - Back Light / High Light Compensation • ROI - improve the quality of selected parts of image • ANR - Automatic Network Replenishment allows to save image to the card when the network connection with DVR is break (network failure) and next synchronize its • NAS - Network Attached Storage support • SVC (Scalable Video Coding) - technology enabling the transfer of several sub-streams of different quality within one stream • Image rotation and mirror • Built-in Infra-Red illuminator enables night monitoring • ICR - Movable InfraRed filter • Possibility to change the resolution, quality and bit rate • Sharpness - sharper image outlines • Smart motion detection (with recognizing people and vehicles) • Intelligent image analysis : intrusion, crossing the line (tripwire) - classification of people and vehicles, face detection
Power supply:	<ul style="list-style-type: none"> • PoE (802.3af), • 12 V DC / 480 mA
Power consumption:	<ul style="list-style-type: none"> • ≤ 6.8 W @ PoE, • ≤ 5.8 W @ 12 V DC
Weight:	0.22 kg (with stand)
Dimensions:	76 x 135 x 82 mm (with stand)
Operation temp:	-10 ... 40 °C
Supported languages:	Polish, English, Bulgarian, Croatian, Czech, Danish, Estonian, Finnish, French, Greek, Spanish, Dutch, Lithuanian, Latvian, German, Norwegian, Portuguese, Russian, Romanian, Serbian, Slovak, Slovenian, Swedish, Turkish, Ukrainian, Hungarian, Italian
Manufacturer / Brand:	Hikvision
SAP Code:	311316098
Guarantee:	3 years

PRESENTATION

Front view:



DELTA-OPTI Monika Matysiak; <https://www.delta.poznan.pl>
POL; 60-713 Poznań; Graniczna 10
e-mail: delta-opti@delta.poznan.pl; tel: +(48) 61 864 69 60



Rear view:





Side view:



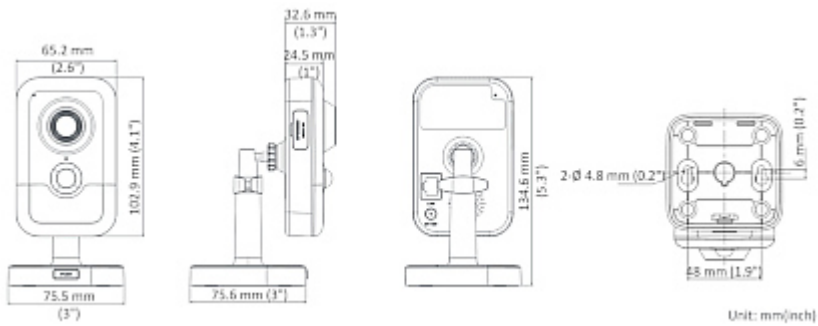
Memory card slot and "Reset" button:



Mounting side view:



Camera dimensions:



In the kit:



PACKAGE

Dimensions (L x W x H): 0x0x0 mm	Gross Weight: 0 kg
----------------------------------	--------------------

