

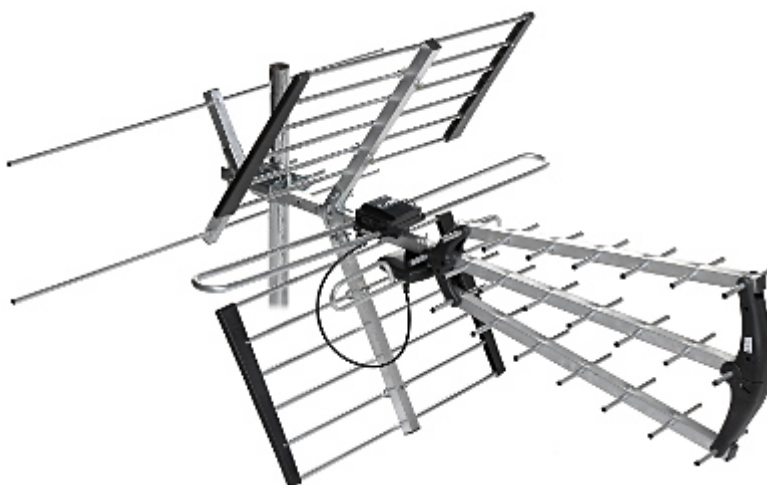
Code: BX-1000-OLYMPIA

BROADBAND ANTENNA **BX-1000-OLYMPIA** RED EAGLE

Net: **27.16 USD** Gross: **27.16 USD**

The BX-1000-OLYMPIA directional antenna is designed to receive DVB-T digital terrestrial television. Some antenna parts are made from aluminum, steel construction elements are galvanized.

Antenna has built-in a multiplexer which summing the VHF and UHF bands to one output.

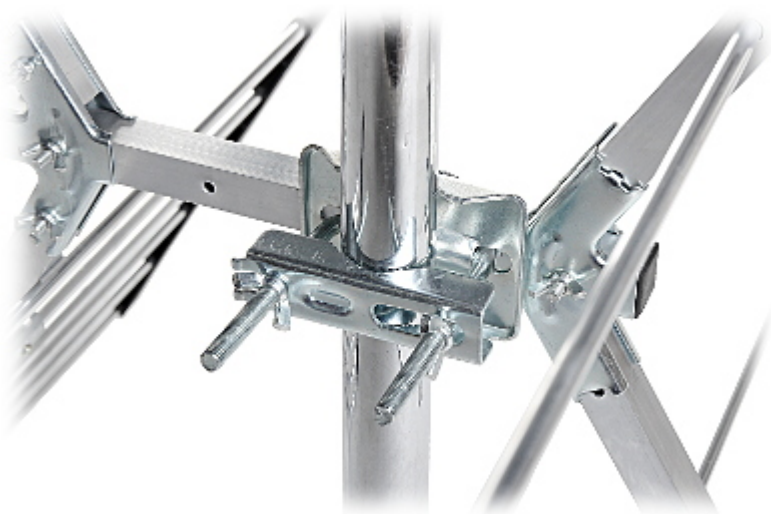
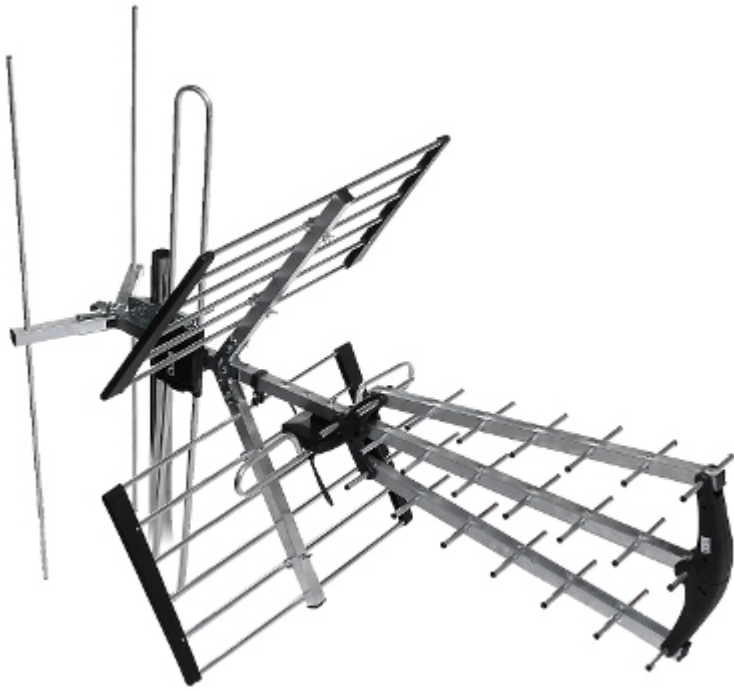


SPECIFICATION

| | |
|-----------------------|--|
| Receiving channels: | <ul style="list-style-type: none">• 6 ... 12,• 21 ... 60 |
| Gain : | <ul style="list-style-type: none">• 14 dB - VHF (manufacturer data),• 18 dB - UHF (manufacturer data) |
| Polarization: | Horizontal / Vertical |
| Impedance: | 75 Ω |
| Main features: | Built-in LTE filter |
| Weight: | 1.76 kg |
| Dimensions: | 1010 x 800 x 800 mm |
| Manufacturer / Brand: | RED EAGLE |
| Guarantee: | 2 years |

PRESENTATION

Antenna assembled to VHF band signals reception in vertical polarization:



DELTA-OPTI Monika Matysiak; <https://www.delta.poznan.pl>
POL; 60-713 Poznań; Graniczna 10
e-mail: delta-opti@delta.poznan.pl; tel: +(48) 61 864 69 60



PACKAGE

| | |
|----------------------------------|--------------------|
| Dimensions (L x W x H): 0x0x0 mm | Gross Weight: 0 kg |
|----------------------------------|--------------------|

