

Code: APTI-Y21C6-2812

HD-CVI, PAL CAMERA **APTI-Y21C6-2812** - 1080p 2.8 ... 12 mm

Net: **72.20 EUR** Gross: **72.20 EUR**

Megapixel camera with 1/2.7" OmniVision CMOS 2.1MP sensor and HD-CVI (High Definition Composite Video Interface) / PAL.

The HD-CVI interface allows to transmission of analog, composite video signal via coaxial cable. Via single coaxial cable can be transmitted three signals: video, audio and control. It enables the transmission of HD resolution images for even 500 m distance with keeping the low costs of the installation. During transmission there are no delays and is maintained the original, high quality image.

Camera is according to IP66 Index of Protection norm.



SPECIFICATION

Standard:	HD-CVI, PAL
Digital Image Processor:	FH8530C
Sensor:	1/2.7 " OmniVision OV2710 CMOS
Matrix size:	2.1 Mpx
Resolution:	1920 x 1080 - 1080p
IR illuminator support:	ICR - Movable InfraRed filter
Video output:	HD-CVI, 1 Vpp / 75 Ω
OSD menu:	—
Lens:	2.8 ... 12 mm, 2 Mpx
View angle:	<ul style="list-style-type: none">• 87 ° ... 25 ° (manufacturer data)• 95 ° ... 36 ° (our tests result)
S/N ratio:	> 50 dB
Range of IR illumination:	60 m
IR illuminator power adjustment:	Automatic
Main features:	<ul style="list-style-type: none">• ICR - Movable InfraRed filter• DNR - Digital Noise Reduction• AES - Auto Electronic Shutter• AGC - Automatic Gain Control• Auto White Balance
Power supply:	12 V DC / 700 mA
Housing:	Compact, Metal
Color:	Graphite
"Index of Protection":	IP66

DELTA-OPTI Monika Matysiak; <https://www.delta.poznan.pl>
POL; 60-713 Poznań; Graniczna 10
e-mail: delta-opti@delta.poznan.pl; tel: +(48) 61 864 69 60

Operation temp:	-10 °C ... 50 °C
Weight:	0.760 kg
Dimensions:	113 x 103 x 305 mm
Manufacturer / Brand:	APTI
Guarantee:	2 years

PRESENTATION

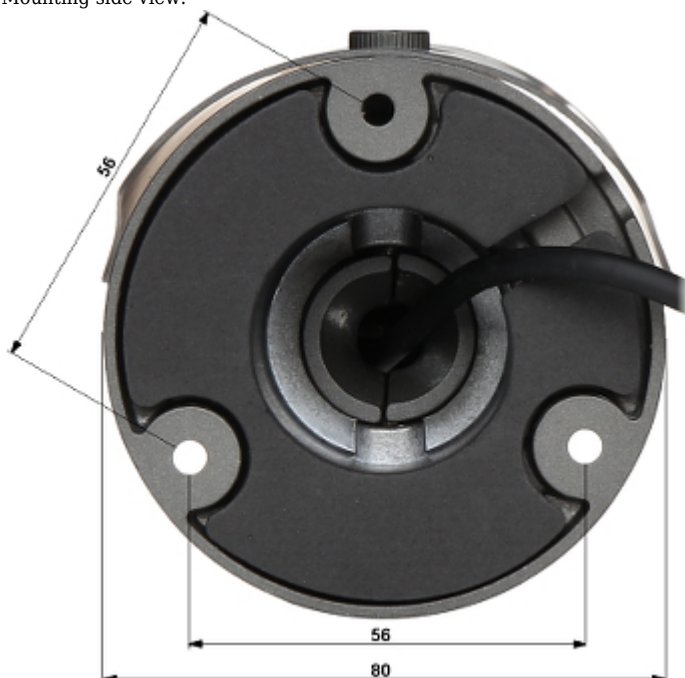
Front view:



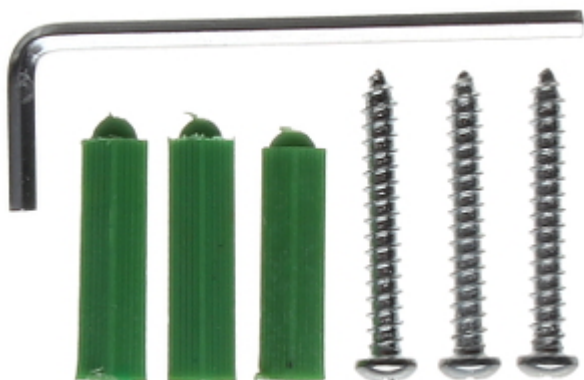
Side view:



Mounting side view:



In the kit:



OUR TESTS

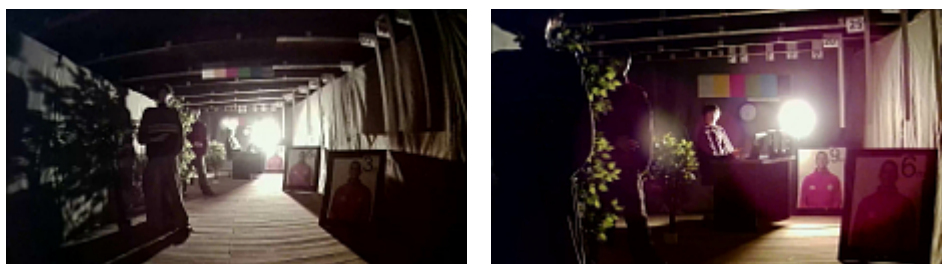
Camera image at artificial illumination (about 30Lux):



Camera image at night conditions with internal built-in IR illuminator on:



Camera image at direct strong light opposite to camera:



PACKAGE

Dimensions (L x W x H): 0x0x0 mm	Gross Weight: 0 kg
----------------------------------	--------------------

DELTA-OPTI Monika Matysiak; <https://www.delta.poznan.pl>
POL; 60-713 Poznań; Graniczna 10
e-mail: delta-opti@delta.poznan.pl; tel: +(48) 61 864 69 60