

Code: DH-SD40212S-HN

# IP SPEED DOME CAMERA OUTDOOR **DH-SD40212S-HN** - 1080p 5.1 ... 61.2 mm DAHUA

Net: **931.72 EUR** Gross: **931.72 EUR**

IP camera equipped with very good high resolution sensor. Due to above it is perfect solution for surveillance systems requiring persons or vehicles recognition. Included camera software enables management and integrated monitoring of many network cameras.  
For a few models of IP cameras working at  $\geq 1920 \times 1080$  resolution we recommend to use of network with 1Gb/s bandwidth.



## SPECIFICATION

Standard:	TCP/IP
Sensor:	1/2.8 " Progressive Scan Exmor CMOS
Matrix size:	2.1 Mpx
Resolution:	1920 x 1080 - 1080p 1280 x 720 - 720p 704 x 576 - D1 640 x 480 - VGA
Scanning system:	Progressive
Lens:	5.1 ... 61.2 mm
View angle:	59 ° ... 5.2 ° (manufacturer data) 56 ° ... 5.5 ° (our tests result)
Optical zoom:	x 12
Digital zoom:	x 16
Min. illumination:	0.05 Lux (color) 0.005 Lux (B/W)
S/N ratio:	> 55 dB (AGC off)
Video output:	1 Vpp / 75 Ω
Preset rotation speed:	max. 300 °/s
Rotation speed (manual control):	0.1 °/s ... 300 °/s (horizontal) 0.1 °/s ... 120 °/s (vertical)

DELTA-OPTI Monika Matysiak; <https://www.delta.poznan.pl>  
POL; 60-713 Poznań; Graniczna 10  
e-mail: [delta-opti@delta.poznan.pl](mailto:delta-opti@delta.poznan.pl); tel: +(48) 61 864 69 60

Horizontal rotation range:	360 ° continuous
Vertical rotation range:	-2 ° ... 90 °
RS-485 interface:	—
Number of presets:	300
Horizontal scan:	✓
Route settings:	8
Image compression method:	H.264 / MJPEG
Bitrate:	448 ... 8192 kbps - H.264 56 ... 20480 kbps - MJPEG
Alarm inputs / outputs:	2 / 1
Audio:	<ul style="list-style-type: none"> <li>• External microphone input</li> <li>• Audio output</li> </ul>
Main stream frame rate:	1 ... 25 fps - 1080p 1 ... 25 fps - 720p
Network interface:	10/100 Base-T (RJ-45)
Network protocols:	IPv4/IPv6, HTTP, HTTPS, SSL, TCP/IP, UDP, UPnP, ICMP, IGMP, SNMP, RTSP, RTP, SMTP, NTP, DHCP, DNS, PPPOE, DDNS, FTP, IP Filter, QoS, Bonjour
WEB Server:	Built-in, NVR compliance
Max. number of on-line users:	20
ONVIF:	2.41
Memory card slot:	Micro SD memory cards up to 128GB support (possible local recording)
Mobile phones support:	Port 37777 <ul style="list-style-type: none"> <li>• Android: Free application <a href="#">DMSS</a></li> <li>• iOS (iPhone): Free application <a href="#">DMSS</a></li> </ul> There are also paid versions of mobile applications: gDMSS Plus, iDMSS Plus, wDMSS plus
Main features:	<ul style="list-style-type: none"> <li>• ICR - Movable InfraRed filter</li> <li>• D-WDR - Wide Dynamic Range</li> <li>• 3D-DNR - Digital Noise Reduction</li> <li>• Configurable Privacy Zones - 24</li> <li>• BLC/HLC - Back Light / High Light Compensation</li> <li>• Sharpness - sharper image outlines</li> <li>• Mirror - Mirror image</li> <li>• Day/Night mode (color/b&amp;w/auto)</li> </ul>
Power supply:	<ul style="list-style-type: none"> <li>• PoE (802.3at)</li> <li>• 24 V AC / 1.5 A (power adapter included)</li> </ul>
Housing:	Speed Dome Metal
Color:	White
Operation temp:	-40 °C ... 60 °C
"Index of Protection":	IP66
Weight:	2.91 kg (with bracket)
Dimensions:	Ø 186 x 294 x 395 mm (with bracket)
Supported languages:	English
Manufacturer / Brand:	DAHUA
Guarantee:	<b>3 years</b>

## PRESENTATION

Bottom view:



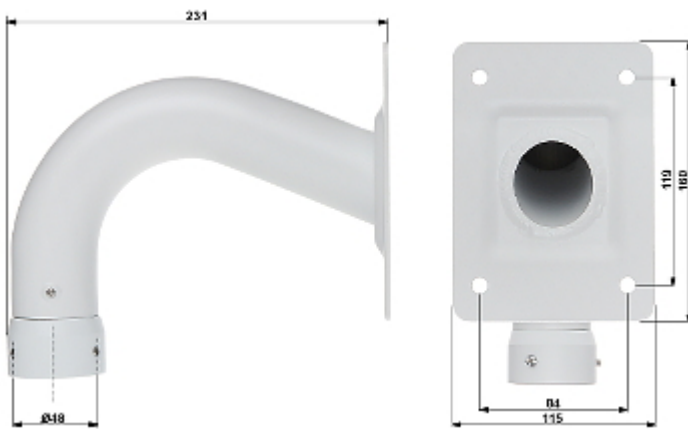
DELTA-OPTI Monika Matysiak; <https://www.delta.poznan.pl>  
 POL; 60-713 Poznań; Graniczna 10  
 e-mail: delta-opti@delta.poznan.pl; tel: +(48) 61 864 69 60



Micro SD card slot is located inside the camera:



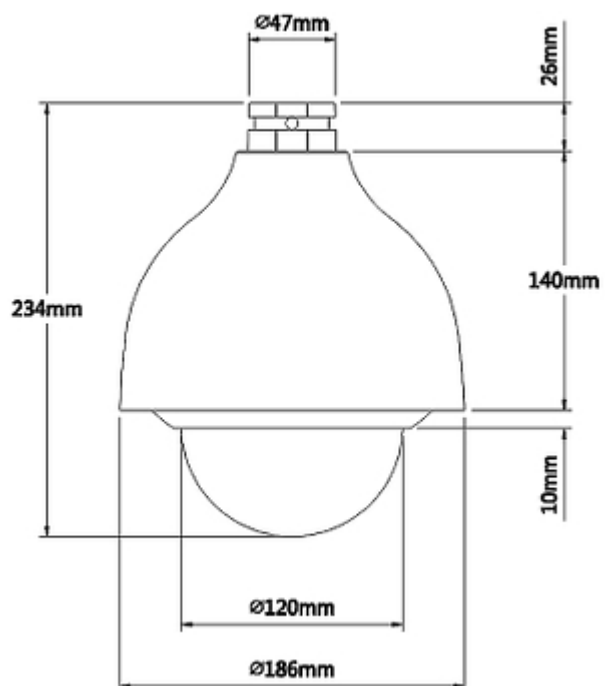
Bracket dimensions:



Camera dimensions:

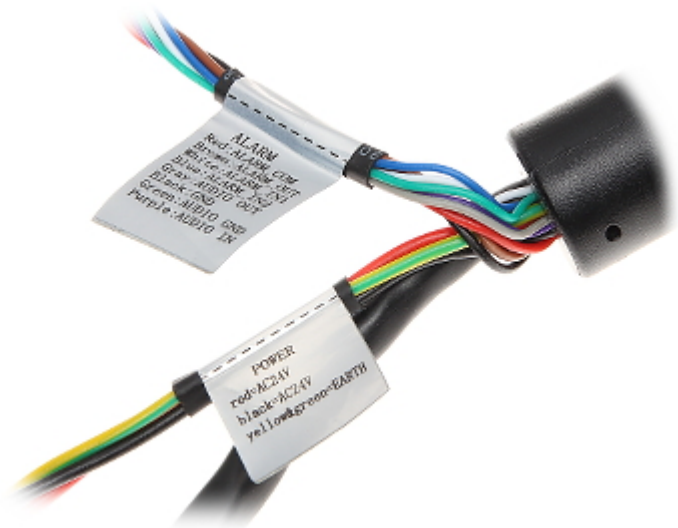


DELTA-OPTI Monika Matysiak; <https://www.delta.poznan.pl>  
POL; 60-713 Poznań; Graniczna 10  
e-mail: delta-opti@delta.poznan.pl; tel: +(48) 61 864 69 60



Connectors:





In the kit:



## OUR TESTS

Camera image at artificial illumination (about 30Lux):



Camera image at night conditions with internal built-in IR illuminator on:



Camera image at direct strong light opposite to camera:



Record from camera during daylight operation:

:

## PACKAGE

Dimensions (L x W x H): 0x0x0 mm	Gross Weight: 0 kg
----------------------------------	--------------------

