

Code: BCS-SDIP4212A

# IP SPEED DOME CAMERA OUTDOOR **BCS-SDIP4212A** ICR - 1080p 5.1 ... 61.2 mm

Net: **719.08 EUR** Gross: **719.08 EUR**

IP camera equipped with very good high resolution sensor. Due to above it is perfect solution for surveillance systems requiring persons or vehicles recognition.

Very easy operation by Internet Explorer browser allows the users to convenient and remote support, and also remote management of the camera. Included camera software enables management and integrated monitoring of many network cameras.

For a few models of IP cameras working at  $\geq 1920 \times 1080$  resolution we recommend to use of network with 1Gb/s bandwidth.



## SPECIFICATION

Standard:	TCP/IP
Sensor:	1/2.8 " Progressive Scan CMOS
Digital Image Processor:	AMBARELLA A5S
Matrix size:	2.0 Mpx
Resolution:	1920 x 1080 - 1080p 1280 x 720 - 720p 704 x 576 - D1 352 x 288 - CIF
Scanning system:	Progressive
Lens:	5.1 ... 61.2 mm
View angle:	57 ° ... 5.2 ° (manufacturer data) 57 ° ... 5.2 ° (our tests result)
Optical zoom:	x 12
Digital zoom:	x 16
Range of IR illumination:	100 m
S/N ratio:	> 52 dB (AGC off)
Preset rotation speed:	max. 400 °/s
Rotation speed (manual control):	0.1 °/s ... 300 °/s (horizontal) 0.1 °/s ... 200 °/s (vertical)
Horizontal rotation range:	360 ° continuous
Vertical rotation range:	0 ° ... 90 °
Number of presets:	255

DELTA-OPTI Monika Matysiak; <https://www.delta.poznan.pl>  
POL; 60-713 Poznań; Graniczna 10  
e-mail: [delta-opti@delta.poznan.pl](mailto:delta-opti@delta.poznan.pl); tel: +(48) 61 864 69 60

Horizontal scan:	✓
Route settings:	8
Audio:	<ul style="list-style-type: none"> <li>• External microphone input</li> <li>• Audio output</li> <li>• Bi-directional audio streaming support</li> </ul>
Alarm inputs / outputs:	2 / 1
Main stream frame rate:	25 fps @ 1920 x 1080 50 fps @ 1280 x 720
Network interface:	10/100 Base-T (RJ-45)
Network protocols:	IPv4/IPv6, HTTP, HTTPS, SSL, TCP/IP, UDP, UPnP, ICMP, IGMP, SNMP, RTSP, RTP, SMTP, NTP, DHCP, DNS, PPPOE, DDNS, FTP, IP Filter, QoS, Bonjour
WEB Server:	Built-in, NVR compliance
Max. number of on-line users:	20
ONVIF:	2.0
Mobile phones support:	<p>Port no.: 37777 or access by a cloud (P2P)</p> <ul style="list-style-type: none"> <li>• Android: Free application <a href="#">DMSS</a></li> <li>• iOS (iPhone): Free application <a href="#">DMSS</a></li> <li>• Windows Phone: Free application <a href="#">wDMSS Lite</a></li> </ul> <p>There are also paid versions of mobile applications: gDMSS Plus, iDMSS Plus, wDMSS plus</p>
Main features:	<ul style="list-style-type: none"> <li>• WDR - Wide Dynamic Range</li> <li>• ICR - Movable InfraRed filter</li> <li>• Motion Detection</li> <li>• DNR - Digital Noise Reduction</li> <li>• 24 x Configurable Privacy Zones</li> <li>• Sharpness - sharper image outlines</li> <li>• Mirror - Mirror image</li> <li>• AGC - Automatic Gain Control</li> <li>• Day/Night mode (color/b&amp;w/auto)</li> </ul>
Power supply:	<ul style="list-style-type: none"> <li>• 24 V AC</li> <li>• PoE (802.3at)</li> </ul>
Housing:	Speed Dome, Metal
Color:	White / Black
Operation temp:	-40 °C ... 70 °C
"Index of Protection":	IP66
Weight:	4.14 kg (with bracket)
Dimensions:	Ø 186 x 475 mm (with bracket)
Manufacturer / Brand:	BCS
Guarantee:	2 years

## PRESENTATION

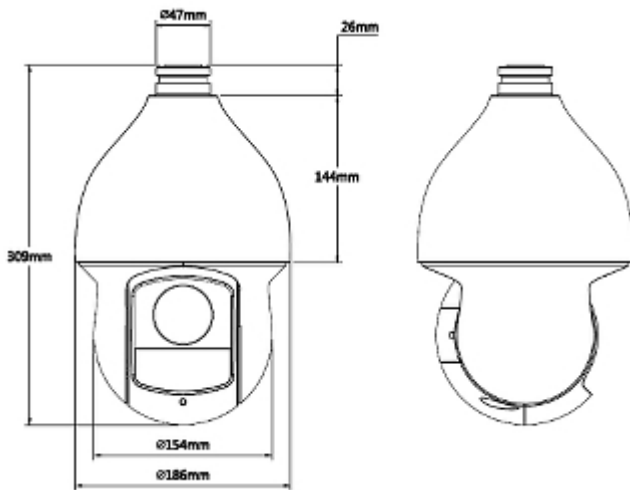
Bottom view:



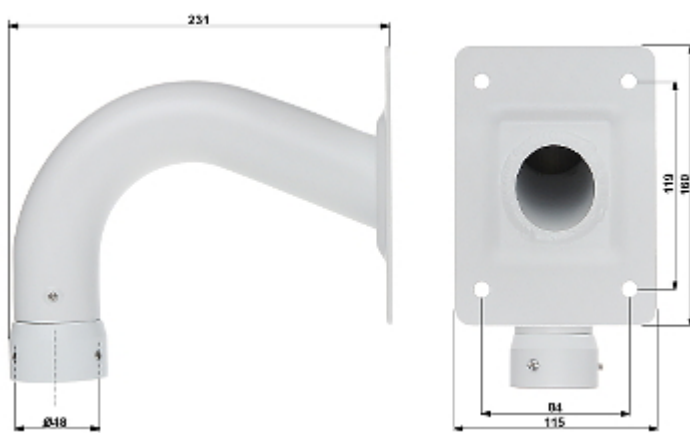
DELTA-OPTI Monika Matysiak; <https://www.delta.poznan.pl>  
POL; 60-713 Poznań; Graniczna 10  
e-mail: [delta-opti@delta.poznan.pl](mailto:delta-opti@delta.poznan.pl); tel: +(48) 61 864 69 60



Dimensions:



Bracket dimensions:



Connectors:



DELTA-OPTI Monika Matysiak; <https://www.delta.poznan.pl>  
POL; 60-713 Poznań; Graniczna 10  
e-mail: delta-opti@delta.poznan.pl; tel: +(48) 61 864 69 60



In the kit:



## OUR TESTS

Camera image at artificial illumination (about 30Lux):



Camera image at night conditions with internal built-in IR illuminator on:



Camera image at direct strong light opposite to camera:



DELTA-OPTI Monika Matysiak; <https://www.delta.poznan.pl>  
POL; 60-713 Poznań; Graniczna 10  
e-mail: [delta-opti@delta.poznan.pl](mailto:delta-opti@delta.poznan.pl); tel: +(48) 61 864 69 60

## PACKAGE

Dimensions (L x W x H): 0x0x0 mm	Gross Weight: 0 kg
----------------------------------	--------------------

