

Code: AHD-25C6-2812

AHD, PAL CAMERA **AHD-25C6-2812** - 1080p 2.8 ... 12 mm

Net: **76.41 EUR** Gross: **76.41 EUR**

Megapixel camera with 1/2.7" OmniVision OV2710 CMOS sensor and AHD (Analog High Definition) / PAL.

The AHD interface allows to transmission of analog video signal via coaxial cable in 1080p resolution. It enables the transmission of HD resolution images for even 500 m distance with keeping the low costs of the installation. During transmission there are no delays and is maintained the original, high quality image.

Additionally camera has a possibility to select output signal standard between AHD and PAL. The change of the AHD / PAL standard is done with joystick by holding it tilted to the right or to the left for approx. 5 seconds, without going into the OSD.



SPECIFICATION

Standard:	AHD / PAL
Sensor:	1/2.7 " OmniVision OV2710 CMOS
Digital Image Processor:	Nextchip NVP2441H
Matrix size:	2.1 Mpx
Resolution:	1920 x 1080 - 1080p, AHD-H , 960 x 576 - 960H, PAL
Range of IR illumination:	60 m
IR illuminator power adjustment:	Automatic
Lens:	2.8 ... 12 mm, 2 Mpx
View angle:	<ul style="list-style-type: none">• 88 ° ... 25 ° (manufacturer data)• 95 ° ... 36 ° (our tests result)
Video output:	1 Vpp 75 Ω, AHD / PAL - selectable by switch
Main features:	<ul style="list-style-type: none">• ICR - Movable InfraRed filter• Sense-UP - (Slow Shutter) - Increase the sensor sensitivity max. x 30• D-WDR - Wide Dynamic Range• DNR - Digital Noise Reduction• F-DNR (Defog) - Reduction of image noise caused by precipitation• Motion Detection - max. 4 zones• Privacy zones - max. 4• BLC - configurable Back Light Compensation• HSBLC - High Light Compensation (spot)• Mirror - Mirror image• image "freeze"• Sharpness - sharper image outlines• Monitor type correction - LCD/CRT
OSD menu:	✓
"Index of Protection":	IP66
Power supply:	12 V DC / 690 mA
Housing:	Compact, Metal

DELTA-OPTI Monika Matysiak; <https://www.delta.poznan.pl>
POL; 60-713 Poznań; Graniczna 10
e-mail: delta-opti@delta.poznan.pl; tel: +(48) 61 864 69 60

Color:	Graphite
Operation temp:	-20 °C ... 50 °C
Weight:	0.766 kg
Dimensions:	305 x 115 x 97 mm
Supported languages:	English, Chinese, French, Spanish, Dutch, German, Polish, Portuguese, Russian, Turkish, Italian
Guarantee:	2 years

PRESENTATION

Front view:



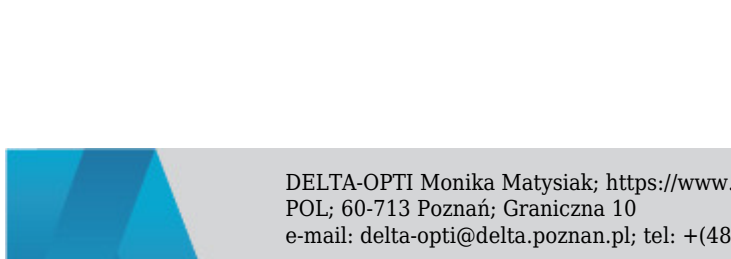
Side view:

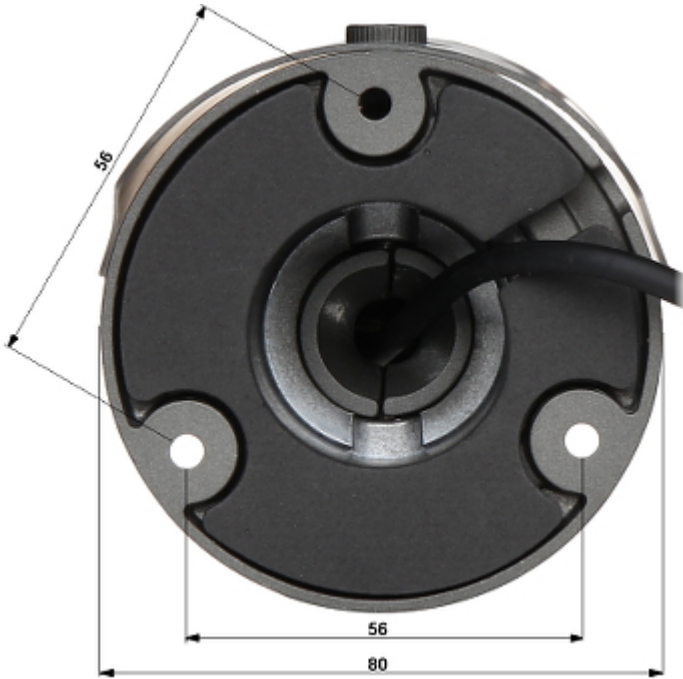


Bottom view:

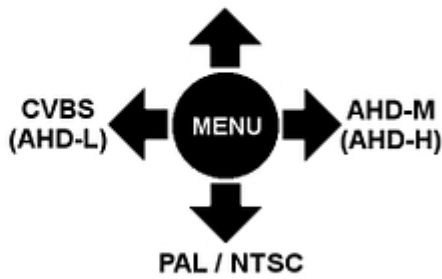


Mounting side view:





The appropriate signal format selection is done by tilting and holding the joystick for 5 s without entering to the OSD menu. Changing the signal to the NTSC in the camera causes loss of image in connected AHD recorder:



Configuration

- 1) Turn on the power
 - 2) Move the joystick left or right, setting the appropriate resolution
 - 3) Move the joystick down by 5 s, setting the PAL / NTSC
- The PAL and NTSC standard is set regardless of the resolution.

In the kit:



OUR TESTS

Camera image at artificial illumination (about 30Lux):



Camera image at night conditions with internal built-in IR illuminator on:



Camera image at direct strong light opposite to camera:



PACKAGE

Dimensions (L x W x H): 0x0x0 mm	Gross Weight: 0 kg
----------------------------------	--------------------