

Code: DS-2TD2617B-6/PA

IP HYBRID THERMAL IMAGING CAMERA **DS-2TD2617B-6/PA** 6.2 mm - 720p, 8 mm - 4 Mpx Hikvision Net: 7 841.80 CAD Gross: 7 841.80 CAD

The DS-2TD2617B-6/PA Thermal Imaging Camera is a modern solution that allows to detect the presence of people, animals and vehicles regardless of prevailing vision conditions. The device is equipped with sensitive VOx microbolometer that allows to observe the objects in fog, smoke and in the absence of illumination.

A solution dedicated to measuring temperature. The camera is able to detect increased object temperature. It can be used for preliminary temperature control in places such as customs, airports, schools and hospitals.



SPECIFICATION

Sensor:	Uncooled VOx microbolometer
Matrix size:	160 x 120 px
Pixel pitch:	17 μ m
Thermal sensitivity (NETD):	\leq 40 mK @ F1.1
Spectral range:	8 μ m ... 14 μ m
Lens:	6.2 mm
View angle:	25 °
Resolution:	1280 x 720 - 720p , 704 x 576 640 x 480 352 x 288 320 x 240
Temperature measurement:	<ul style="list-style-type: none">• Spot• Line• Area
Temperature measurement range:	30 °C ... 45 °C
Accuracy of temperature measurement:	\pm 0.5 °C

VIDEO CAMERA:

Sensor:	1/2.7 " Progressive Scan Exmor CMOS
Matrix size:	4 Mpx
Scanning system:	Progressive
Lens:	8 mm
View angle:	39.4 °
Optical zoom:	—
Min. illumination:	0.0089 Lux (color) @ F1.6 0.0018 Lux @ F1.6
Range of IR illumination:	40 m

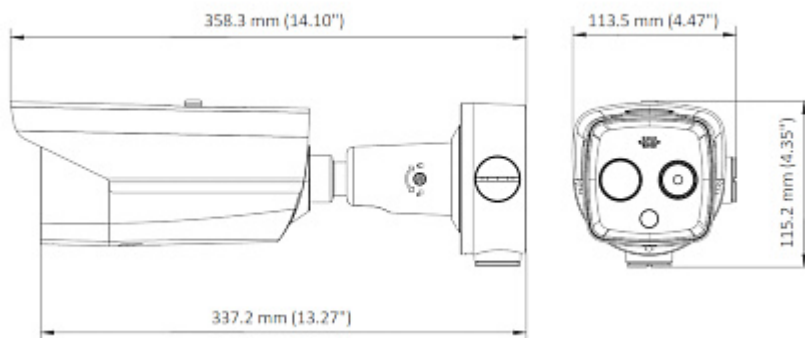
Resolution:	2688 x 1520 - 4 Mpx 1920 x 1080 - 1080p 1280 x 720 - 720p
General information:	
Standard:	TCP/IP
Video output:	—
RS-485 interface:	✓
Memory card slot:	Micro SD memory cards up to 128GB support (possible local recording)
Image compression method:	H.265 / H.264 / MJPEG
Alarm inputs / outputs:	2 / 2
Audio:	<ul style="list-style-type: none"> • External microphone input • Audio output • Audio detection
Main stream frame rate:	25 fps @ 4 Mpx
Network interface:	10/100 Base-T (RJ-45)
Network protocols:	IPv4/IPv6, HTTP, HTTPS, IEEE 802.1x, QoS, FTP, SMTP, UPnP, SNMP, DNS, DDNS, NTP, RTSP, RTCP, RTP, TCP, UDP, IGMP, ICMP, DHCP, PPPoE
WEB Server:	Built-in
Max. number of on-line users:	20
ONVIF:	16.12
Mobile phones support:	Port no.: 8000 or access by a cloud (P2P) <ul style="list-style-type: none"> • Android: Free application iVMS-4500 or Hik-Connect • iOS (iPhone): Free application iVMS-4500 or Hik-Connect
Default IP address:	192.168.1.64
Default admin user / password:	admin / - The administrator password should be set at the first start
Web browser access ports:	80
PC client access ports:	Port no.: 8000 or access by a cloud (P2P) - iVMS-4200 application
Mobile client access ports:	8000
Port ONVIF:	80
RTSP URL:	<ul style="list-style-type: none"> • Main stream VIDEO CAMERA : rtsp://user:password@192.168.1.64:554/Streaming/Channels/101/ THERMAL IMAGING CAMERA : rtsp://user:password@192.168.1.64:554/Streaming/Channels/201/ • Sub stream VIDEO CAMERA : rtsp://user:password@192.168.1.64:554/Streaming/Channels/102/ THERMAL IMAGING CAMERA : rtsp://user:password@192.168.1.64:554/Streaming/Channels/202/
Main features:	<ul style="list-style-type: none"> • The possibility of overlapping the image from a thermal imaging camera in a classic image • Temperature measurement • WDR - 120 dB - Wide Dynamic Range • 3D-DNR - Digital Noise Reduction • PIP - Picture In Picture • Light and sound alarm • ICR - Movable InfraRed filter • AGC - Automatic Gain Control • Sharpness - sharper image outlines • Mirror - Mirror image • Day/Night mode (color/b&w/auto) • Audio detection • DDE (Digital Detail Enhancement) - the function automatically optimizes the contrast of the thermal image in high-dynamic scenes - small differences in the temperature distribution of the examined object are highlighted • AI detection : A solution dedicated to measuring temperature. The camera is able to detect increased object temperature



Power supply:	<ul style="list-style-type: none"> • PoE (802.3af), • 12 V DC / 630 mA
Power consumption:	<ul style="list-style-type: none"> ≤ 7.5 W @ 12 V DC ≤ 8 W @ PoE (802.3af)
Housing:	Compact - Metal
Color:	White
"Index of Protection":	IP66
Operation temp:	10 °C ... 35 °C
Weight:	1.76 kg
Dimensions:	358 x 114 x 115 mm
Supported languages:	Polish, English, Bulgarian, Croatian, Czech, Danish, Estonian, Finnish, French, Greek, Spanish, Dutch, Lithuanian, Latvian, German, Norwegian, Portuguese, Russian, Romanian, Serbian, Slovak, Slovenian, Swedish, Turkish, Hungarian, Italian
Manufacturer / Brand:	Hikvision
SAP Code:	305401143
Guarantee:	3 years

PRESENTATION

Dimensions:



PACKAGE

Dimensions (L x W x H): 0x0x0 mm	Gross Weight: 0 kg
----------------------------------	--------------------



DELTA-OPTI Monika Matysiak; <https://www.delta.poznan.pl>
 POL; 60-713 Poznań; Graniczna 10
 e-mail: delta-opti@delta.poznan.pl; tel: +(48) 61 864 69 60