

Code: DH-TPC-PT8320P-100

IP HYBRID THERMAL IMAGING CAMERA **DH-TPC-PT8320P-100** 100 mm - 1.4 Mpx, 6 ... 180 mm - 1080p DAHUA

Net: **25 894.31 EUR** Gross: **25 894.31 EUR**



The DH-TPC-PT8320P-100 Thermal Imaging Camera is a modern solution that allows to detect the presence of people, animals and vehicles regardless of prevailing vision conditions. The device is equipped with sensitive VOx microbolometer that allows to observe the objects in fog, smoke and in the absence of illumination. An additional advantage of the TPC series cameras is the ability to detect fire and send a signal to the alarm control panel when it occurs.

SPECIFICATION

Sensor:	Uncooled VOx microbolometer
Matrix size:	336 x 256 px
Pixel pitch:	17 µm
Thermal sensitivity (NETD):	< 40 mK @ F1.0
Spectral range:	7 µm ... 14 µm
Color palettes:	14
Lens:	100 mm
View angle:	3.3 °
Resolution:	1280 x 1024 - 1.4 Mpx , 1280 x 720 - 720p , 640 x 512 - 0.3 Mpx
Operation modes:	Main and sub streams may be in any configuration Firmware 2.401.0000.1.R.3019.9A.NR, build : 2016-08-02 • Main stream : 1280 x 1024, 1280 x 720 • Sub stream : 640 x 512, 320 x 252

VIDEO CAMERA:

Sensor:	1/1.9 " Progressive Scan Exmor CMOS
Matrix size:	2.1 Mpx
Scanning system:	Progressive



DELTA-OPTI Monika Matysiak; <https://www.delta.poznan.pl>
POL; 60-713 Poznań; Graniczna 10
e-mail: delta-opti@delta.poznan.pl; tel: +(48) 61 864 69 60

Lens:	6 ... 180 mm
View angle:	61 ° ... 2.32 °
Optical zoom:	x 30
Digital zoom:	x 16
Min. illumination:	0.001 Lux (color) @ F1.5 0.0001 Lux (B/W) @ F1.5
S/N ratio:	> 56 dB (AGC off)
Resolution:	1920 x 1080 - 1080p 1280 x 720 - 720p 704 x 576 - D1
Operation modes:	Main and sub streams may be in any configuration Firmware 2.401.0000.1.R.3019.9A.NR, build : 2016-08-02 • Main stream : 1920 x 1080, 1280 x 720, 704 x 576 • Sub stream : 704 x 576, 353 x 288

General information:

Standard:	TCP/IP, CVBS
Video output:	CVBS - 1 Vpp / 75 Ω, BNC
RS-485 interface:	✓
Memory card slot:	Micro SD memory cards up to 128GB support (possible local recording)
Image compression method:	H.264 / MJPEG
Alarm inputs / outputs:	7 / 2
Audio:	• External microphone input • Audio output
Bitrate:	1280 ... 14336 kbps - H.264
Main stream frame rate:	25 fps @ 1280 x 1024 25 fps @ 1080p
Network interface:	10/100 Base-T (RJ-45)
Network protocols:	IPv4/IPv6, HTTP, HTTPS, SSL, TCP/IP, UDP, UPnP, ICMP, IGMP, SNMP, RTSP, RTP, SMTP, NTP, DHCP, DNS, PPPoE, DDNS, FTP, IP Filter, QoS, Bonjour, 802.1x Radius
WEB Server:	Built-in, NVR compliance
Max. number of on-line users:	20
ONVIF:	2.42
Mobile phones support:	Port 37777 • Android: Free application DMSS • iOS (iPhone): Free application DMSS
Default IP address:	192.168.1.108
Default admin user / password:	admin / admin
Web browser access ports:	80, 37777
PC client access ports:	37777
Mobile client access ports:	37777
Port ONVIF:	80
RTSP URL:	rtsp://admin:haslo@192.168.1.108:554/cam/realmonitor?channel=1&subtype=0 - Main stream rtsp://admin:haslo@192.168.1.108:554/cam/realmonitor?channel=1&subtype=1 - Sub stream
Preset rotation speed:	• 160 °/s (horizontal) • 60 °/s (vertical)



Rotation speed (manual control):	<ul style="list-style-type: none"> • 0.1 °/s ... 160 °/s (horizontal) • 0.1 °/s ... 60 °/s (vertical)
Horizontal rotation range:	360 ° - continuous
Vertical rotation range:	-40 ° ... 90 °
Protocols:	DH-SD, Pelco-P, Pelco-D
Number of presets:	300
Horizontal scan:	✓
Route settings:	5
Main features:	<ul style="list-style-type: none"> • DDE (Digital Detail Enhancement) - for high dynamic images, it automatically adjusts the contrast of the image to the temperature parameters. The DDE function is the ideal tool for quick and accurate testing of electrical installations. Thanks to it the image is much more detailed and sharpened • FFC (Flat Field Correction) - background correction function - typically, it allows to raise the image intensity to x2. It compensates the lighting non-uniformities on the sensor • ROI - improve the quality of selected parts of image • 3D-DNR - Digital Noise Reduction • AGC - Automatic Gain Control • Motion Detection • Configurable Privacy Zones • PIP - Picture In Picture • IVS analysis : crossing the line (tripwire), intrusion, abandoned/missing object, object detection (people, vehicle), fire detection • WDR - 120 dB - Wide Dynamic Range • BLC/HLC - Back Light / High Light Compensation • Intelligent Object Tracking • Motion Detection • Sharpness - sharper image outlines • Mirror - Mirror image • Day/Night mode (color/b&w/auto) • ICR - Movable InfraRed filter • Wiper • The device has a built-in heater
Power supply:	24 V AC / 2900 mA (power adapter included)
Power consumption:	≤ 70 W
"Index of Protection":	IP66
Color:	White
Operation temp:	-40 °C ... 70 °C
Weight:	13.29 kg
Dimensions:	252 x 360 x 464 mm
Supported languages:	English
Manufacturer / Brand:	DAHUA
Guarantee:	3 years

PRESENTATION

Front view:



DELTA-OPTI Monika Matysiak; <https://www.delta.poznan.pl>
 POL; 60-713 Poznań; Graniczna 10
 e-mail: delta-opti@delta.poznan.pl; tel: +(48) 61 864 69 60



Side view:

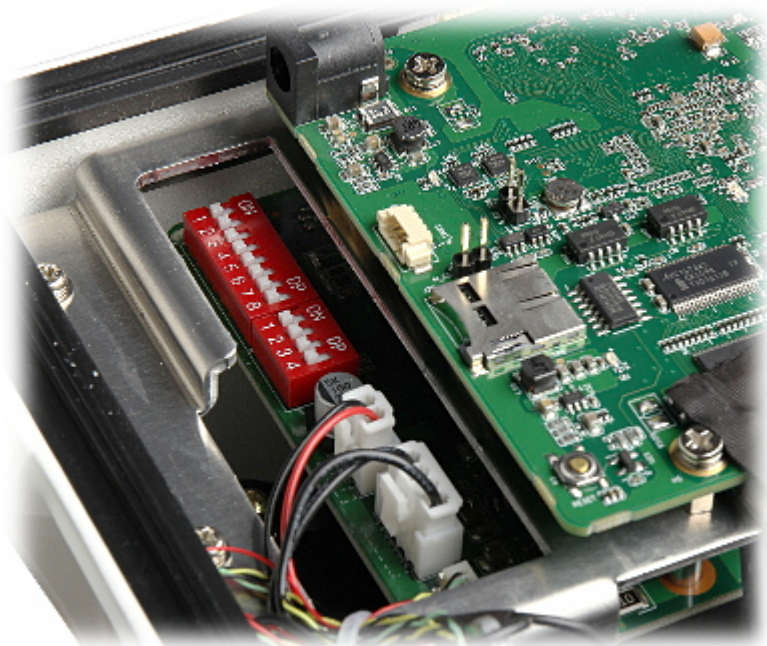


Rear view:

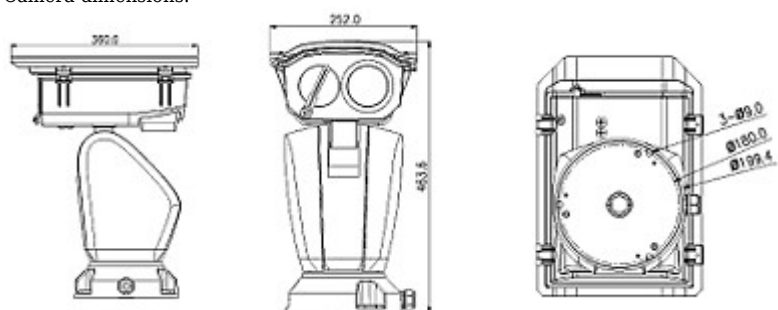


Internal view, after remove the cover:





Camera dimensions:



Camera connectors:



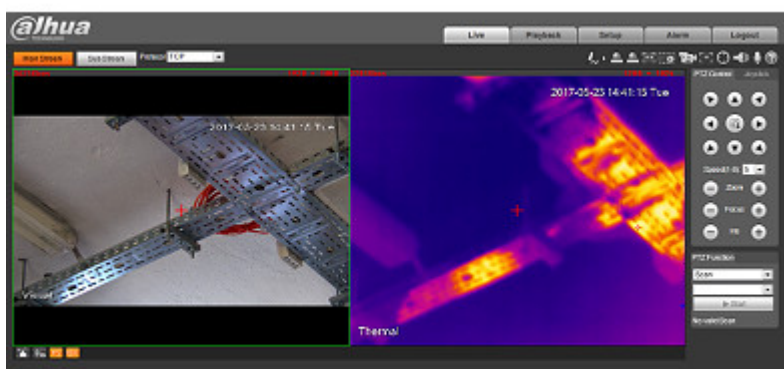
Connectors description:



In the kit:



Example captures of device interface:



OUR TESTS

Camera image at artificial illumination (about 30Lux):



Camera image at night conditions with external IR illuminator on:



DELTA-OPTI Monika Matysiak; <https://www.delta.poznan.pl>
 POL; 60-713 Poznań; Graniczna 10
 e-mail: delta-opti@delta.poznan.pl; tel: +(48) 61 864 69 60

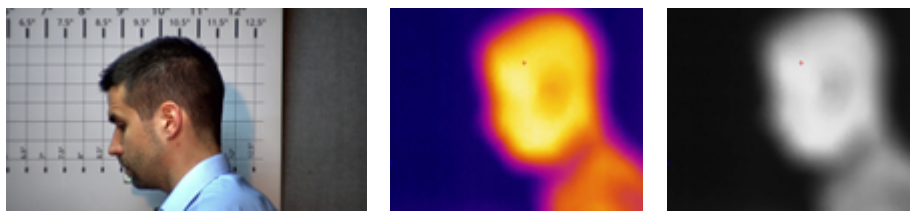
Camera image at direct strong light opposite to camera:



Camera image at night conditions, at different illumination values show below:



Image comparison of the video camera and the thermal imaging camera in sample color pallets:



PACKAGE

Dimensions (L x W x H): 0x0x0 mm	Gross Weight: 0 kg
----------------------------------	--------------------



DELTA-OPTI Monika Matysiak; <https://www.delta.poznan.pl>
POL; 60-713 Poznań; Graniczna 10
e-mail: delta-opti@delta.poznan.pl; tel: +(48) 61 864 69 60