

Code: PORT-22

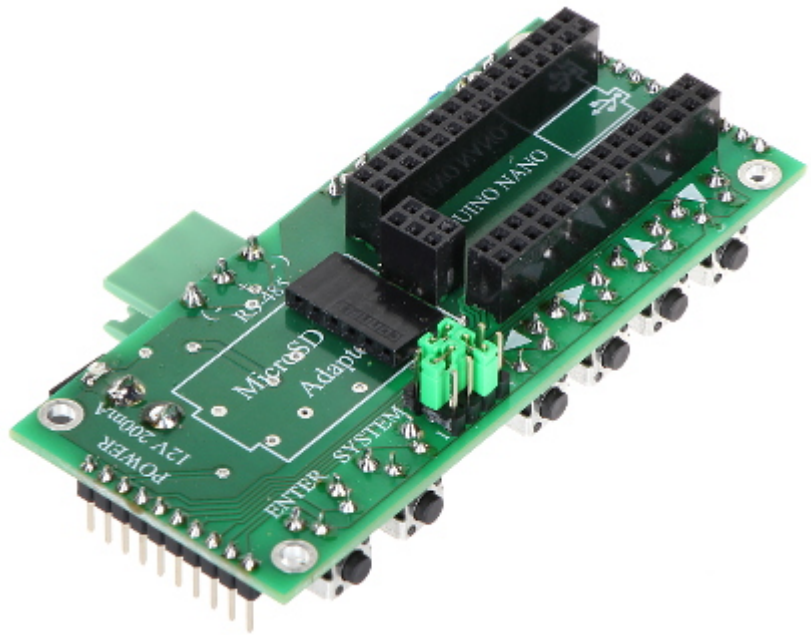
## CHARACTER GENERATOR CONVERTER OSD **PORT-22**

Net: **592.73 CZK** Gross: **592.73 CZK**

The PORT-22 allows you to easily implement your own solutions based on the OSD-50HD device.

The device allows to connect ARDUINO or NUCLEO and match existing protocols based on RS-485 or RS-232.

**For more information about OSD systems, visit [www.osd.systems](http://www.osd.systems)**



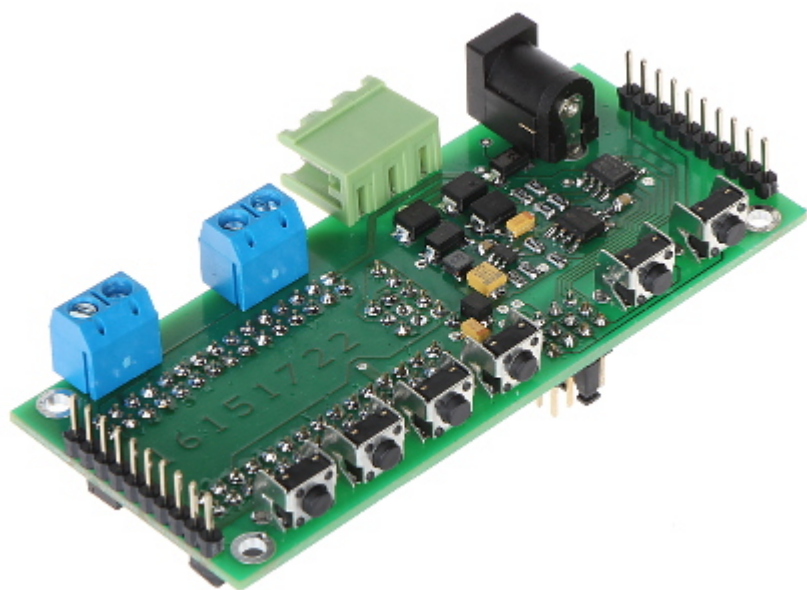
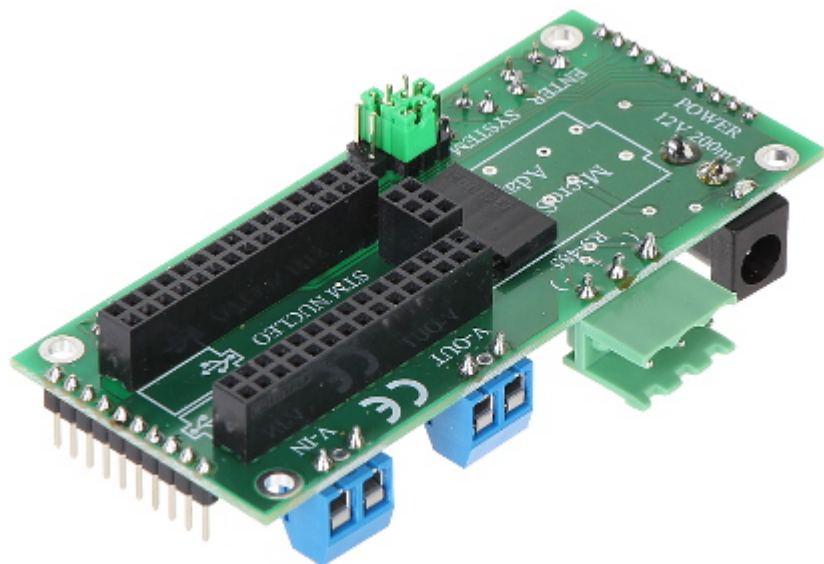
### SPECIFICATION

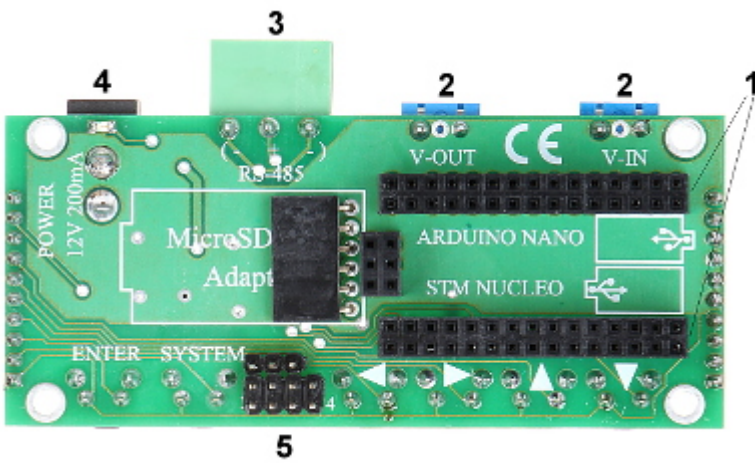
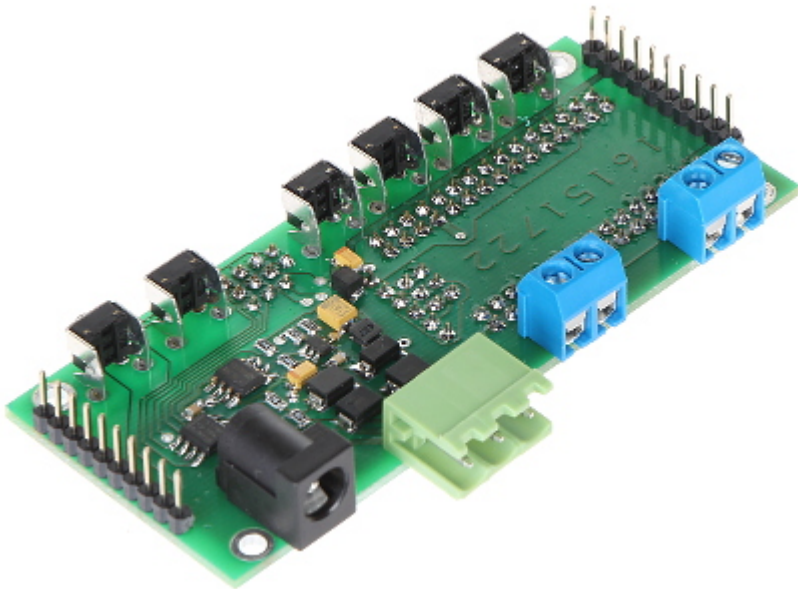
Support:	OSD-50HD
Number of video inputs:	1 x Cable terminals
Number of video outputs:	1 x Cable terminals
Range RS-485:	1200 m terminal connector
Built-in stabilizer:	✓
PCB casing:	—
Communication:	<ul style="list-style-type: none"><li>• RS-485,</li><li>• RS-485 TTL,</li><li>• MODBUS,</li><li>• Arduino,</li><li>• STM Nucleo,</li><li>• Service buttons - 6 pcs</li></ul>
Power supply:	12 V / 200 mA (power adapter not included)
Communication using optional devices:	<ul style="list-style-type: none"><li>• RS-485 switch</li><li>• Micro SD - Card</li></ul>
Weight:	0.03 kg
Dimensions:	90 x 48 x 20 mm
Manufacturer / Brand:	DELTA
Guarantee:	<b>3 years</b>

### PRESENTATION

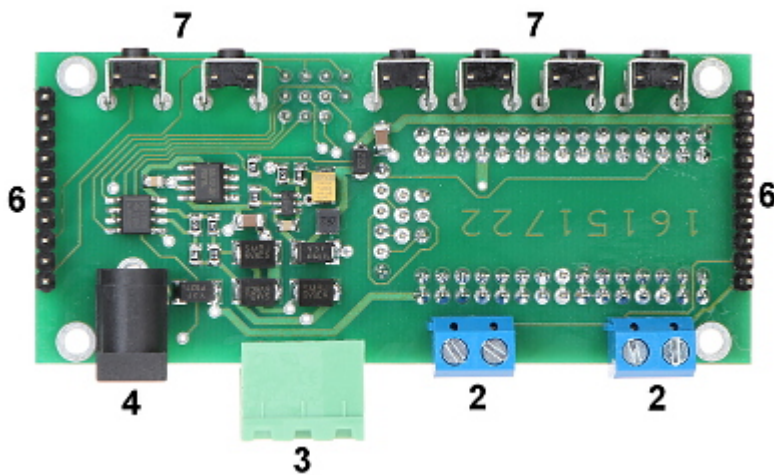
DELTA-OPTI Monika Matysiak; <https://www.delta.poznan.pl>  
POL; 60-713 Poznań; Graniczna 10  
e-mail: [delta-opti@delta.poznan.pl](mailto:delta-opti@delta.poznan.pl); tel: +(48) 61 864 69 60

Connectors:



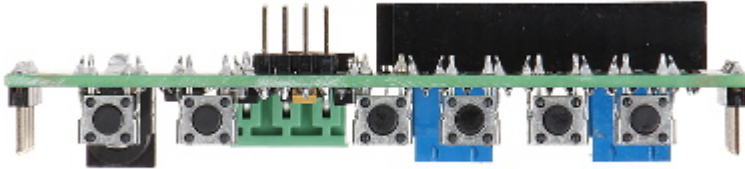
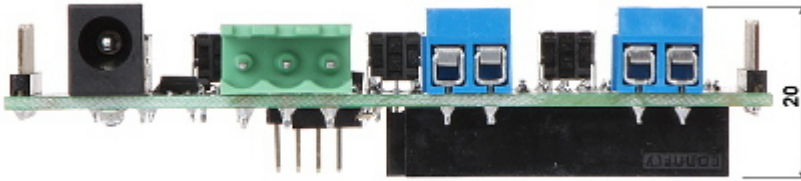


1. Socket compatible with ARDUINO NANO and STM NUCLEO
2. Video input and output
3. Port RS-485
4. Power supply DC 12V/200mA
5. Configuration connector



2. Video input and output
3. Port RS-485
4. Power supply DC 12V/200mA
6. Connector compatible with the OSD-50HD
7. Service buttons





The OSD-50HD control can be implemented in several ways:

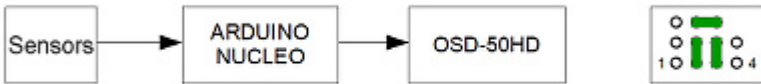
RS-485 direct connection to the OSD-50HD - for example for the OSD-50HD hardware update:



RS-485 connection to the ARDUINO / NUCLEO:



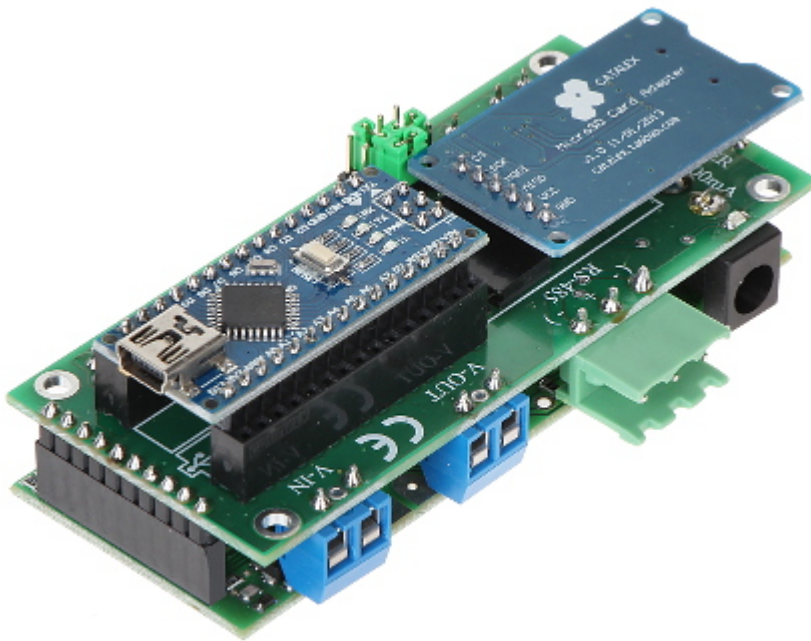
Direct sensors connection to the ARDUINO / NUCLEO:



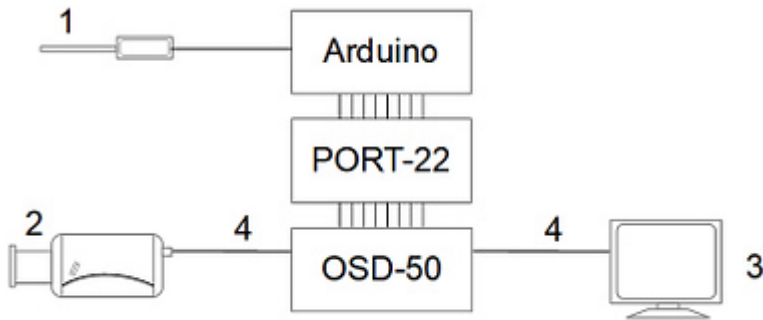
Cooperation between PORT-22 and Arduino and the microSD memory card slot:





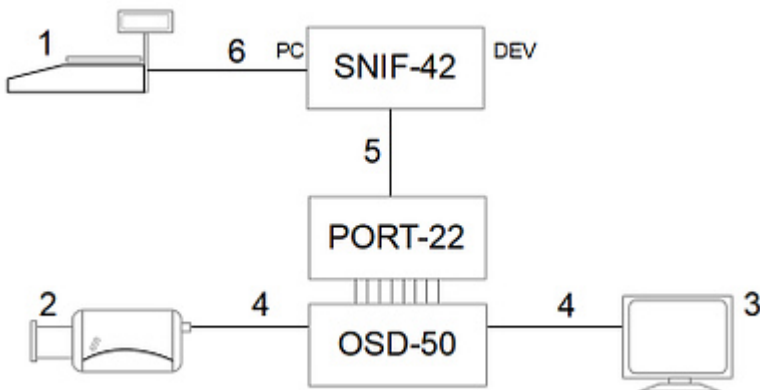


An example of connecting a temperature sensor:



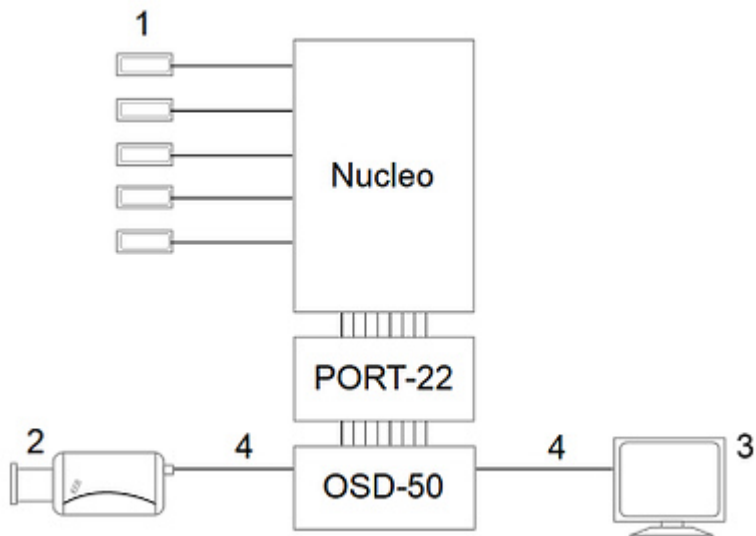
- 1. Temperature Sensor
- 2. Camera
- 3. Monitor
- 4. Video signal

Configuration with using a scale:



- 1. Electronic scale
- 2. Camera
- 3. Monitor
- 4. Video signal
- 5. RS-485
- 6. RS-232

An example of connecting several sensors:



- 1. Sensors
- 2. Camera
- 3. Monitor
- 4. Video signal

OSD Systems - the presentation:

:

An exemplary OSD system for analogue HD cameras based on arduino nano using selected sensors:

:

Example of application:

:

#### PACKAGE

Dimensions (L x W x H): 0x0x0 mm	Gross Weight: 0 kg
----------------------------------	--------------------

