

Code: OR-AE-1306

VOLTAGE TESTER **OR-AE-1306** ORNO

Net: **4.08 EUR** Gross: **4.08 EUR**



Universal tester that detects direct and alternating current and breaks in electric circuits. The tester is equipped with red and green LEDs and buzzer. For use in craft workshops, domestic households and hobby works.

SPECIFICATION

Main features:	<ul style="list-style-type: none">• The AC electric installations test• Wire continuity test• Batteries polarization test
Operation mode:	<ul style="list-style-type: none">• contact• non-contact (induction)
AC voltage range:	70 ... 250 V - contact 70 ... 1000 V - non-contact (induction)
DC voltage range:	≤ 250 V
Batteries polarization test:	1.2 ... 36 V DC
Wire continuity test:	0 ... 100 MΩ
Power supply:	2 x 1.5 V LR44 - included
Weight:	0.026 kg
Dimensions:	144 x 18 x 16 mm
Manufacturer / Brand:	ORNO
Guarantee:	2 years

PRESENTATION

DELTA-OPTI Monika Matysiak; <https://www.delta.poznan.pl>
POL; 60-713 Poznań; Graniczna 10
e-mail: delta-opti@delta.poznan.pl; tel: +(48) 61 864 69 60



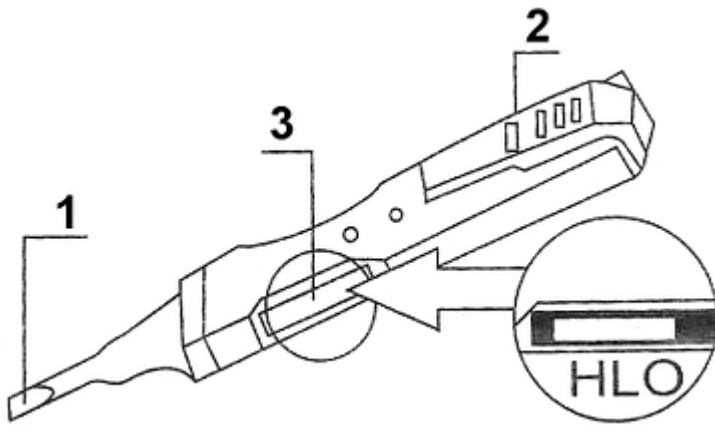
Bottom view (place for batteries):



Sensitivity switch:



Particular elements:



1) Arrowhead

2) Contact

3) Sensitivity switch

H - non-contact method AC (high) - green LED + buzzer

L - non-contact method AC (low) - green LED + buzzer

O - contact method - red LED

In the kit:



PACKAGE

Dimensions (L x W x H): 0x0x0 mm	Gross Weight: 0 kg
----------------------------------	--------------------

