

Code: TR-16E/DC-RACK

VIDEO BALUN TR-16E/DC-RACK

Net: 88.00 EUR Gross: 88.00 EUR

The TR-16E/DC-RACK is designed to video signals transmission and power supplying via twisted-pair cable (UTP, FTP). The device adapts the impedance of coaxial cable 75Ω to the impedance of symmetrical line, ensuring transmission of video signal up to 400m (twisted-pair cable category 5) and eliminates asymmetric interferences. Video signal is sent over one pair of a twisted-pair cable, the remaining three pairs are used for supplying power.

The device consists of four independent modules (A, B, C and D - marked on the below picture), what allows to use it at different power configurations. Each module can be powered by a separate adapter eg 12V DC, 24V AC or 40V DC. With a single power supply voltage is applied to the four lines at the same time. The modules can be of course connected in parallel, what enables to use a single power supply adapter to 16 cameras powering.



SPECIFICATION

Standard:	<ul style="list-style-type: none">• AHD - 5 Mpx,• HD-CVI - 8 Mpx 4K UHD,• HD-TVI - 8 Mpx 4K UHD,• CVBS - PAL, NTSC
Input voltage:	max. 40 V DC max. 4 x 10 A
Device type:	Passive
Number of channels:	16 Video + DC
Coaxial socket voltage range 75Ω (CVBS):	1 Vpp
Output current:	max. 2.5 A @ 1 ... 16
Video transmission range:	<ul style="list-style-type: none">• 250 m @ 720p - UTP cat. 5e• 150 m @ 1080p - UTP cat. 5e• 400 m @ CVBS - PAL, NTSC - UTP cat. 5e
Output voltage:	max. 40 V
Attenuation:	<ul style="list-style-type: none">• 4.43 MHz @ 0.73 dB• 11 MHz @ 1.24 dB• 21 MHz @ 2.16 dB• 38 MHz @ 3.35 dB• 42 MHz @ 3.54 dB• 67.5 MHz @ 3.72 dB
Main features:	On the device mainboard there are holes to cables mounting using cable ties
Symmetrical socket impedance:	100 Ω
Connectors type:	<ul style="list-style-type: none">• Video - 16 x BNC Socket• DC - Cable terminals
Symmetrical socket type:	Cable terminals
Housing type:	RACK 19", 1U
Permissible relative humidity:	< 95 %
Operation temp:	-40 °C ... 55 °C

DELTA-OPTI Monika Matysiak; <https://www.delta.poznan.pl>
POL; 60-713 Poznań; Graniczna 10
e-mail: delta-opti@delta.poznan.pl; tel: +(48) 61 864 69 60

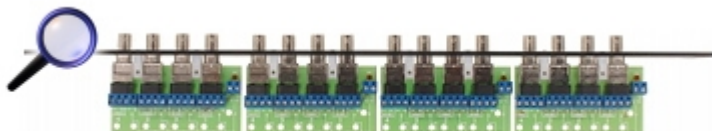
Power supply distance:	<ul style="list-style-type: none"> • Power supply 12V DC 353 m @ 50 mA 235 m @ 75 mA 176 m @ 100 mA 141 m @ 125 mA 117 m @ 150 mA 88 m @ 200 mA 70 m @ 250 mA 58 m @ 300 mA 50 m @ 350 mA 44 m @ 400 mA 39 m @ 450 mA 35 m @ 500 mA 29 m @ 600 mA 25 m @ 700 mA 22 m @ 800 mA 19 m @ 900 mA 17 m @ 1000 mA
Weight:	0.610 kg
Dimensions:	483 x 44 x 70 mm
Guarantee:	3 years
Manufacturer / Brand:	DELTA

PRESENTATION

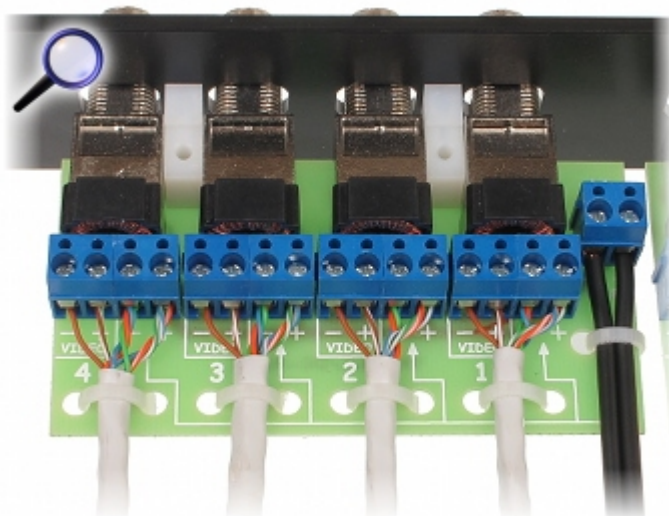
Front panel view:



Top view:



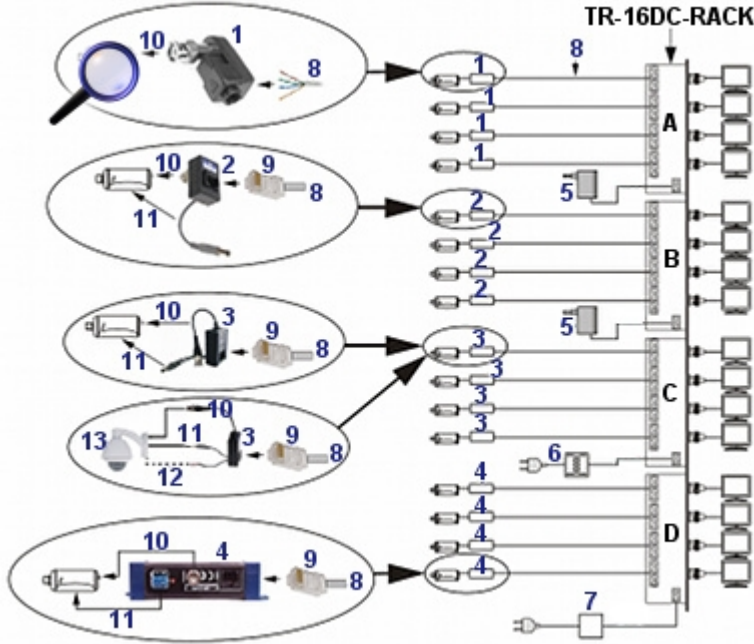
Connecting of the single module:



In the kit:

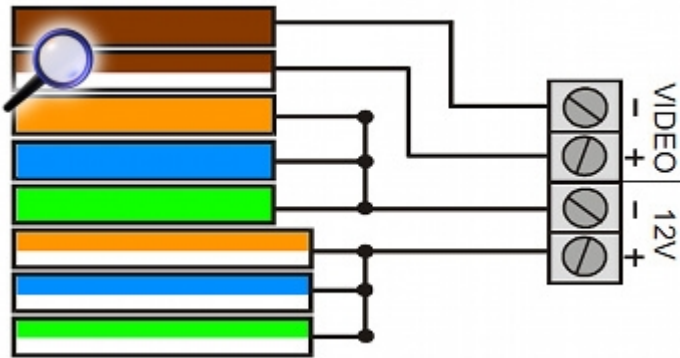


Example of the connection diagram with using different power voltages for individual modules:

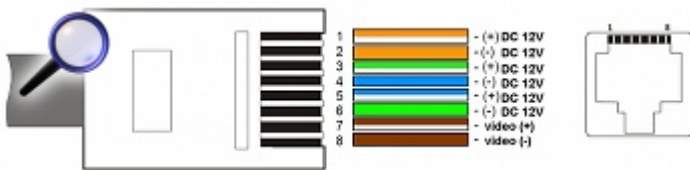


- 1) TR-1M/70
- 2) TR-1PV/70
- 3) TR-1AC/DC
- 4) TRN-1/400
- 5) DC 12V power adapter
- 6) 24V AC transformer (24V/2A/TRF)
- 7) ZK-40/6
- 8) Twisted-pair cable
- 9) RJ-45 plug
- 10) Video signal
- 11) 12V DC camera powering
- 12) DATA connection
- 13) (12V) Speed Dome camera

Connecting the twisted-pair cable wires (based on colors) to the single input/output:

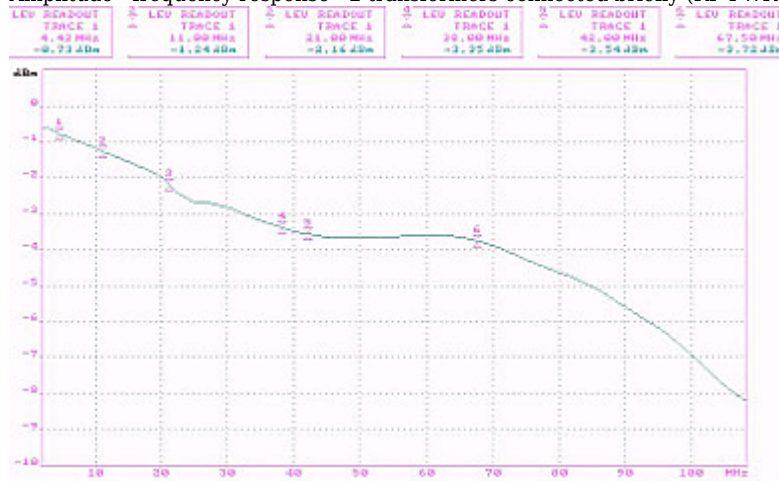


Wiring sequence (based on colors) inside the RJ-45 plug:



OUR TESTS

Amplitude - frequency response - 2 transformers connected briefly (RF PWR OUT = 0 dBm):



PACKAGE

Dimensions (L x W x H): 0x0x0 mm	Gross Weight: 0 kg
----------------------------------	--------------------

