

Code: LTR-4/70

VIDEO BALUN COUPLER LTR-4/70

Net: 4.82 EUR Gross: 4.82 EUR

The LTR-4/70 is designed to video signals transmission and power supplying via twisted-pair cable (UTP, FTP).



SPECIFICATION

Standard:	<ul style="list-style-type: none">• AHD - 720p,• HD-CVI - 720p,• HD-TVI - 720p,• CVBS - PAL, NTSC
Input voltage:	12 V DC 12 V DC
Device type:	Passive
Number of channels:	4 Video 4 DC
Coaxial socket voltage range 75Ω (CVBS):	1 Vpp
Video transmission range:	<ul style="list-style-type: none">• 250 m @ 720p - UTP cat. 5e• 400 m @ CVBS - PAL / NTSC - UTP cat. 5e
Output voltage:	12 V DC max. 1 A
Permissible relative humidity:	< 95 %
Operation temp:	-50 °C ... 55 °C
Power supply distance:	<ul style="list-style-type: none">• Power supply 12V DC 353 m @ 50 mA 235 m @ 75 mA 176 m @ 100 mA 141 m @ 125 mA 117 m @ 150 mA 88 m @ 200 mA 70 m @ 250 mA 58 m @ 300 mA 50 m @ 350 mA 44 m @ 400 mA 39 m @ 450 mA 35 m @ 500 mA 29 m @ 600 mA 25 m @ 700 mA 22 m @ 800 mA 19 m @ 900 mA 17 m @ 1000 mA
Weight:	0.05 kg

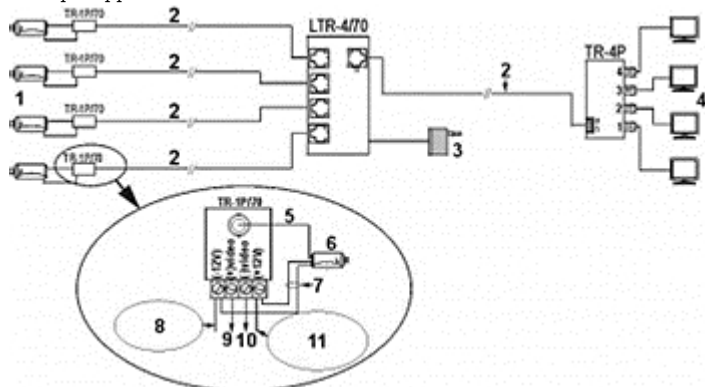
DELTA-OPTI Monika Matysiak; <https://www.delta.poznan.pl>
POL; 60-713 Poznań; Graniczna 10
e-mail: delta-opti@delta.poznan.pl; tel: +(48) 61 864 69 60

Dimensions:	77 x 36 x 26 mm
Guarantee:	3 years
Manufacturer / Brand:	DELTA

PRESENTATION



Example application for CVBS/PAL cameras:



- 1) Cameras
- 2) Twisted-pair cable
- 3) DC 12V power adapter
- 4) Monitors
- 5) video signal from camera
- 6) Camera
- 7) 12V DC camera powering
- 8) orange, green, blue

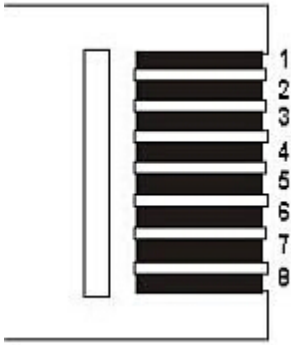
DELTA-OPTI Monika Matysiak; <https://www.delta.poznan.pl>
 POL; 60-713 Poznań; Graniczna 10
 e-mail: delta-opti@delta.poznan.pl; tel: +(48) 61 864 69 60

9) white-brown

10) brown

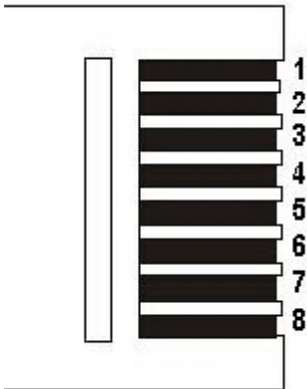
11) white-orange, white-green, white-blue

Wiring sequence inside the RJ-45 plug:



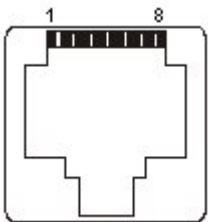
Between TR-4P and LTR-4P/70 coupler

- 1) White/Orange - camera No.1 signal (+)
- 2) Orange - camera No.1 signal (-)
- 3) white/green - camera no.2 (+) signal
- 4) blue - camera no. 3 (-) signal
- 5) white/blue - camera no. 3 (+) signal
- 6) green - camera no. 2 (-) signal
- 7) white/brown - camera no. 4 (+) signal
- 8) brown - camera no. 4 (-) signal



Between TR-1P/70 and LTR-4P/70 coupler

- 1) White/Orange - power supply 12V (+)
- 2) Orange - power supply 12V (-)
- 3) White/Green - power supply 12V (+)
- 4) Blue - power supply 12V (-)
- 5) White/Blue - power supply 12V (+)
- 6) Green - power supply 12V (-)
- 7) White-brown - camera video signal (+)
- 8) Brown - camera video signal (-)



PACKAGE

Dimensions (L x W x H): 0x0x0 mm	Gross Weight: 0 kg
----------------------------------	--------------------