

Code: IPC-HFW3842T-ZAS-2712-BLACK

IP CAMERA **IPC-HFW3842T-ZAS-2712-BLACK** - 8.3 Mpx 4K UHD 2.7 ... 12 mm - MOTOZOOM DAHUA

Net: **7 471.30 SEK** Gross: **7 471.30 SEK**

IP camera with efficient H.264 / H.265 image compression algorithm for clear and smooth video streaming at maximal resolution of 8.3 MPx, 4K UHD. Due to above it is perfect solution for surveillance systems requiring persons or vehicles recognition.

The used motozoom lens with 2.7 ... 12 mm focal length allows to remote view angle adjustment. Thanks to the "Starlight" technology used, the camera only needs very low lighting to obtain a clear color image. PoE powering possibility, compatible with the 802.3af standard makes the device more universal and easier to install.

Camera is according to IP67 Index of Protection norm.



SPECIFICATION

| | |
|---------------------------|---|
| Standard: | TCP/IP |
| Sensor: | 1/1.8 " Progressive Scan CMOS |
| Matrix size: | 8.3 Mpx 4K UHD |
| Resolution: | 3840 x 2160 - 8.3 Mpx 4K UHD , 3072 x 2048 - 6 Mpx , 3072 x 1728 - 5 Mpx , 2592 x 1944 - 5 Mpx , 2688 x 1520 - 4 Mpx , 2560 x 1440 - 3.7 Mpx , 2048 x 1536 - 3 Mpx , 2304 x 1296 - 3 Mpx , 1920 x 1080 - 1080p , 1280 x 960 - 1.3 Mpx , 1280 x 720 - 720p |
| Lens: | 2.7 ... 12 mm - Motozoom |
| View angle: | • 113 ° ... 47 ° (manufacturer data) • 106 ° ... 47 ° (our tests result) |
| Compression: | H.265+ / H.265 / H.264+ / H.264 / MJPEG |
| Range of IR illumination: | 60 m |
| Alarm inputs / outputs: | 1 / 1 |
| Main stream frame rate: | 25 fps @ 8 Mpx |
| Network interface: | 10/100 Base-T (RJ-45) |

DELTA-OPTI Monika Matysiak; <https://www.delta.poznan.pl>
POL; 60-713 Poznań; Graniczna 10
e-mail: delta-opti@delta.poznan.pl; tel: +(48) 61 864 69 60

| | |
|--------------------------------|---|
| Audio: | <ul style="list-style-type: none"> • Microphone built-in, • Audio input • Audio output • Bi-directional audio streaming support • Audio detection • Compliance with the AAC standard |
| WEB Server: | Built-in |
| Memory card slot: | Micro SD memory cards up to 256GB support (possible local recording) |
| Max. number of on-line users: | 20 |
| ONVIF: | 22.06 |
| Mobile phones support: | Port no.: 37777 or access by a cloud (P2P) <ul style="list-style-type: none"> • Android: Free application DMSS • iOS (iPhone): Free application DMSS |
| Default admin user / password: | admin / - The administrator password should be set at the first start |
| Default IP address: | 192.168.1.108 |
| Web browser access ports: | 80, 37777 |
| PC client access ports: | 37777 |
| Mobile client access ports: | 37777 |
| Port ONVIF: | 80 |
| RTSP URL: | rtsp://admin:hasło@192.168.1.108:554/cam/realmonitor?channel=1&subtype=0 - Main stream rtsp://admin:hasło@192.168.1.108:554/cam/realmonitor?channel=1&subtype=1 - Sub stream |
| Main features: | <ul style="list-style-type: none"> • WDR - 120 dB - Wide Dynamic Range • 3D-DNR - Digital Noise Reduction • EIS - Electronic Image Stabilization • ROI - improve the quality of selected parts of image • F-DNR (Defog) - Reduction of image noise caused by precipitation • Quick Pick - AI technology enabling, together with the recorder, quick identification of interesting objects (people/vehicles) based on an artificial intelligence algorithm. It allows to extract and compare the colors of clothes and vehicles • AI SSA AI Smart Scene Adaptive - scene auto-adaptation using deep learning algorithms to detect environmental conditions such as rain, fog, backlight, low light and flickering, in order to set the optimal image parameters • AFSA - Anti-flicker Self-adaption - The technology eliminates the tiring eyes flickering image effect • SMD 4.0 - searching for an object classified as: human, motor vehicle - increased detection distance and resistance to false alarms • BLC - Back Light Compensation • HLC - High Light Compensation (spot) • ICR - Movable InfraRed filter • AGC - Automatic Gain Control • Motion Detection - max. 4 zones • Privacy zones - max. 4 • Auto White Balance • IVS analysis : crossing the line (tripwire), intrusion - classification of people and vehicles, Smart motion detection (with recognizing people and vehicles) |
| Power supply: | <ul style="list-style-type: none"> • PoE (802.3af), • 12 V DC / 740 mA |
| Power consumption: | <ul style="list-style-type: none"> • ≤ 8.9 W @ 12 V DC • ≤ 10.4 W @ PoE |
| Housing: | Compact, Metal |
| Color: | Black |
| "Index of Protection": | IP67 |
| Operation temp: | -30 °C ... 60 °C |
| Supported languages: | Polish, English, Czech, French, Spanish, Dutch, German, Portuguese, Russian, Romanian, Turkish, Hungarian, Italian |



| | |
|-----------------------|------------------|
| Weight: | 0.84 kg |
| Dimensions: | 239 x 91 x 91 mm |
| Manufacturer / Brand: | DAHUA |
| Guarantee: | 3 years |

PRESENTATION

Front view:



Side view:



Mounting side view:



Memory card slot and "Reset" button:



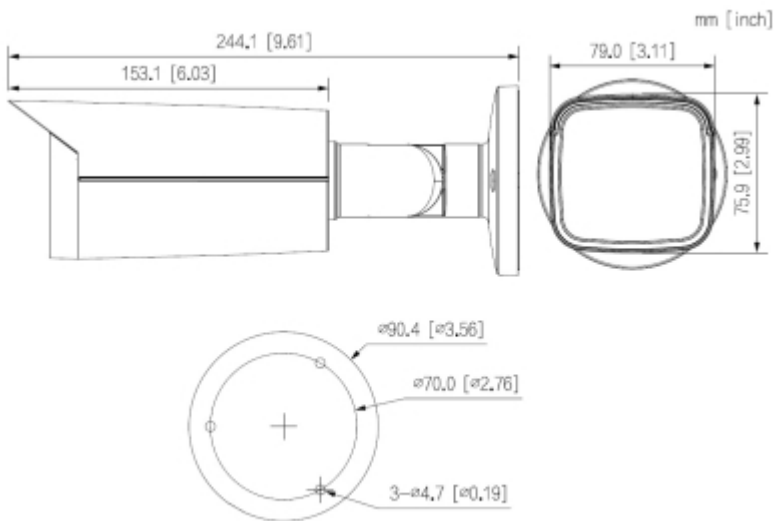
Camera connectors:



Connectors description:



Dimensions:



See how to initialize DAHUA cameras:

:

In the kit:



OUR TESTS

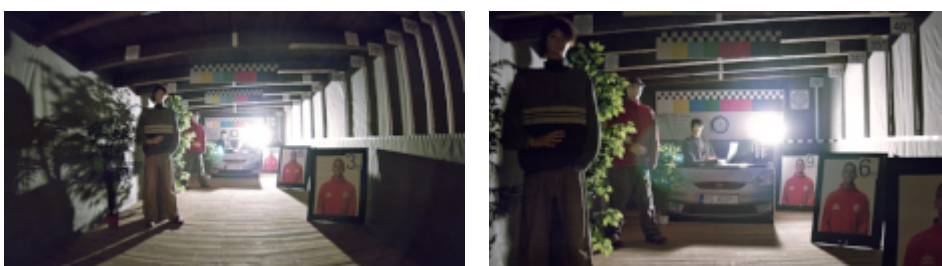
Camera image at artificial illumination (about 30Lux):



Camera image at night conditions with internal built-in IR illuminator on:



Camera image at direct strong light opposite to camera:



OUR OPINIONS



- Thanks to the "Starlight" technology used, the camera only needs very low lighting to obtain a clear color image.

PACKAGE

| | |
|----------------------------------|--------------------|
| Dimensions (L x W x H): 0x0x0 mm | Gross Weight: 0 kg |
|----------------------------------|--------------------|

DELTA-OPTI Monika Matysiak; <https://www.delta.poznan.pl>
 POL; 60-713 Poznań; Graniczna 10
 e-mail: delta-opti@delta.poznan.pl; tel: +(48) 61 864 69 60