

Code: IPC-T122-PF40

IP CAMERA **IPC-T122-PF40** - 1080p 4 mm UNIARCH

Net: **59.09 USD** Gross: **59.09 USD**



IP camera with efficient H.265 / H.264 image compression algorithm for clear and smooth video streaming at maximal resolution of 1080p.

PoE powering possibility, compatible with the 802.3af standard makes the device more universal and easier to install. The range of IR illumination according to the manufacturer data, depends on outer conditions (visibility - air transparency, environment, wall colors ie. scene reflectance).

The UNIARCH series product has been designed to minimize costs while maintaining high quality and ease of use.

SPECIFICATION

| | |
|---------------------------|--|
| Standard: | TCP/IP |
| Sensor: | 1/2.9 " Progressive Scan CMOS |
| Matrix size: | 2.1 Mpx |
| Scanning system: | Progressive |
| Resolution: | 1920 x 1080 - 1080p , 1280 x 720 - 720p |
| Lens: | 4 mm |
| View angle: | <ul style="list-style-type: none">• 82 ° (manufacturer data)• 78 ° (our tests result) |
| Range of IR illumination: | 30 m |
| S/N ratio: | > 52 dB |
| RS-485 interface: | — |
| Memory card slot: | — |
| Image compression method: | Ultra 265 / H.265 / H.264 |
| Alarm inputs / outputs: | — |
| Audio: | — |
| Main stream frame rate: | 25 fps @ 1080p |
| Network interface: | 10/100 Base-T (RJ-45) |

DELTA-OPTI Monika Matysiak; <https://www.delta.poznan.pl>
POL; 60-713 Poznań; Graniczna 10
e-mail: delta-opti@delta.poznan.pl; tel: +(48) 61 864 69 60

| | |
|--------------------------------|--|
| Network protocols: | IPv4, IGMP, ICMP, ARP, TCP, UDP, DHCP, RTP, RTSP, RTCP, DNS, DDNS, NTP, UPnP, HTTP, RTMP |
| WEB Server: | Built-in |
| Max. number of on-line users: | 4 |
| ONVIF: | ✓ |
| Mobile phones support: | Access by a cloud (P2P) <ul style="list-style-type: none"> • Android: Free application Uniarch • iOS (iPhone): Free application Uniarch |
| Default IP address: | DHCP or 192.168.1.13 |
| Default admin user / password: | admin / 123456 |
| Web browser access ports: | 80, 554 |
| PC client access ports: | Port no.: 80 or access by a cloud (P2P) - PC: Free application Uniarch Client |
| Mobile client access ports: | 80 |
| Port ONVIF: | 80 |
| RTSP URL: | rtsp://192.168.1.13:554/unicast/c1/s0/live - Main stream rtsp://192.168.1.13:554/unicast/c1/s1/live - Sub stream |
| Main features: | <ul style="list-style-type: none"> • D-WDR - Wide Dynamic Range • 2D-DNR, 3D-DNR - Digital Noise Reduction • F-DNR (Defog) - Reduction of image noise caused by precipitation • ROI - improve the quality of selected parts of image • BLC/HLC - Back Light / High Light Compensation • Possibility to change the resolution, quality and bit rate • Motion Detection • Configurable Privacy Zones |
| Power supply: | <ul style="list-style-type: none"> • PoE (802.3af), • 12 V DC / 300 mA |
| Power consumption: | ≤ 3.5 W |
| Housing: | Dome, Metal + Plastic |
| Color: | White |
| "Index of Protection": | IP67 |
| Vandal-proof: | — |
| Operation temp: | -30 °C ... 60 °C |
| Weight: | 0.25 kg |
| Dimensions: | Ø 118 x 97 mm |
| Supported languages: | Polish, English, Italian |
| Manufacturer / Brand: | UNIVIEW / UNIARCH |
| Guarantee: | 3 years |

PRESENTATION

Internal view of the housing:



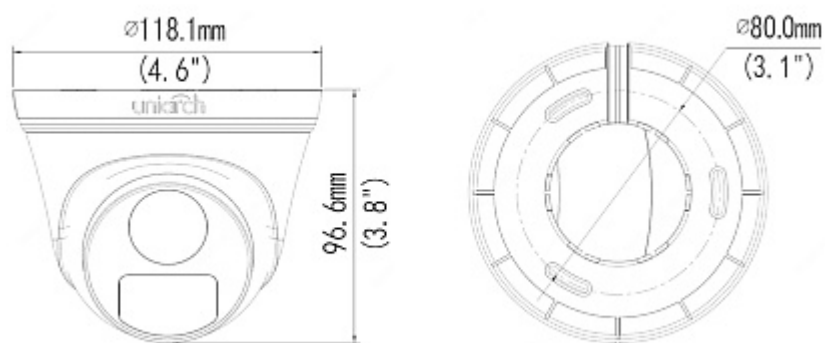
DELTA-OPTI Monika Matysiak; <https://www.delta.poznan.pl>
POL; 60-713 Poznań; Graniczna 10
e-mail: delta-opti@delta.poznan.pl; tel: +(48) 61 864 69 60



Mounting side view:



Camera dimensions:



In the kit:



OUR TESTS

Camera image at artificial illumination (about 30Lux):



Camera image at night conditions with internal built-in IR illuminator on:



Camera image at direct strong light opposite to camera:



OUR OPINIONS



- The camera is very easy to configure, and after plugging into the switch built in the Uniarch recorder, it configures and starts automatically.

PACKAGE

| | |
|----------------------------------|--------------------|
| Dimensions (L x W x H): 0x0x0 mm | Gross Weight: 0 kg |
|----------------------------------|--------------------|

