

Code: ARD821-W2(868)

WIRELESS PANIC BUTTON **ARD821-W2(868)** DAHUA

Net: **32.04 GBP** Gross: **32.04 GBP**

This button is a device designed to instantly trigger the alarm and (or) initiate the procedure of reporting an emergency situation in protected facility to the monitoring station.



SPECIFICATION

Support:	Wireless alarm systems DAHUA
Frequency band:	868 MHz
Radio communication range (at open area):	max. 1400 m (open area)
Number of buttons:	1
Main features:	<ul style="list-style-type: none">• Bidirectional communication• AES128 data encryption• LED indication• Frequency hopping against jamming for reliable transmission• Low battery indicator• "Index of Protection" : IP54
Power supply:	1 x battery CR2032 3V (included)
Battery lifetime:	~ 5 years
Operation temp:	-10 °C ... 55 °C
Permissible relative humidity:	10 % ... 90 %
Weight:	0.02 kg
Dimensions:	55 x 36 x 15 mm
Manufacturer / Brand:	DAHUA
Guarantee:	2 years

PRESENTATION

The device is tiny sizes:

DELTA-OPTI Monika Matysiak; <https://www.delta.poznan.pl>
POL; 60-713 Poznań; Graniczna 10
e-mail: delta-opti@delta.poznan.pl; tel: +(48) 61 864 69 60



Rear view:



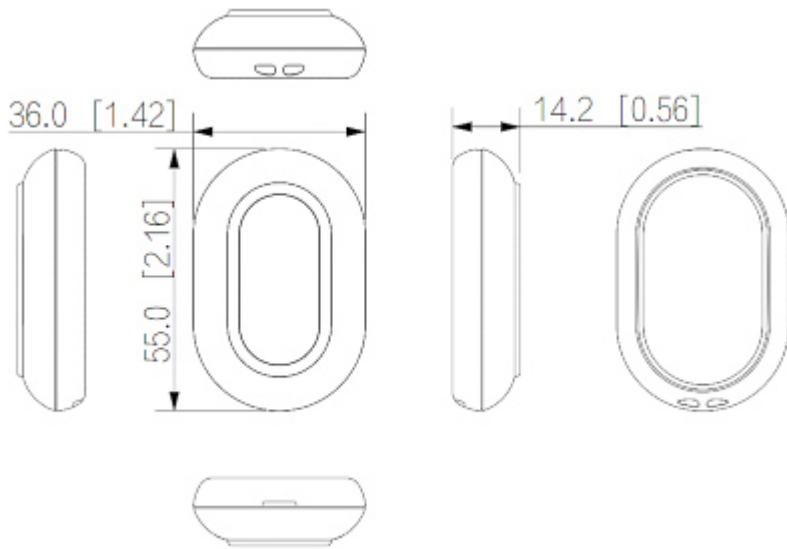
Internal view of the housing:



Dimensions:



DELTA-OPTI Monika Matysiak; <https://www.delta.poznan.pl>
POL; 60-713 Poznań; Graniczna 10
e-mail: delta-opti@delta.poznan.pl; tel: +(48) 61 864 69 60



In the kit:



PACKAGE

Dimensions (L x W x H): 0x0x0 mm	Gross Weight: 0 kg
----------------------------------	--------------------

