

Code: DS-2CD1127G2H-LIU(2.8MM)PL

IP VANDALPROOF CAMERA **DS-2CD1127G2H-LIU(2.8MM)PL** Smart Hybrid Light - 1080p Hikvision

Net: **178.92 EUR** Gross: **178.92 EUR**

IP camera with efficient H.265 / H.264 image compression algorithm for clear and smooth video streaming at maximal resolution of 1080p.

PoE powering possibility, compatible with the 802.3af standard makes the device more universal and easier to install.

Camera is according to IP67 Index of Protection norm.

Attention! The device is equipped with Smart Hybrid Light technology, thanks to which the user has a choice of white light mode and IR (infrared) mode. When Smart Hybrid Light is active, the white light will turn on automatically only when an object is detected in the monitored area, which effectively improves the image quality.



SPECIFICATION

Standard:	IP
Resolution:	1920 x 1080 - 1080p 1280 x 720 - 720p
Sensor:	1/2.8 " Progressive Scan CMOS
Lens:	2.8 mm
View angle:	96 °
Range of IR illumination:	30 m
White light LED illuminator range:	30 m
Memory card slot:	—
Image compression method:	H.265+ / H.265 / H.264+ / H.264 / MJPEG
Alarm inputs / outputs:	—
Audio:	<ul style="list-style-type: none">• Microphone built-in• Audio transmission via network• Compliance with the AAC standard• Noise and echo reduction
Main stream frame rate:	25 fps @ 1080p
Network interface:	10/100 Base-T (RJ-45)
WEB Server:	Built-in

DELTA-OPTI Monika Matysiak; <https://www.delta.poznan.pl>
POL; 60-713 Poznań; Graniczna 10
e-mail: delta-opti@delta.poznan.pl; tel: +(48) 61 864 69 60

Max. number of on-line users:	6
ONVIF:	✓
Main features:	<ul style="list-style-type: none"> • Smart Hybrid Light technology - IR or LED illuminator works in night mode. White light will turn on automatically only when an object is detected in the monitored area, which effectively improves image quality • D-WDR - Wide Dynamic Range • 3D-DNR - Digital Noise Reduction • ROI - improve the quality of selected parts of image • BLC - Back Light Compensation • HLC - High Light Compensation (spot) • Possibility to change the resolution, quality and bit rate • Image rotation and mirror • Sharpness - sharper image outlines • video tampering • Configurable Privacy Zones • Smart motion detection (with recognizing people and vehicles)
Mobile phones support:	Port no.: 8000 or access by a cloud (P2P) • Android: Free application Hik-Connect • iOS: Free application Hik-Connect
Default IP address:	192.168.1.64
Default admin user / password:	admin / - The administrator password should be set at the first start
Web browser access ports:	80
PC client access ports:	Port no.: 8000 or access by a cloud (P2P) - iVMS-4200 application
Mobile client access ports:	8000
Port ONVIF:	80
RTSP URL:	<ul style="list-style-type: none"> • Main stream : rtsp://user:password@192.168.1.64:554/Streaming/Channels/101/ • Sub stream : rtsp://user:password@192.168.1.64:554/Streaming/Channels/102/
Power supply:	<ul style="list-style-type: none"> • PoE (802.3af), • 12 V DC / 500 mA
Power consumption:	<ul style="list-style-type: none"> • ≤ 7.5 W @ PoE • ≤ 6 W @ 12 V DC
Housing:	Dome, Metal + Plastic
Color:	White
"Index of Protection":	IP67
IK rating:	IK08
Operation temp:	-30 °C ... 60 °C
Weight:	0.48 kg
Dimensions:	Ø 121 x 98 mm
Supported languages:	Polish
Manufacturer / Brand:	Hikvision
SAP Code:	31132731
Guarantee:	2 years

PRESENTATION

Camera is out from clamping ring:



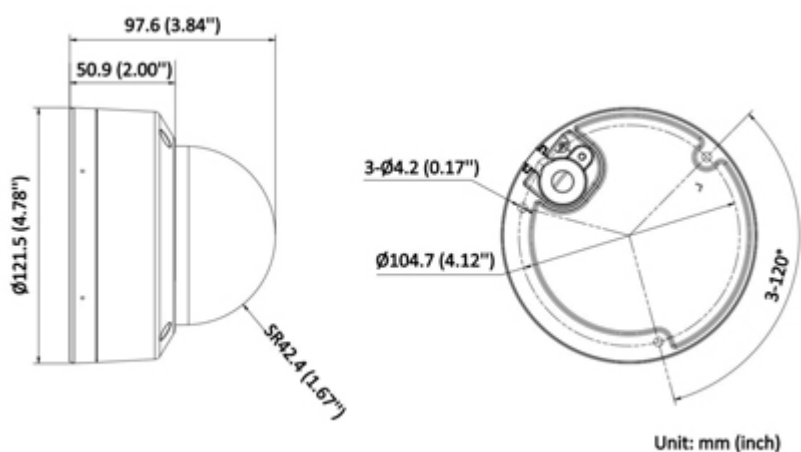
DELTA-OPTI Monika Matysiak; <https://www.delta.poznan.pl>
 POL; 60-713 Poznań; Graniczna 10
 e-mail: delta-opti@delta.poznan.pl; tel: +(48) 61 864 69 60



Mounting side view:



Dimensions:



In the kit:



PACKAGE

Dimensions (L x W x H): 0x0x0 mm	Gross Weight: 0 kg
----------------------------------	--------------------