

Code: OZP-100

DISTANCE CLAMP **OZP-100**

Net: **7.77 EUR** Gross: **7.77 EUR**



Clamp to mount two masts parallel to each other.

SPECIFICATION

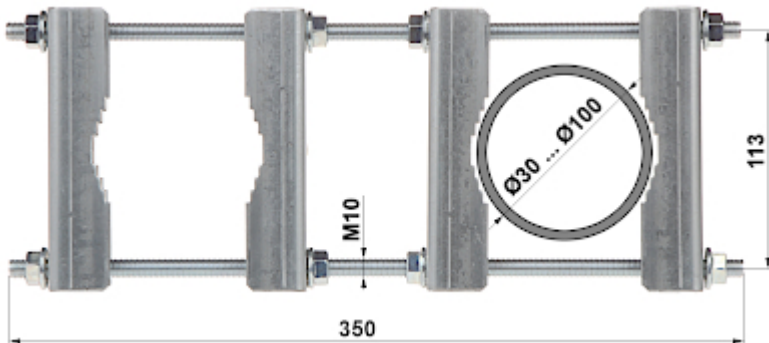
Material:	Steel galvanized
Mast diameter:	max. 100 mm
Main features:	The whole galvanized
Manufacturer / Brand:	DELTA
Guarantee:	3 years

PRESENTATION

Side view:



Dimensions:



PACKAGE

Dimensions (L x W x H): 0x0x0 mm Gross Weight: 0 kg

DELTA-OPTI Monika Matysiak; <https://www.delta.poznan.pl>
POL; 60-713 Poznań; Graniczna 10
e-mail: delta-opti@delta.poznan.pl; tel: +(48) 61 864 69 60



DELTA-OPTI Monika Matysiak; <https://www.delta.poznan.pl>
POL; 60-713 Poznań; Graniczna 10
e-mail: delta-opti@delta.poznan.pl; tel: +(48) 61 864 69 60