

Code: VTO2111D-P-S3

VIDEO DOORPHONE **VTO2111D-P-S3** DAHUA

Net: **207.90 EUR** Gross: **207.90 EUR**

The device works with video doorphones, and other DAHUA panels. Video Doorphone is mounted in a surface housing.



SPECIFICATION

Compatibility:	DAHUA
Sensor:	1/2.8 ", 2 Mpx CMOS
View angle:	107 °
Image compression method:	H.265 / H.264
IR illuminator:	✓
Resolution:	<ul style="list-style-type: none">• Main stream : 1280 x 720, 800 x 480, 720 x 576• Sub stream : 1920 x 1080, 800 x 480, 720 x 576, 352 x 288, 320 x 240
proximity reader built-in:	Access control cards - 13.56 MHz S50, Memory of 10 000 RFID cards
The number of subscribers served:	1
Main features:	<ul style="list-style-type: none">• It can only work with the mobile application, without the VTH monitor• The function of the monitor with the ability to open the door can be a smartphone, tablet or the VTH indoor panel• Motion Detection• D-WDR - Wide Dynamic Range• 3D-DNR - Digital Noise Reduction• Bidirectional communication,• Microphone built-in,• Speakers built-in,• Tamper detection - opening the enclosure,• Door contact and request button for exit inputs
Mobile phones support:	Port no.: 37777 or access by a cloud (P2P) <ul style="list-style-type: none">• Android: Free application DMSS• iOS (iPhone): Free application DMSS

DELTA-OPTI Monika Matysiak; <https://www.delta.poznan.pl>
POL; 60-713 Poznań; Graniczna 10
e-mail: delta-opti@delta.poznan.pl; tel: +(48) 61 864 69 60

Power supply:	<ul style="list-style-type: none"> • PoE (802.3af), • 12 V DC / 1000 mA
Power consumption:	<ul style="list-style-type: none"> • ≤ 1 W (Standby mode), • ≤ 5 W (operation)
Housing:	Plastic, Waterproof
Color:	Graphite
"Index of Protection":	IP65 - after additional sealing the housing connection with the mounting surface, e.g. with silicone
IK rating:	IK04
Operation temp:	-30 °C ... 60 °C
Weight:	0.16 kg
Dimensions:	135 x 71 x 35 mm
Supported languages:	Polish, English, Bulgarian, Czech, Finnish, Slovenian, Slovak, Hungarian
Manufacturer / Brand:	DAHUA
Guarantee:	3 years

PRESENTATION

Front view:



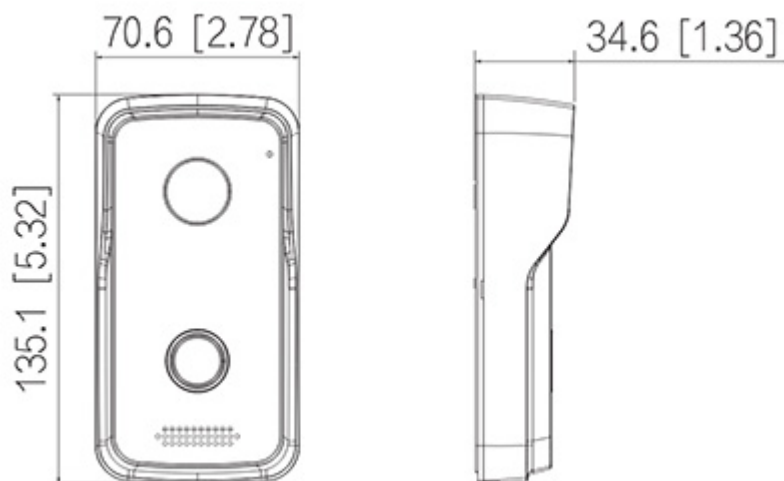
Rear view:



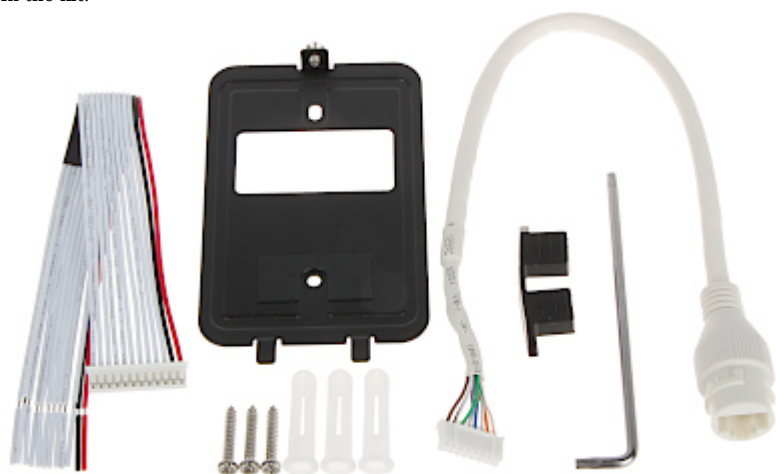
Connectors description:



Dimensions:



In the kit:



PACKAGE

Dimensions (L x W x H): 0x0x0 mm	Gross Weight: 0 kg
----------------------------------	--------------------