

Code: SD8A840-HNF-PA

# IP SPEED DOME CAMERA OUTDOOR **SD8A840-HNF-PA** - 8.3 Mpx, 4K UHD, 5.6 ... 223 mm DAHUA

Net: **4 762.15 USD** Gross: **4 762.15 USD**

IP camera equipped with very good high resolution sensor. Due to above it is perfect solution for surveillance systems requiring persons or vehicles recognition.

Built-in IR illuminator allows to operate at night conditions, and vari-focal lens with wide range of view angle adjustment enables optimal set the view field of camera to all conditions. The range of IR illumination according to the manufacturer data, depends on outer conditions (visibility - air transparency, environment, wall colors ie. scene reflectance).

Thanks to the "Starlight" technology used, the camera only needs very low lighting to obtain a clear color image. The biggest advantage of the camera is the lens with x40 optical zoom, which together with long range IR illuminator allow to 24 hours surveillance without any additional lighting even at area of several hundred meters.

In addition camera is equipped with lens wiper remote controlled via TCP/IP interface. For a few models of IP cameras working at  $\geq 1920 \times 1080$  resolution we recommend to use of network with 1Gb/s bandwidth.



## SPECIFICATION

Standard:	TCP/IP
Sensor:	1/1.8 " STARVIS™ CMOS
Matrix size:	8.3 Mpx
Resolution:	3840 x 2160 - 8.3 Mpx, 4K UHD , 2560 x 1440 - 4 Mpx , 1920 x 1080 - 1080p , 1280 x 960 - 1.3 Mpx , 1280 x 720 - 720p
Scanning system:	Progressive
Lens:	5.6 ... 223 mm
View angle:	63.9 ° ... 2.0 ° (manufacturer data)
Optical zoom:	x 40
Digital zoom:	x 16
Range of IR illumination:	500 m
S/N ratio:	$\geq 55$ dB (AGC off)
Video output:	1 Vpp / 75 $\Omega$
Preset rotation speed:	<ul style="list-style-type: none"><li>• 240 °/s (horizontal)</li><li>• 120 °/s (vertical)</li></ul>

DELTA-OPTI Monika Matysiak; <https://www.delta.poznan.pl>  
POL; 60-713 Poznań; Graniczna 10  
e-mail: [delta-opti@delta.poznan.pl](mailto:delta-opti@delta.poznan.pl); tel: +(48) 61 864 69 60

Rotation speed (manual control):	<ul style="list-style-type: none"> <li>• 0.1 °/s ... 240 °/s (horizontal)</li> <li>• 0.1 °/s ... 100 °/s (vertical)</li> </ul>
Horizontal rotation range:	360 ° continuous
Vertical rotation range:	-30 ° ... 90 °
RS-485 interface:	✓
Protocols:	Pelco-D, Pelco-P, DH-SD Auto detection
Number of presets:	300
Horizontal scan:	✓
Route settings:	8
Image compression method:	H.265+ / H.265 / H.264+ / H.264 / MJPEG
Bitrate:	<ul style="list-style-type: none"> <li>• 512 ... 16384 kbps - H.264</li> <li>• 512 ... 10240 - H.265</li> </ul>
Alarm inputs / outputs:	7 / 2
Audio:	<ul style="list-style-type: none"> <li>• 1 Audio input</li> <li>• 1 Audio output</li> <li>• Bi-directional audio streaming support</li> </ul>
Main stream frame rate:	1 ... 25 fps - 8 Mpx
Network interface:	10/100 Base-T (RJ-45)
Network protocols:	IPv4/IPv6, HTTP, HTTPS, IEEE 802.1x, QoS, FTP, SMTP, UPnP, SNMP, DNS, DDNS, NTP, RTSP, RTP, TCP/IP, UDP, IGMP, ICMP, DHCP, PPPoE, ARP, RTCP, RTMP
WEB Server:	Built-in, NVR compliance
Max. number of on-line users:	20
ONVIF:	✓
Mobile phones support:	Port no.: 37777 or access by a cloud (P2P) <ul style="list-style-type: none"> <li>• Android: Free application <a href="#">DMSS</a></li> <li>• iOS (iPhone): Free application <a href="#">DMSS</a></li> </ul>
Default IP address:	192.168.1.108
Default admin user / password:	admin / -
Web browser access ports:	80, 37777
PC client access ports:	37777
Mobile client access ports:	37777
Port ONVIF:	80
RTSP URL:	rtsp://admin:hasło@192.168.1.108:554/cam/realmonitor?channel=1&subtype=0 - Main stream rtsp://admin:hasło@192.168.1.108:554/cam/realmonitor?channel=1&subtype=1 - Sub stream
Memory card slot:	Micro SD memory cards up to 512GB support (possible local recording)



Main features:	<ul style="list-style-type: none"> <li>• WDR - 120 dB - Wide Dynamic Range</li> <li>• 2D-DNR, 3D-DNR - Digital Noise Reduction</li> <li>• F-DNR (Defog) - Reduction of image noise caused by precipitation</li> <li>• BLC/HLC - Back Light / High Light Compensation</li> <li>• ROI - improve the quality of selected parts of image</li> <li>• Day/Night mode (color/b&amp;w/auto)</li> <li>• ICR - Movable InfraRed filter</li> <li>• WB - White Balance (ATW/AWB/manual/indoor/outdoor)</li> <li>• Motion Detection</li> <li>• Configurable Privacy Zones - 24</li> <li>• AGC - Automatic Gain Control</li> <li>• Sharpness - sharper image outlines</li> <li>• Lens wiper remotely controlled via TCP/IP</li> <li>• IVS analysis : Intelligent Object Tracking, crossing the line (tripwire), intrusion, abandoned/missing object, scene changing, Face recognition, metadata support, classification of people and vehicles, Filtering of false alarms based on the recognition of persons and vehicles (tripwire, intrusion)</li> </ul>
Power supply:	<ul style="list-style-type: none"> <li>• Hi-PoE,</li> <li>• 36 V DC / 2.23 A (power adapter included)</li> </ul>
Power consumption:	<ul style="list-style-type: none"> <li>• 30 W</li> <li>• 48 W ( LED IR )</li> </ul>
Housing:	Speed Dome Metal
Color:	White
Vandal-proof:	—
"Index of Protection":	IP67
Operation temp:	-40 °C ... 70 °C
Weight:	10 kg (without bracket)
Dimensions:	Ø 262 x 416 mm (without bracket)
Supported languages:	English
Manufacturer / Brand:	DAHUA
Guarantee:	<b>5 years</b>

## PRESENTATION

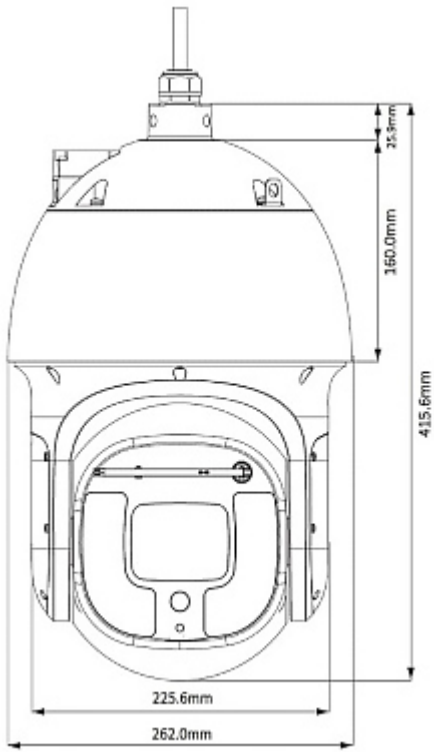
Bottom view:



Camera dimensions:



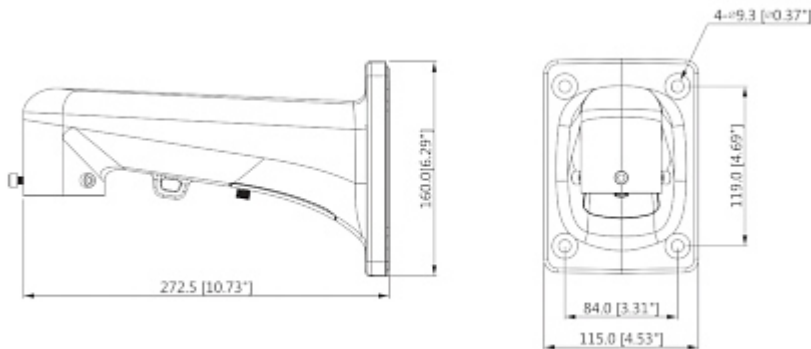
DELTA-OPTI Monika Matysiak; <https://www.delta.poznan.pl>  
 POL; 60-713 Poznań; Graniczna 10  
 e-mail: delta-opti@delta.poznan.pl; tel: +(48) 61 864 69 60



Camera bracket:



Bracket dimensions:



See how to initialize DAHUA cameras:

:

## OUR TESTS

DELTA-OPTI Monika Matysiak; <https://www.delta.poznan.pl>  
 POL; 60-713 Poznań; Graniczna 10  
 e-mail: delta-opti@delta.poznan.pl; tel: +(48) 61 864 69 60

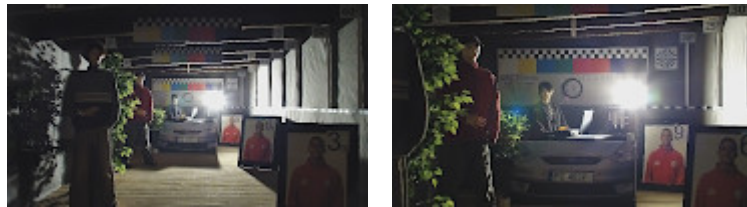
Camera image at artificial illumination (about 30Lux):



Camera image at night conditions with internal built-in IR illuminator on:



Camera image at direct strong light opposite to camera:



## OUR OPINIONS



- Thanks to the "Starlight" technology used, the camera only needs very low lighting to obtain a clear color image.

## PACKAGE

Dimensions (L x W x H): 0x0x0 mm	Gross Weight: 0 kg
----------------------------------	--------------------