

Code: DH-SD6AL245U-HNI

IP SPEED DOME CAMERA OUTDOOR **DH-SD6AL245U-HNI** - 1080p, 3.95 ... 177.7 mm DAHUA

Net: **2 114.70 EUR** Gross: **2 114.70 EUR**

IP camera equipped with very good high resolution sensor. Due to above it is perfect solution for surveillance systems requiring persons or vehicles recognition. The IR illuminator consisting of a laser with adjustable beam angle allows for precise lighting of the objects even at very large distances. The range of IR illumination according to the manufacturer data, depends on outer conditions (visibility - air transparency, environment, wall colors ie. scene reflectance). For a few models of IP cameras working at $\geq 1920 \times 1080$ resolution we recommend to use of network with 1Gb/s bandwidth.



SPECIFICATION

Standard:	TCP/IP
Sensor:	1/2.8 " STARVIS™ CMOS
Matrix size:	2.1 Mpx
Resolution:	1920 x 1080 - 1080p , 1280 x 960 - 1.3 Mpx , 1280 x 720 - 720p
Scanning system:	Progressive
Lens:	3.95 ... 177.7 mm
View angle:	<ul style="list-style-type: none">• 70 ° ... 1.8 ° (manufacturer data)• 65 ° ... 1.9 ° (our tests result)
Optical zoom:	x 45
Digital zoom:	x 16
Range of IR illumination:	550 m
S/N ratio:	> 56 dB (AGC off)
Video output:	1 Vpp / 75 Ω
Preset rotation speed:	max. 240 °/s
Rotation speed (manual control):	0.1 °/s ... 200 °/s (horizontal) 0.1 °/s ... 120 °/s (vertical)
Horizontal rotation range:	360 ° continuous

DELTA-OPTI Monika Matysiak; <https://www.delta.poznan.pl>
POL; 60-713 Poznań; Graniczna 10
e-mail: delta-opti@delta.poznan.pl; tel: +(48) 61 864 69 60

Vertical rotation range:	-20 ° ... 90 °
RS-485 interface:	✓
Protocols:	Pelco-D, Pelco-P, DH-SD Auto detection
Number of presets:	300
Horizontal scan:	✓
Route settings:	8
Image compression method:	H.265+ / H.265 / H.264+ / H.264 / MJPEG
Bitrate:	448 ... 8192 kbps - H.264 / H.265
Alarm inputs / outputs:	7 / 2
Audio:	<ul style="list-style-type: none"> • 1 Audio input • 1 Audio output • Audio detection
Main stream frame rate:	1 ... 50 fps - 1080p
Network interface:	10/100 Base-T (RJ-45)
Network protocols:	IPv4/IPv6, HTTP, HTTPS, SSL, TCP/IP, UDP, UPnP, ICMP, IGMP, SNMP, RTSP, RTP, SMTP, NTP, DHCP, DNS, PPPoE, DDNS, FTP, IP Filter, QoS, Bonjour, IEEE 802.1x
WEB Server:	Built-in, NVR compliance
Max. number of on-line users:	20
ONVIF:	16.12
Mobile phones support:	Port no.: 37777 or access by a cloud (P2P) <ul style="list-style-type: none"> • Android: Free application DMSS, Android: Free application IMOU • iOS (iPhone): Free application DMSS, iOS (iPhone): Free application IMOU
Default IP address:	192.168.1.108
Default admin user / password:	admin / -
Web browser access ports:	80, 37777
PC client access ports:	37777
Mobile client access ports:	37777
Port ONVIF:	80
RTSP URL:	rtsp://admin:hasło@192.168.1.108:554/cam/realmonitor?channel=1&subtype=0 - Main stream rtsp://admin:hasło@192.168.1.108:554/cam/realmonitor?channel=1&subtype=1 - Sub stream
Memory card slot:	Micro SD memory cards up to 256GB support (possible local recording)
Main features:	<ul style="list-style-type: none"> • EIS - Electronic Image Stabilization • WDR - 120 dB - Wide Dynamic Range • 2D-DNR, 3D-DNR - Digital Noise Reduction • F-DNR (Defog) - Reduction of image noise caused by precipitation • ROI - improve the quality of selected parts of image • Day/Night mode (color/b&w/auto) • WB - White Balance (ATW/AWB/manual/indoor/outdoor) • ICR - Movable InfraRed filter • Configurable Privacy Zones - 24 • Parking action - this function enables to locate the camera to specific position automatically if operator doesn't operate the controller for some time • BLC/HLC - Back Light / High Light Compensation • Audio detection • Sharpness - sharper image outlines • Mirror - Mirror image • Control the wiper via TCP/IP • IVS analysis : Intelligent Object Tracking, crossing the line (tripwire), intrusion, abandoned/missing object, face detection • Heat map - the selection in the image by corresponding colors the areas with different traffic • Intelligent Object Tracking



Power supply:	<ul style="list-style-type: none"> • Hi-PoE, • 24 V AC / 3 A (power adapter included)
Housing:	Speed Dome Metal
Color:	White
"Index of Protection":	IP67
Weight:	7.4 kg (with bracket)
Dimensions:	240 x 357 mm x 435 mm (with bracket)
Operation temp:	-40 °C ... 70 °C
Supported languages:	English, Polish
Manufacturer / Brand:	DAHUA
Guarantee:	3 years

PRESENTATION

Bottom view:



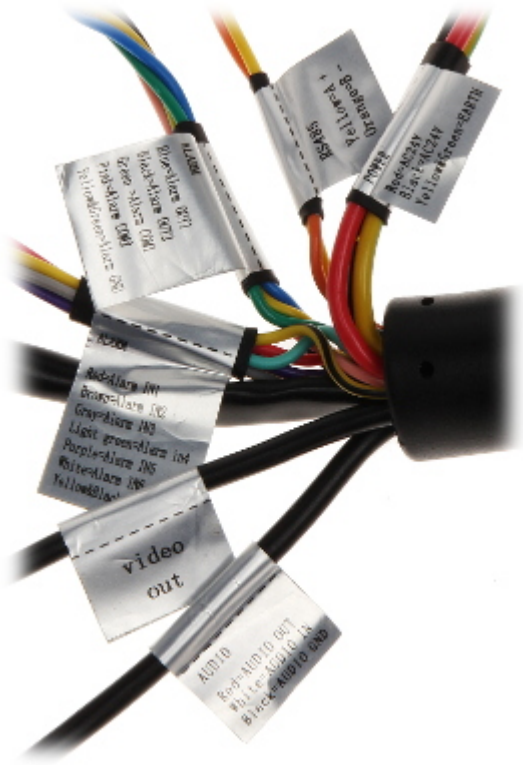
Memory card slot:



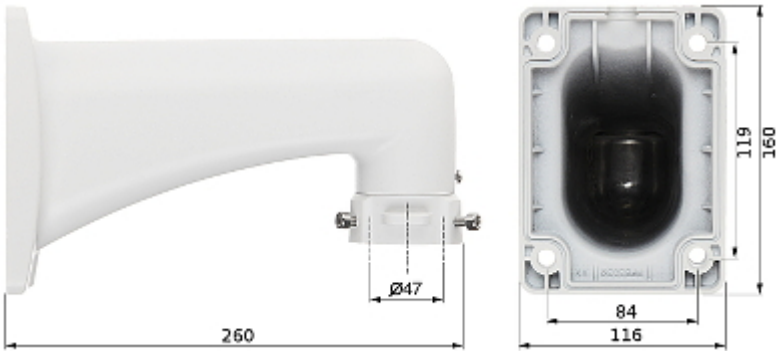
Camera connectors:



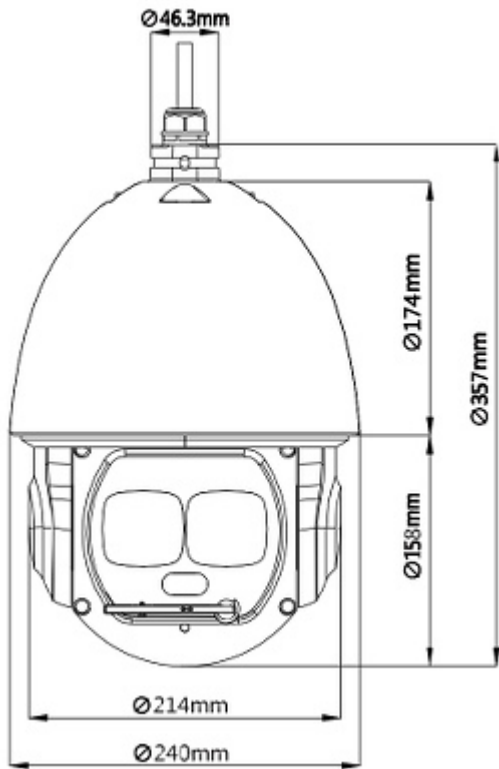
Connectors description:



Bracket dimensions:



Camera dimensions:



In the kit:

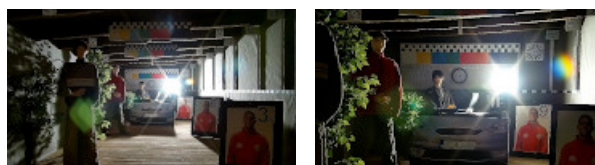


OUR TESTS

Camera image at artificial illumination (about 30Lux):



Camera image at direct strong light opposite to camera:



DELTA-OPTI Monika Matysiak; <https://www.delta.poznan.pl>
 POL; 60-713 Poznań; Graniczna 10
 e-mail: delta-opti@delta.poznan.pl; tel: +(48) 61 864 69 60

OUR OPINIONS



- Thanks to the "Starlight" technology used, the camera only needs very low lighting to obtain a clear color image.

PACKAGE

Dimensions (L x W x H): 0x0x0 mm	Gross Weight: 0 kg
----------------------------------	--------------------

