

Code: HC121@TS8CR-Z

IP CAMERA ANPR **HC121@TS8CR-Z** - 1080p 4.7 ... 47 mm - MOTOZOOM UNIVIEW

Net: **1 079.73 CHF** Gross: **1 079.73 CHF**

The IP ANPR (Automatic Number Plate Recognition) Camera is designed for auto recognition of the vehicle number plates. The relay output of the camera enables direct control of the gate or barrier operator according to one of the schemes:

- Recognized vehicles only - the gate is opened only after the vehicle is recognized and the registration number is saved,
- The gate is opened for each vehicle,
- White list - only vehicles with license plates on the list are allowed to enter,
- Black list - allowing all vehicles except those on the list.

The used motozoom lens with 4.7 ... 47 mm focal length allows to remote view angle adjustment.

PoE powering possibility, compatible with the 802.3at standard makes the device more universal and easier to install.



SPECIFICATION

Standard:	TCP/IP
Sensor:	1/2.8 " Progressive Scan CMOS
Matrix size:	2.1 Mpx
Resolution:	1920 x 1080 - 1080p , 1280 x 720 - 720p , 704 x 576 - D1
Lens:	4.7 ... 47 mm - Motozoom
White light LED illuminator range:	50 m
Compression:	H.265 / H.264
Main stream frame rate:	50 fps - 1080p
Network interface:	10/100 Base-T (RJ-45)
WEB Server:	Built-in
Memory card slot:	Micro SD memory cards up to 128GB support (possible local recording)
Alarm inputs / outputs:	2 / 1
Audio:	<ul style="list-style-type: none">• External microphone input• Audio output• Bi-directional audio streaming support
RS-485 interface:	✓
RS-232 interface:	—
Mobile phones support:	Access by a cloud (P2P) <ul style="list-style-type: none">• Android: Free application EZView• iOS (iPhone): Free application EZView

Main features:	<ul style="list-style-type: none"> • Motozoom lens • D-WDR - Wide Dynamic Range • ANR - Automatic Network Replenishment allows to save image to the card when the network connection with DVR is break (network failure) and next synchronize its • Maximum vehicle speed for image analysis function : 30 km/h • Image analysis : License plate recognition, vehicle color recognition • White list / Black list • The ability to control the opening of the gate / barrier directly from the camera • ICR - Movable InfraRed filter • Day/night mode
Power supply:	<ul style="list-style-type: none"> • PoE (802.3at), • 12 V DC
Power consumption:	< 20 W
Housing:	Compact, Metal + Plastic
Color:	White
"Index of Protection":	IP67
Vandal-proof:	IK10
Operation temp:	-40 °C ... 60 °C
Weight:	1.99 kg (with bracket)
Dimensions:	<ul style="list-style-type: none"> • Ø 126 x 347 mm (without bracket) • Ø 126 x 386 mm (with bracket)
Supported languages:	English
Manufacturer / Brand:	UNIVIEW
Guarantee:	3 years

PRESENTATION



Side view:



Memory card slot and "Reset" button:



Camera without the bracket:



Camera connectors:

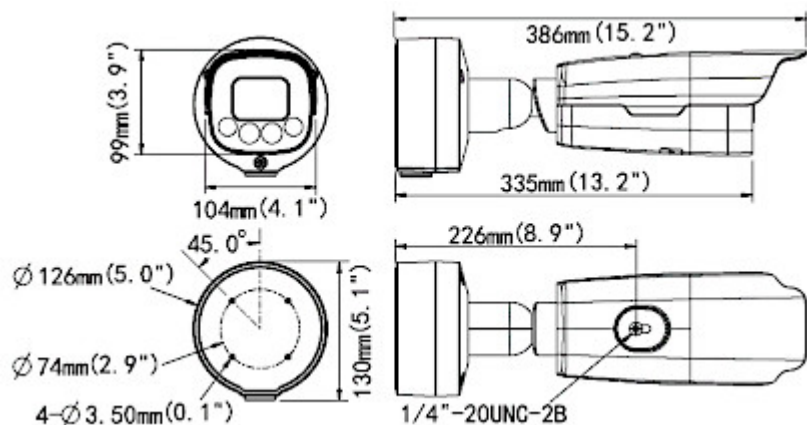




Mounting side view:



Dimensions:



In the kit:



OUR OPINIONS



- Motozoom lens.

PACKAGE

Dimensions (L x W x H): 0x0x0 mm	Gross Weight: 0 kg
----------------------------------	--------------------

