

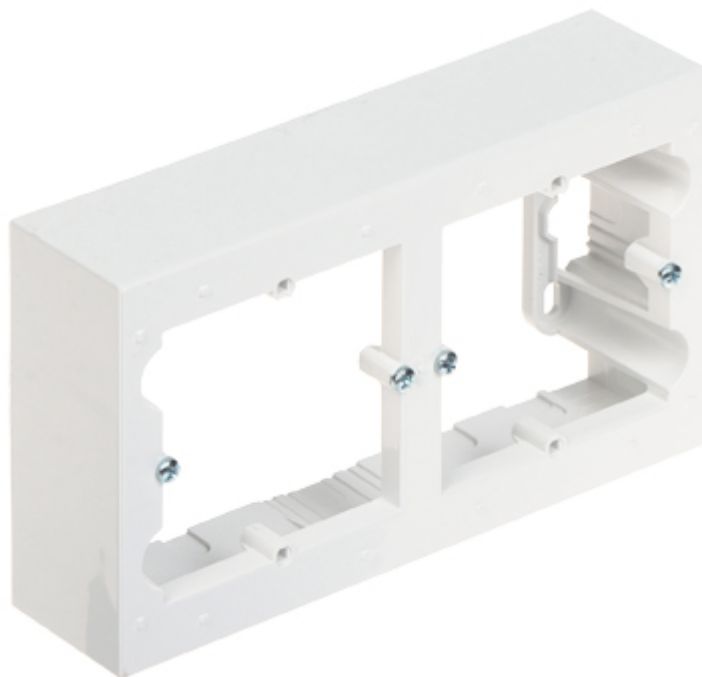
Code: DPN2/11-SIMON54

SURFACE BOX 2-GANG **DPN2/11-SIMON54** Premium

Net: **3.71 EUR** Gross: **3.71 EUR**

Surface mounting box, 2-gang, dedicated to Simon54 Premium products.

Depending on the needs, you can mount in the DPN2/11-SIMON54 the equipment elements shown below as "Components of working with".

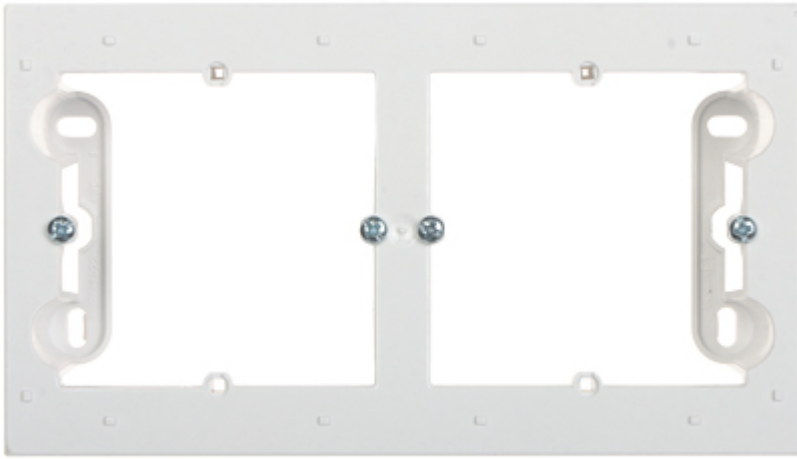


SPECIFICATION

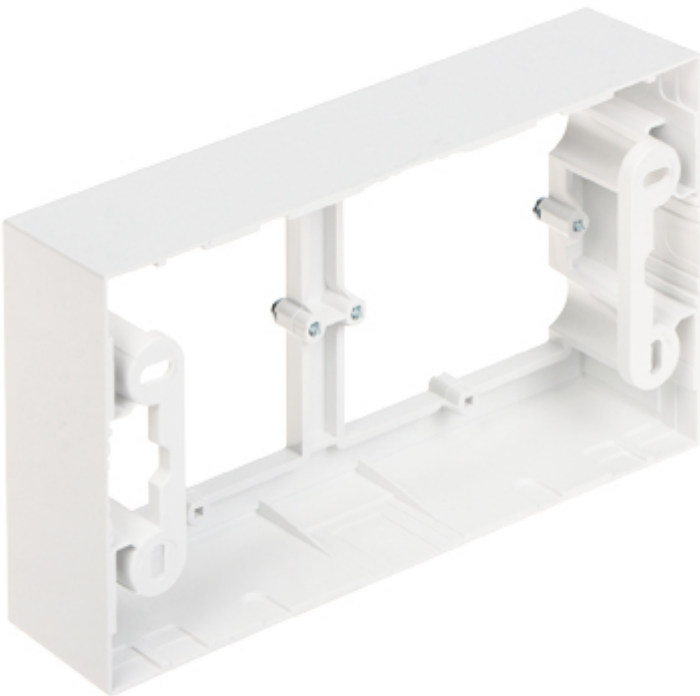
Application:	Simon 54 Premium product series
Number of sections:	2
Material:	Non-halogen plastic, PC
Color:	White (RAL 9003)
Main features:	<ul style="list-style-type: none">• Vertical or horizontal mounting possible• Mounting screws inside the casing
"Index of Protection":	IP20
Weight:	0.06 kg
Dimensions:	<ul style="list-style-type: none">• 153 x 87 x 35 mm• 35 mm - depth (internal)
Manufacturer / Brand:	KONTAKT Simon
Guarantee:	2 years

PRESENTATION

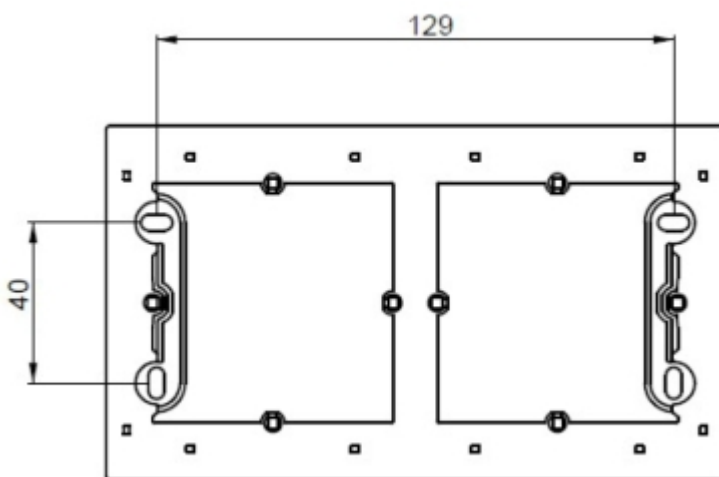
Front view:



Rear view:



Mounting dimensions:



PACKAGE

DELTA-OPTI Monika Matysiak; <https://www.delta.poznan.pl>
POL; 60-713 Poznań; Graniczna 10
e-mail: delta-opti@delta.poznan.pl; tel: +(48) 61 864 69 60

Dimensions (L x W x H): 0x0x0 mm	Gross Weight: 0 kg
----------------------------------	--------------------

