

Code: BCS-B-KITW(2.0)

# SURVEILLANCE KIT **BCS-B-KITW(2.0)** Wi-Fi, 4 CHANNELS - 1080p 2.8 mm BCS

Net: **357.38 EUR** Gross: **357.38 EUR**

The surveillance kit includes 4 cameras, Wi-Fi DVR (without hard disk) and 4 power adapters DC 12V/1A for independent camera power supply.

Network Video Recorder allowing to operate with Wi-Fi cameras supported 802.11 b/g/n standards. The menu options layout has been designed for all users, even beginners can easy navigate and change parameters in DVR settings without any problem.

IP camera with efficient H.264 / H.265 image compression algorithm for clear and smooth video streaming at maximal resolution of 1080p. Camera is according to IP67 Index of Protection norm.



## SPECIFICATION

Standard:	IP
Supported resolutions:	max. 1080p - 1920 x 1080 px
Video outputs:	1 pcs HDMI 1 pcs VGA
Audio support:	4 Channels - Audio from cameras
Audio outputs:	1 pcs CINCH
Image compression method:	H.265+ / H.265 / H.264+ / H.264
Bitrate:	max. 40 Mbps
Supported hard drives:	1 x 6 TB SATA (not included)
Recording modes:	Manual, Motion Detection, Schedule
External storage devices backup:	Backup to USB drive (pendrive, external drive)
Searching and playback the records:	Records searching: by time and events type. Records playback: forward, backward, fast, slow Advanced searching (to the one second accuracy) 1/4 channel synchronous playback
Network interface:	<ul style="list-style-type: none"><li>• 1 x RJ-45 10/100 Base-TX</li><li>• 2.4 GHz Wi-Fi - IEEE 802.11 b/g/n</li></ul>
Network functions:	<ul style="list-style-type: none"><li>• Built-in Wi-Fi module : Smart, auto-paring, Remote configuration, Remote management</li><li>• Full support via network, Remote records copying, Web-Server built-in</li></ul>
Default IP address:	192.168.1.30
Default admin user / password:	admin / 123456
Web browser access ports:	80, 554

DELTA-OPTI Monika Matysiak; <https://www.delta.poznan.pl>  
POL; 60-713 Poznań; Graniczna 10  
e-mail: [delta-opti@delta.poznan.pl](mailto:delta-opti@delta.poznan.pl); tel: +(48) 61 864 69 60

PC client access ports:	Port no.: 80 or access by a cloud (P2P)
Mobile phones support:	Port no.: 80 or access by a cloud (P2P) <ul style="list-style-type: none"> <li>• Android: Free application <a href="#">BCS Manager</a></li> <li>• iOS (iPhone): Free application <a href="#">BCS Manager</a></li> </ul>
Motion Detection:	✓
Intelligent image analysis:	—
Mouse support:	✓
Main features:	<ul style="list-style-type: none"> <li>• Smart, auto-pairing &lt; 180 s</li> <li>• Alarm notifications</li> </ul>
Power supply:	12 V DC / 1.5 A (power adapter included)
Power consumption:	≤ 10 W (without HDD)
Operation temp:	-10 °C ... 55 °C
Weight:	0.532 kg
Dimensions:	225 x 205 x 160 mm
Supported languages:	Polish, English

#### CAMERA:

Standard:	IP
Sensor:	1/2.9 " Progressive Scan CMOS
Matrix size:	2 Mpx
Resolution:	1920 x 1080 - 1080p
Lens:	2.8 mm
View angle:	101 °
Range of IR illumination:	30 m
Audio:	<ul style="list-style-type: none"> <li>• Microphone built-in,</li> <li>• Audio transmission via network</li> </ul>
Image compression method:	H.265+ / H.265 / H.264+ / H.264
Main stream frame rate:	25 fps @ 1080p
Network interface:	<ul style="list-style-type: none"> <li>• Ethernet : 100 Mbps</li> <li>• Wi-Fi IEEE 802.11 b/g/n - 2.4 GHz</li> </ul>
WEB Server:	—
Default admin user / password:	admin / 123456
Default IP address:	192.168.1.13
Memory card slot:	Micro SD card support up to 256GB
Power supply:	12 V DC / 1 A (power adapter included)
Power consumption:	≤ 12 W
"Index of Protection":	IP67
Housing:	Compact - Plastic
Weight:	0.25 kg
Dimensions:	172 x 76 x 72 mm

#### General information:

Connecting cable:	—
Manufacturer / Brand:	BCS
Guarantee:	2 years



DELTA-OPTI Monika Matysiak; <https://www.delta.poznan.pl>  
POL; 60-713 Poznań; Graniczna 10  
e-mail: [delta-opti@delta.poznan.pl](mailto:delta-opti@delta.poznan.pl); tel: +(48) 61 864 69 60

## PRESENTATION

DVR:



Top view:



Rear view:





CAMERA:



Front view:



Side view:



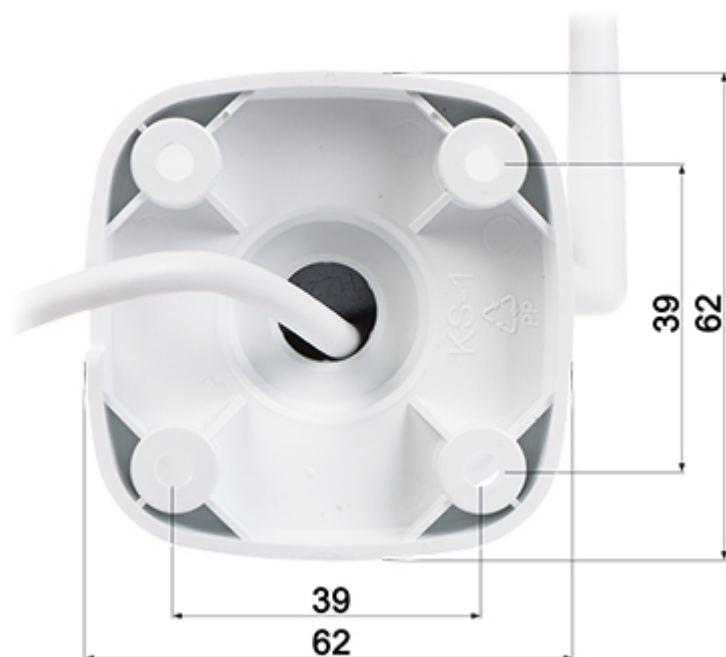
Bottom view:



Memory card slot and "Reset" button:



Mounting side view:



In the kit:



## PACKAGE

Dimensions (L x W x H): 0x0x0 mm	Gross Weight: 0 kg
----------------------------------	--------------------

