

Code: SMART-CITY

DIRECTIONAL ANTENNA **SMART-CITY**

Net: 501.73 CZK Gross: 501.73 CZK



SPECIFICATION

Receiving channels:	21 ... 48
Gain :	<ul style="list-style-type: none">• 5 ... 10 dBi - passive mode - no power,• 22.5 ... 27 dB - active mode - DC 12V power supply (power adapter not included)
Polarization:	Horizontal / Vertical
Impedance:	75 Ω
Main features:	<ul style="list-style-type: none">• Number of elements : 17,• Built-in LTE filter,• Built-in antenna amplifier with a bypass - operation in passive or active mode,• The main bar of the antenna is divided - possible mounting in a compact version,• The design of the antenna enables simple, quick assembly without the use of tools
Dimensions:	1040 x 355 x 405 mm
Guarantee:	2 years

PRESENTATION

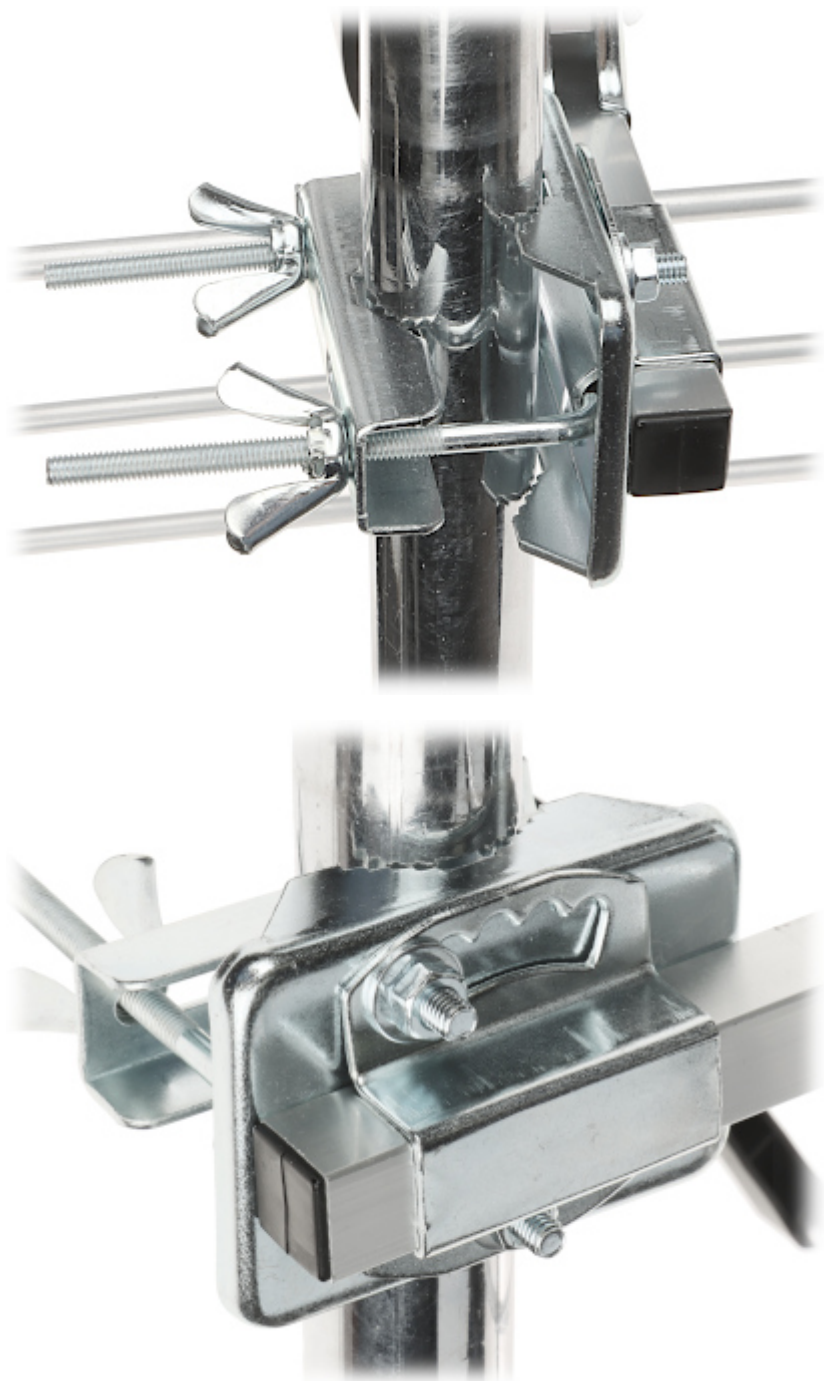
The antenna is installed in the compact version:



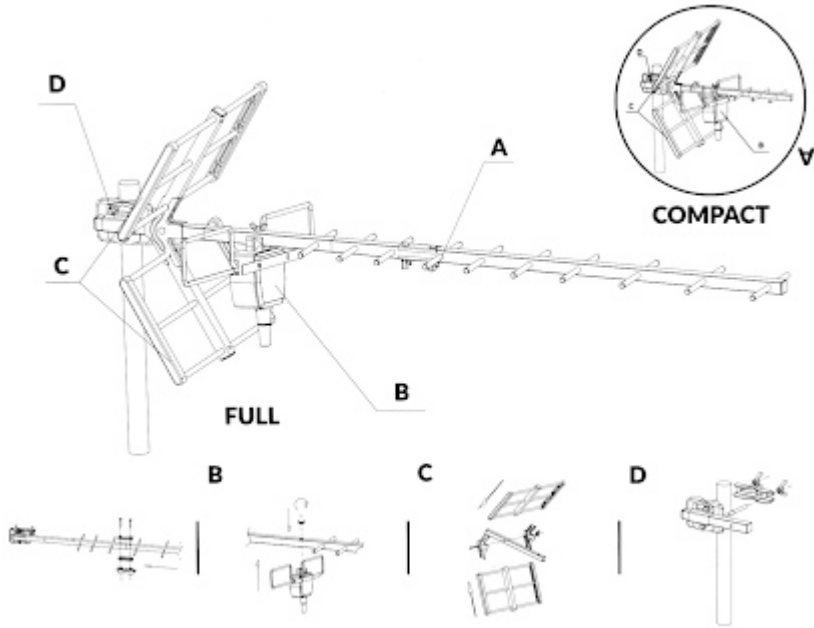
Antenna connector (bottom view):



Mast mounting diameter:



The correct order of assembly:



In the kit:



PACKAGE

Dimensions (L x W x H): 0x0x0 mm	Gross Weight: 0 kg
----------------------------------	--------------------