

Code: DS-2CE16F1T-IT(2.8mm)(B)

## HD-TVI CAMERA **DS-2CE16F1T-IT(2.8mm)(B)** - 3.0 Mpx Hikvision

Net: **57.06 EUR** Gross: **57.06 EUR**

Megapixel camera with Progressive Scan CMOS sensor and HD-TVI (High Definition Transport Video Interface).

The HD-TVI interface allows to transmission of analog video signal via coaxial cable at resolutions up to 3 Mpx. It enables the transmission of HD resolution images for even 500 m distance with keeping the low costs of the installation. During transmission there are no delays and is maintained the original, high quality image.

The 3-Axis integrated camera bracket has a regulation in all three planes, which allows to turn the camera to any direction. Camera is according to IP66 Index of Protection norm.



### SPECIFICATION

Standard:	HD-TVI
Sensor:	Progressive Scan CMOS
Matrix size:	3.0 Mpx
Resolution:	1920 x 1536 - 3.0 Mpx , 1920 x 1080 - 1080p
Range of IR illumination:	20 m
IR illuminator power adjustment:	Automatic
Lens:	2.8 mm
View angle:	<ul style="list-style-type: none"><li>• 84 ° (manufacturer data)</li><li>• 80 ° (our tests result)</li></ul>
S/N ratio:	> 62 dB
Video output:	1 Vpp / 75 Ω - HD-TVI, BNC socket
Main features:	<ul style="list-style-type: none"><li>• DNR - Digital Noise Reduction</li><li>• EXIR - high-efficiency infrared LEDs technology, which evenly covers the whole plan of both central vantage points of the scene as well as the corners</li><li>• ICR - Movable InfraRed filter</li><li>• Mirror - Mirror image</li><li>• BLC - Back Light Compensation</li><li>• AGC - Automatic Gain Control</li><li>• Auto White Balance</li><li>• Mirror - Mirror image</li></ul>
OSD menu:	OSD menu available via Hikvision HD-TVI recorder
Power supply:	12 V DC / 410 mA
Power consumption:	≤ 5 W
Housing:	Compact, Metal

DELTA-OPTI Monika Matysiak; <https://www.delta.poznan.pl>  
POL; 60-713 Poznań; Graniczna 10  
e-mail: [delta-opti@delta.poznan.pl](mailto:delta-opti@delta.poznan.pl); tel: +(48) 61 864 69 60

Color:	White / Black
"Index of Protection":	IP66
Operation temp:	-40 °C ... 60 °C
Weight:	0.35 kg
Dimensions:	154 x Ø 70 mm
Supported languages:	English
SAP Code:	300507146
Manufacturer / Brand:	Hikvision
Guarantee:	<b>3 years</b>

## PRESENTATION



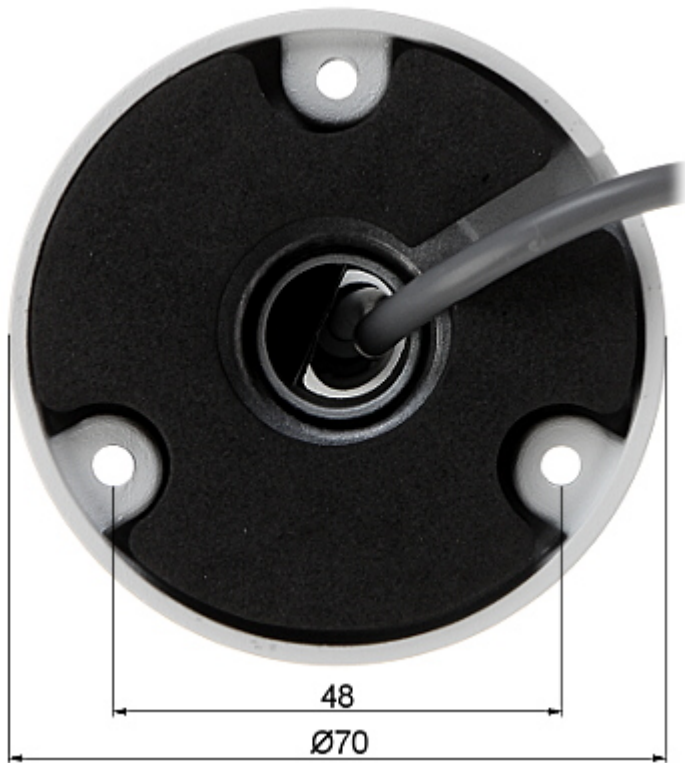
Side view:



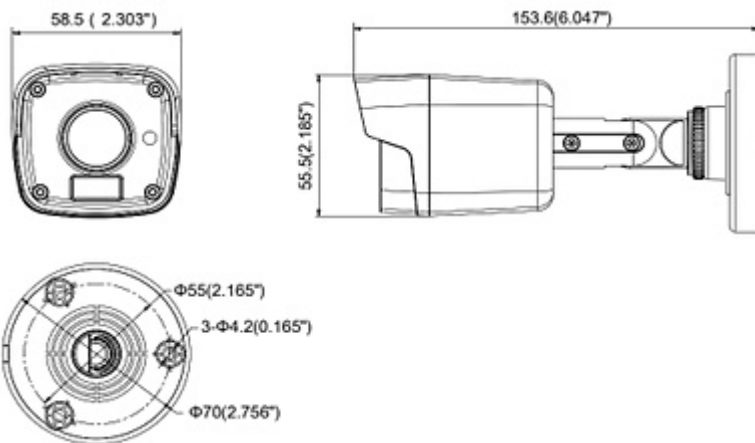
Camera dimensions:



DELTA-OPTI Monika Matysiak; <https://www.delta.poznan.pl>  
 POL; 60-713 Poznań; Graniczna 10  
 e-mail: delta-opti@delta.poznan.pl; tel: +(48) 61 864 69 60



Mounting side view:



In the kit:



## OUR TESTS

Camera image at artificial illumination (about 30Lux):



Camera image at night conditions with internal built-in IR illuminator on:



Camera image at direct strong light opposite to camera:



## PACKAGE

Dimensions (L x W x H): 0x0x0 mm	Gross Weight: 0 kg
----------------------------------	--------------------