

Code: SD50225I-HC-S3

# AHD, HD-CVI, HD-TVI SPEED DOME CAMERA OUTDOOR SD50225I-HC-S3 - 1080p 4.8 ... 120 mm DAHUA

Net: 5 856.99 SEK Gross: 5 856.99 SEK

Megapixel camera with 1/2.8" CMOS sensor and AHD / HD-CVI / HD-TVI / PAL.  
The AHD / HD-CVI / HD-TVI interface allows to transmission of analog video signal via coaxial cable in max. 8 Mpx (4K UHD) resolution. During transmission there are no delays and is maintained the original, high quality image. Camera is according to IP67 Index of Protection norm.  
Thanks to the "Starlight" technology used, the camera only needs very low lighting to obtain a clear color image.



## SPECIFICATION

Standard:	AHD, HD-CVI, HD-TVI, CVBS
Sensor:	1/2.8 " STARVIS™ CMOS
Matrix size:	2.1 Mpx
Resolution:	1920 x 1080 - 1080p 1280 x 720 - 720p
IR illuminator:	—
Lens:	4.8 ... 120 mm
View angle:	• 63 ° ... 2.6 ° (manufacturer data) • 56 ° ... 3.4 ° (our tests result)
Optical zoom:	x 25
Digital zoom:	x 16
Rotation speed depending on ZOOM level:	✓
Horizontal rotation range:	360 ° continuous
Vertical rotation range:	0 ° ... 90 °
Rotation speed (manual control):	0.1 °/s ... 350 °/s (horizontal) , 0.1 °/s ... 250 °/s (vertical)
Preset rotation speed:	max. 500 °/s
PTZ control:	Via interface RS-485 The ability to control via coaxial cable from recorder DAHUA, BCS, RAPID

DELTA-OPTI Monika Matysiak; <https://www.delta.poznan.pl>  
POL; 60-713 Poznań; Graniczna 10  
e-mail: delta-opti@delta.poznan.pl; tel: +(48) 61 864 69 60

Protocols:	Pelco-D, Pelco-P, DH-SD (auto detection)
S/N ratio:	> 55 dB
Video output:	AHD / HD-CVI / HD-TVI / CVBS, 1 Vpp 75 Ω
Audio:	External microphone input
Number of presets:	300
Route settings:	8
Horizontal scan:	✓
Park action:	Call the set function (tour, scan, etc.) after specified dwell time
Alarm inputs / outputs:	2 / 1
Main features:	<ul style="list-style-type: none"> <li>• WDR - 120 dB - Wide Dynamic Range</li> <li>• 2D-DNR, 3D-DNR - Digital Noise Reduction</li> <li>• BLC - Back Light Compensation</li> <li>• HLC - High Light Compensation (spot)</li> <li>• ICR - Movable InfraRed filter</li> <li>• Auto White Balance</li> <li>• 24 Configurable Privacy Zones</li> <li>• The camera is equipped with a built-in heater with a thermostat ,</li> </ul>
OSD menu:	OSD menu available via DAHUA recorder
Power supply:	24 V AC / 1.5 A (power adapter included)
Power consumption:	≤ 23 W
Housing:	Speed Dome, Metal
Color:	White
"Index of Protection":	IP67
Vandal-proof:	IK10
Operation temp:	-40 °C ... 60 °C
Weight:	3.18 kg (with bracket)
Dimensions:	186 x 296 x 420 mm (with bracket)
Supported languages:	English, Polish
Manufacturer / Brand:	DAHUA
Guarantee:	<b>3 years</b>

## PRESENTATION

Bottom view:



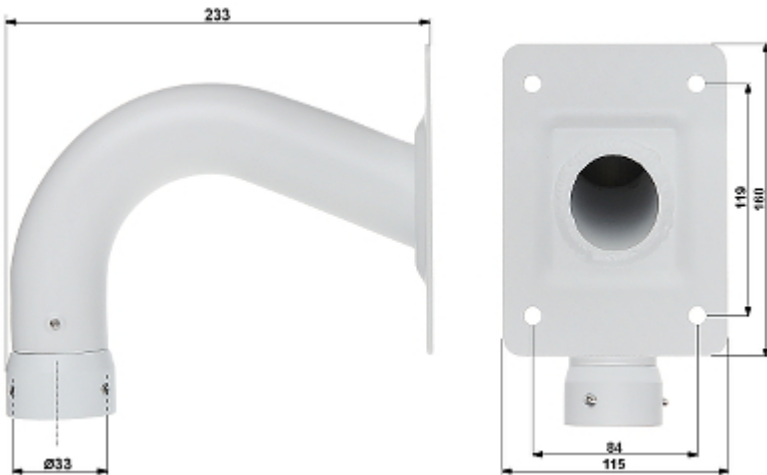
DELTA-OPTI Monika Matysiak; <https://www.delta.poznan.pl>  
 POL; 60-713 Poznań; Graniczna 10  
 e-mail: delta-opti@delta.poznan.pl; tel: +(48) 61 864 69 60



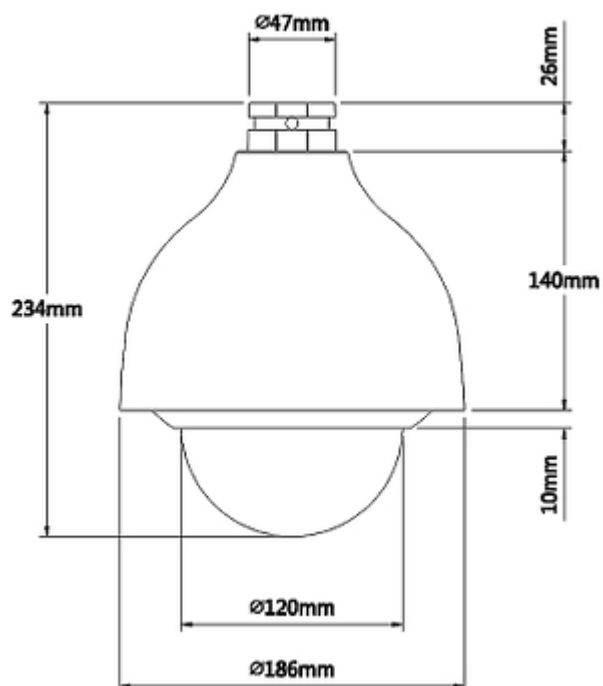
Bottom view (configuration switches visible):



Bracket dimensions:



Camera dimensions:



Camera connectors:



Connectors description:



In the kit:

DELTA-OPTI Monika Matysiak; <https://www.delta.poznan.pl>  
 POL; 60-713 Poznań; Graniczna 10  
 e-mail: delta-opti@delta.poznan.pl; tel: +(48) 61 864 69 60



**OUR TESTS**

AHD:

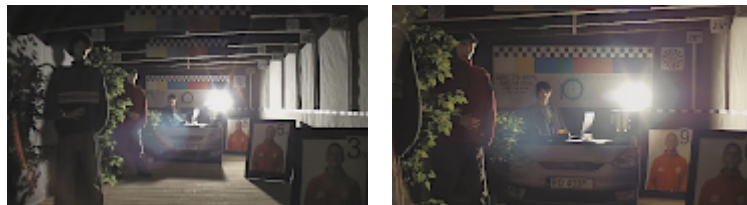
Camera image at artificial illumination (about 30Lux):



Camera image at night conditions with external IR illuminator on:



Camera image at direct strong light opposite to camera:



Camera image at night conditions, at different illumination values show below:



HD-CVI:

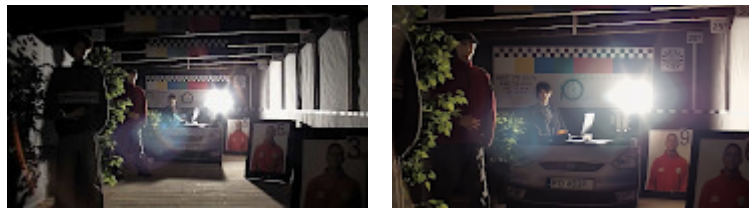
Camera image at artificial illumination (about 30Lux):



Camera image at night conditions with external IR illuminator on:



Camera image at direct strong light opposite to camera:



Camera image at night conditions, at different illumination values show below:



HD-TVI:

Camera image at artificial illumination (about 30Lux):



Camera image at night conditions with external IR illuminator on:



Camera image at direct strong light opposite to camera:



Camera image at night conditions, at different illumination values show below:



## OUR OPINIONS



- Thanks to the "Starlight" technology used, the camera only needs very low lighting to obtain a clear color image.

## PACKAGE

Dimensions (L x W x H): 0x0x0 mm	Gross Weight: 0 kg
----------------------------------	--------------------



DELTA-OPTI Monika Matysiak; <https://www.delta.poznan.pl>  
POL; 60-713 Poznań; Graniczna 10  
e-mail: delta-opti@delta.poznan.pl; tel: +(48) 61 864 69 60