

Code: IPC2324SB-DZK-I0

# IP VANDALPROOF CAMERA **IPC2324SB-DZK-I0** - 4 Mpx 2.7 ... 13.5 mm - MOTOZOOM UNIVIEW

Net: **401.68 EUR** Gross: **401.68 EUR**

IP camera with efficient Ultra 265 image compression algorithm for clear and smooth video streaming at maximal resolution of 4 Mpx.

PoE powering possibility, compatible with the 802.3af standard makes the device more universal and easier to install. The range of IR illumination according to the manufacturer data, depends on outer conditions (visibility - air transparency, environment, wall colors ie. scene reflectance).



## SPECIFICATION

|                           |   |
|---------------------------|---|
| Standard:                 | TCP/IP  |
| Sensor:                   | 1/3 " Progressive Scan CMOS   |
| Matrix size:              | 4 Mpx   |
| Resolution:               | 2688 x 1520 - 4 Mpx ,<br>2560 x 1440 - 3.7 Mpx ,<br>2304 x 1296 - 3 Mpx ,<br>1920 x 1080 - 1080p ,<br>1280 x 720 - 720p                             |
| Lens:                     | 2.7 ... 13.5 mm - Motozoom, AutoFocus   |
| View angle:               | • 98 ° ... 31 ° (manufacturer data)<br>• 101 ° ... 28 ° (our tests result)  |
| Range of IR illumination: | 50 m  |
| S/N ratio:                | > 52 dB   |
| RS-485 interface:         | —   |
| Memory card slot:         | Micro SD memory cards up to 256GB support (possible local recording)  |
| Image compression method: | Ultra 265 / H.265 / H.264 / MJPEG   |
| Alarm inputs / outputs:   | 1 / 1   |
| Audio:                    | • External microphone input,<br>• Audio output<br>• Bi-directional audio streaming support<br>• Audio transmission via network<br>• Audio detection |
| Main stream frame rate:   | 25 fps @ 4 Mpx  |
| Network interface:        | 10/100 Base-T (RJ-45)   |

DELTA-OPTI Monika Matysiak; <https://www.delta.poznan.pl>  
POL; 60-713 Poznań; Graniczna 10  
e-mail: [delta-opti@delta.poznan.pl](mailto:delta-opti@delta.poznan.pl); tel: +(48) 61 864 69 60

|                                |   |
|--------------------------------|---|
| Network protocols:             | IPv4/IPv6, IGMP, ICMP, ARP, TCP, UDP, DHCP, PPPoE, RTP, RTSP, RTCP, RTMP, DNS, DDNS, NTP, FTP, UPnP, HTTP, HTTPS, SMTP, SNMP, QoS, SSL / TLS, SSH   |
| WEB Server:                    | Built-in  |
| Max. number of on-line users:  | 32  |
| ONVIF:                         | ✓   |
| Mobile phones support:         | Access by a cloud (P2P)<br><ul style="list-style-type: none"> <li>• Android: Free application <a href="#">EZView</a></li> <li>• iOS (iPhone): Free application <a href="#">EZView</a></li> </ul>  |
| Default IP address:            | DHCP or 192.168.1.13  |
| Default admin user / password: | admin / 123456  |
| Web browser access ports:      | 80, 554   |
| PC client access ports:        | Port no.: 80 or access by a cloud (P2P) - PC: Free application <a href="#">EZStation</a>  |
| Mobile client access ports:    | 80  |
| Port ONVIF:                    | 80  |
| RTSP URL:                      | rtsp://192.168.1.13:554/unicast/c1/s0/live - Main stream<br>rtsp://192.168.1.13:554/unicast/c1/s1/live - Sub stream   |
| Main features:                 | <ul style="list-style-type: none"> <li>• WDR - 120 dB - Wide Dynamic Range</li> <li>• 2D-DNR, 3D-DNR - Digital Noise Reduction</li> <li>• F-DNR (Defog) - Reduction of image noise caused by precipitation</li> <li>• ROI - improve the quality of selected parts of image</li> <li>• ANR - Automatic Network Replenishment allows to save image to the card when the network connection with DVR is break (network failure) and next synchronize its</li> <li>• NAS - Network Attached Storage support</li> <li>• BLC/HLC - Back Light / High Light Compensation</li> <li>• Possibility to change the resolution, quality and bit rate</li> <li>• Mirror - Mirror image</li> <li>• Privacy zones - max. 4</li> <li>• Motion detection with human/vehicle silhouette recognition</li> <li>• Sharpness - sharper image outlines</li> <li>• Intelligent image analysis : intrusion, crossing the line (tripwire), detection of entry into the area / exit from the area, people counting, crowd gathering estimation, face detection</li> </ul> |
| Power supply:                  | <ul style="list-style-type: none"> <li>• PoE (802.3af),</li> <li>• 12 V DC / 700 mA</li> </ul>  |
| Power consumption:             | ≤ 8.5 W   |
| Housing:                       | Compact, Metal  |
| Color:                         | White   |
| "Index of Protection":         | IP67  |
| Vandal-proof:                  | IK10  |
| Operation temp:                | -30 °C ... 60 °C  |
| Weight:                        | 0.93 kg   |
| Dimensions:                    | 245 x 85 x 86 mm  |
| Supported languages:           | Polish, English, Czech, Spanish, Dutch, French, German, Portuguese, Slovak, Hungarian, Italian  |
| Manufacturer / Brand:          | UNIVIEW   |
| Guarantee:                     | <b>3 years</b>  |

## PRESENTATION



DELTA-OPTI Monika Matysiak; <https://www.delta.poznan.pl>  
POL; 60-713 Poznań; Graniczna 10  
e-mail: [delta-opti@delta.poznan.pl](mailto:delta-opti@delta.poznan.pl); tel: +(48) 61 864 69 60



Side view:



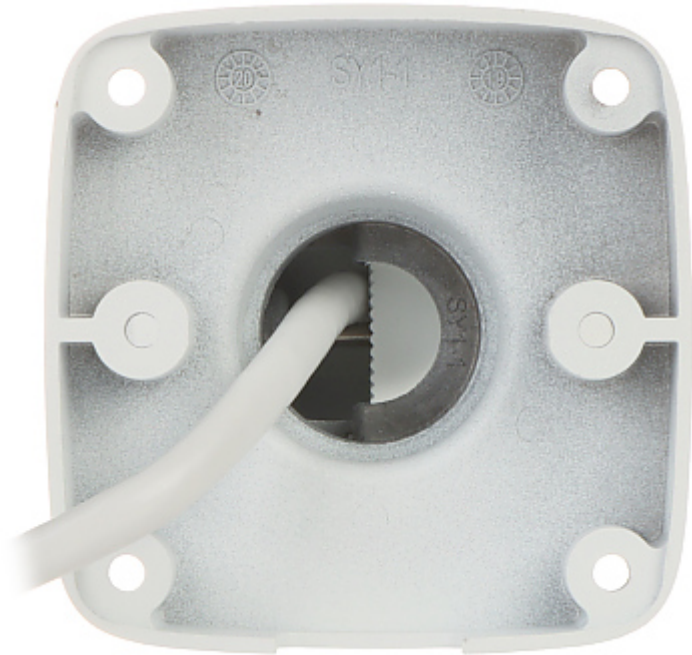
Bottom view:



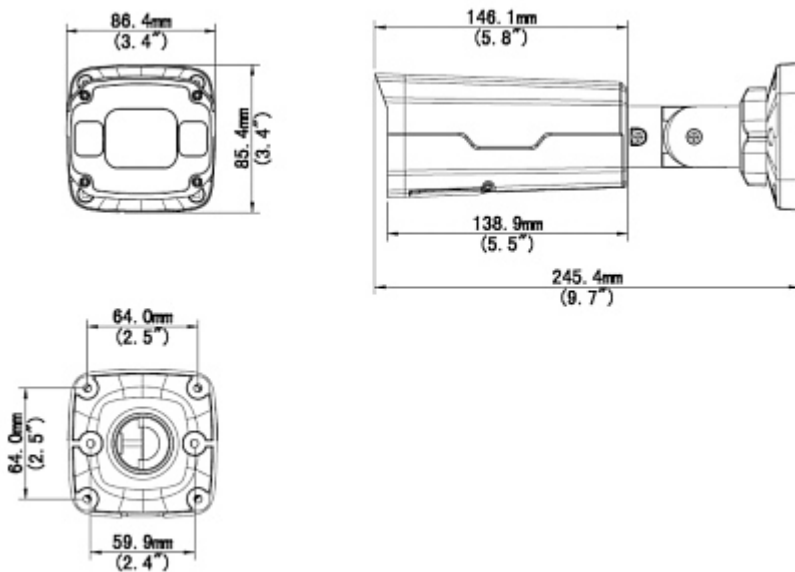
Memory card slot:



Camera mounting side view:



Dimensions:



Connectors:





In the kit:



## OUR TESTS

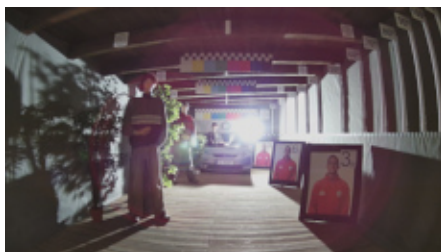
Camera image at artificial illumination (about 30Lux):



Camera image at night conditions with internal built-in IR illuminator on:



Camera image at direct strong light opposite to camera:



DELTA-OPTI Monika Matysiak; <https://www.delta.poznan.pl>  
POL; 60-713 Poznań; Graniczna 10  
e-mail: [delta-opti@delta.poznan.pl](mailto:delta-opti@delta.poznan.pl); tel: +(48) 61 864 69 60

## PACKAGE

|                                  |                    |
|----------------------------------|--------------------|
| Dimensions (L x W x H): 0x0x0 mm | Gross Weight: 0 kg |
|----------------------------------|--------------------|

