

Code: IPC-HFW2541T-ZAS-27135

IP CAMERA **IPC-HFW2541T-ZAS-27135** WizSense - 5 Mpx 2.7 ... 13.5 mm - MOTOZOOM DAHUA

Net: **398.86 EUR** Gross: **398.86 EUR**

IP camera with efficient H.265 / H.264 image compression algorithm for clear and smooth video streaming at maximal resolution of 5 Mpx. Due to above it is perfect solution for surveillance systems requiring persons or vehicles recognition.

The used motozoom lens with 2.7 ... 13.5 mm focal length allows to remote view angle adjustment. Thanks to the "Starlight" technology used, the camera only needs very low lighting to obtain a clear color image. PoE powering possibility, compatible with the 802.3af standard makes the device more universal and easier to install.

Camera is according to IP67 Index of Protection norm.



SPECIFICATION

Standard:	TCP/IP
Sensor:	1/2.7 " Progressive Scan CMOS
Matrix size:	5 Mpx
Resolution:	2592 x 1944 - 5 Mpx , 2688 x 1520 - 4 Mpx , 2304 x 1296 - 3 Mpx , 1920 x 1080 - 1080p , 1280 x 960 - 1.3 Mpx , 1280 x 720 - 720p
Lens:	2.7 ... 13.5 mm - Motozoom
View angle:	• 100 ° ... 30 ° (manufacturer data) • 95 ° ... 26 ° (our tests result)
Compression:	H.265+ / H.265 / H.264+ / H.264 / MJPEG
Range of IR illumination:	60 m
Alarm inputs / outputs:	1 / 1
Main stream frame rate:	20 fps - 5 Mpx 25 fps - 4 Mpx
Network interface:	10/100 Base-T (RJ-45)
Network protocols:	IPv4/IPv6, HTTP, TCP, UDP, ARP, RTP, RTSP, RTCP, RTMP, SMTP, FTP, SFTP, DHCP, DNS, DDNS, QoS, UPnP, NTP, Multicast, ICMP, IGMP, NFS, SAMBA, PPPoE, SNMP

DELTA-OPTI Monika Matysiak; <https://www.delta.poznan.pl>
POL; 60-713 Poznań; Graniczna 10
e-mail: delta-opti@delta.poznan.pl; tel: +(48) 61 864 69 60

Audio:	<ul style="list-style-type: none"> • External microphone input • Audio output • Bi-directional audio streaming support, • Audio detection
WEB Server:	Built-in
Memory card slot:	Micro SD memory cards up to 256GB support (possible local recording)
Max. number of on-line users:	20
ONVIF:	21.12
Mobile phones support:	Port no.: 37777 or access by a cloud (P2P) <ul style="list-style-type: none"> • Android: Free application DMSS • iOS (iPhone): Free application DMSS
Default admin user / password:	admin / - The administrator password should be set at the first start
Default IP address:	192.168.1.108
Web browser access ports:	80, 37777
PC client access ports:	37777
Mobile client access ports:	37777
Port ONVIF:	80
RTSP URL:	rtsp://admin:haslo@192.168.1.108:554/cam/realmonitor?channel=1&subtype=0 - Main stream rtsp://admin:haslo@192.168.1.108:554/cam/realmonitor?channel=1&subtype=1 - Sub stream
RS-485 interface:	—
Main features:	<ul style="list-style-type: none"> • WDR - 120 dB - Wide Dynamic Range • 3D-DNR - Digital Noise Reduction • ROI - improve the quality of selected parts of image • BLC - Back Light Compensation • HLC - High Light Compensation (spot) • Day/Night mode (color/b&w/auto) • ICR - Movable InfraRed filter • Auto White Balance • AGC - Automatic Gain Control • Motion Detection - max. 4 zones • Privacy zones - max. 4 • video tampering • SSA - Smart Scene Adaptive - intelligent scene adaptation by automatically adjusting the exposure parameters to obtain a better image • Mirror - Mirror image • SMD PLUS - searching for an object classified as: human, motor vehicle, non-motor vehicle • Smart motion detection (with recognizing people and vehicles) • IVS analysis : crossing the line (tripwire), intrusion - classification of people and vehicles, video tampering, scene changing
Power supply:	<ul style="list-style-type: none"> • PoE (802.3af), • 12 V DC / 650 mA
Power consumption:	<ul style="list-style-type: none"> • ≤ 9.7 W @ PoE • ≤ 7.8 W @ 12 V DC
Housing:	Compact, Metal
Color:	White
"Index of Protection":	IP67
Operation temp:	-30 °C ... 60 °C
Weight:	0.89 kg
Dimensions:	244 x 91 x 91 mm
Supported languages:	Polish, English, Czech, French, Spanish, Dutch, German, Portuguese, Russian, Romanian, Turkish, Ukrainian, Hungarian, Italian



Manufacturer / Brand:	DAHUA
Guarantee:	3 years

PRESENTATION

Front view:



Side view:



Bottom view:



Mounting side view:



DELTA-OPTI Monika Matysiak; <https://www.delta.poznan.pl>
POL; 60-713 Poznań; Graniczna 10
e-mail: delta-opti@delta.poznan.pl; tel: +(48) 61 864 69 60



Camera connectors:

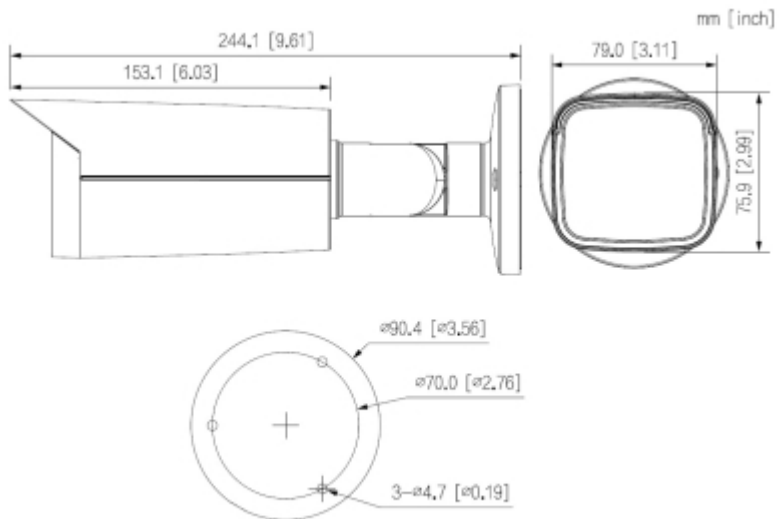


Connectors description:



Camera dimensions:





See how to initialize DAHUA cameras:

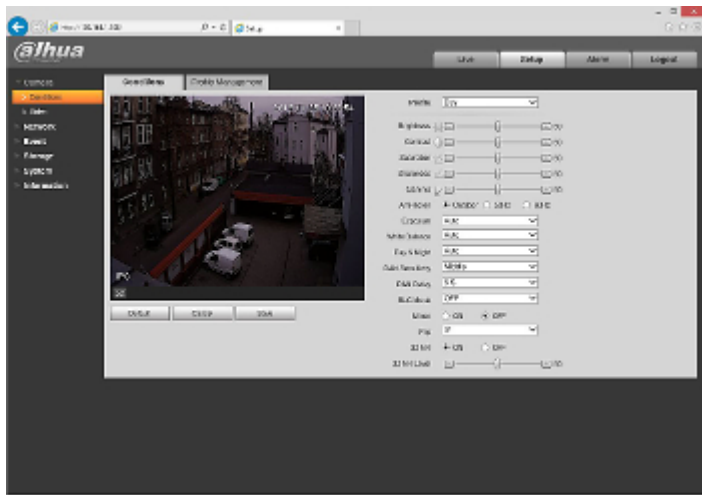
:

In the kit:



Example captures of device interface:





OUR TESTS

Camera image at artificial illumination (about 30Lux):



Camera image at night conditions with internal built-in IR illuminator on:



Camera image at direct strong light opposite to camera:



OUR OPINIONS



- Thanks to the "Starlight" technology used, the camera only needs very low lighting to obtain a clear color image.

PACKAGE

Dimensions (L x W x H): 0x0x0 mm	Gross Weight: 0 kg
----------------------------------	--------------------

