

Code: IPC-HFW71242H-Z-2712-DC12AC24V

IP VANDALPROOF CAMERA **IPC-HFW71242H-Z-2712-DC12AC24V**

WizMind - 12 Mpx 2.7 ... 12 mm MOTOZOOM DAHUA

Net: **2 864.91 AUD** Gross: **2 864.91 AUD**

IP camera with efficient H.264 / H.265 image compression algorithm for clear and smooth video streaming at maximal resolution of 12 MPx. Due to above it is perfect solution for surveillance systems requiring persons or vehicles recognition.

The used motozoom lens with 2.7 ... 12 mm focal length allows to remote view angle adjustment.

Thanks to the "Starlight+" technology used, the camera only needs very low lighting to obtain a clear color image. The range of IR illumination according to the manufacturer data, depends on outer conditions (visibility - air transparency, environment, wall colors ie. scene reflectance).

PoE powering possibility, compatible with the 802.3at standard makes the device more universal and easier to install. The device is equipped with ePoE technology which enables transmission up to 800 m at a speed of 10 Mb/s or 300 m at a speed of 100 Mb/s via cat. 5e twisted-pair.

The camera has extensive functions of intelligent image analysis.



SPECIFICATION

Standard:	TCP/IP
Sensor:	1/1.7 " Progressive Scan CMOS
Matrix size:	12 Mpx
Resolution:	4000 x 3000 - 12 Mpx , 3840 x 2160 - 8.3 Mpx 4K UHD , 3072 x 2048 - 6.3 Mpx , 2592 x 1944 - 5 Mpx , 2688 x 1520 - 4 Mpx , 2048 x 1536 - 3 Mpx , 2304 x 1296 - 3 Mpx , 1920 x 1080 - 1080p 1280 x 960 - 1.3 Mpx 1280 x 720 - 720p
Lens:	2.7 ... 12 mm, F1.8, Motozoom
View angle:	<ul style="list-style-type: none">• 103 ° ... 44 ° (manufacturer data)• 96 ° ... 46 ° (our tests result)
Compression:	H.265+ / H.265 / H.264+ / H.264 / MJPEG
Range of IR illumination:	60 m
Alarm inputs / outputs:	3 / 2
Main stream frame rate:	25 fps @ 12 Mpx
Audio:	<ul style="list-style-type: none">• External microphone input• Audio output• Bi-directional audio streaming support,• Audio detection
RS-485 interface:	✓

DELTA-OPTI Monika Matysiak; <https://www.delta.poznan.pl>
POL; 60-713 Poznań; Graniczna 10
e-mail: delta-opti@delta.poznan.pl; tel: +(48) 61 864 69 60

Memory card slot:	Micro SD memory cards up to 256GB support (possible local recording)
Network interface:	10/100/1000 Base-T (RJ-45)
Network protocols:	IPv4/IPv6, HTTP, HTTPS, TCP, UDP, ARP, RTP, RTSP, RTCP, RTMP, SMTP, FTP, SFTP, DHCP, DNS, DDNS, QoS, UPnP, NTP, Multicast, ICMP, IGMP, NFS, SAMBA, PPPoE, IEEE 802.1x, SNMP, Bonjour
WEB Server:	Built-in
Max. number of on-line users:	20
ONVIF:	20.06
Mobile phones support:	Port no.: 37777 or access by a cloud (P2P) <ul style="list-style-type: none"> • Android: Free application DMSS • iOS (iPhone): Free application DMSS
Default IP address:	192.168.1.108
Default admin user / password:	admin / - The administrator password should be set at the first start
Web browser access ports:	80, 37777
PC client access ports:	37777
Mobile client access ports:	37777
Port ONVIF:	80
RTSP URL:	rtsp://admin:haslo@192.168.1.108:554/cam/realmonitor?channel=1&subtype=0 - Main stream rtsp://admin:haslo@192.168.1.108:554/cam/realmonitor?channel=1&subtype=1 - Sub stream
Main features:	<ul style="list-style-type: none"> • Motozoom lens • D-WDR - Wide Dynamic Range • 3D-DNR - Digital Noise Reduction • ROI - improve the quality of selected parts of image • F-DNR (Defog) - Reduction of image noise caused by precipitation • BLC/HLC - Back Light / High Light Compensation • Possibility to change the resolution, quality and bit rate • Motion Detection • Configurable Privacy Zones • ICR - Movable InfraRed filter • Day/Night mode (color/b&w/auto) • AGC - Automatic Gain Control • WB - White Balance (ATW/AWB/manual/indoor/outdoor) • Mirror - Mirror image • IVS analysis : <ul style="list-style-type: none"> - crossing the line (tripwire), intrusion, fast moving - classification of people and vehicles , - abandoned/missing object , - loitering detection , - detection of people gathering , - illegal parking , - scene changing , - people counting - detection and maintenance of 4 independent areas , - queue management , - face detection - supports 6 types of facial attributes extraction, supports 8 types of face expressions, Support for up to 5 face databases, including 50 000 face images , - ANPR , - metadata handling - automatic photo taking and collection of information enabling the subsequent identification of people and vehicles that triggered the alarm (clothing, silhouette, face, features of motor and non-mechanical vehicles)
Housing:	Compact, Metal + Plastic
Color:	White + Black
"Index of Protection":	IP67
Vandal-proof:	IK10
Power supply:	<ul style="list-style-type: none"> • ePoE, • PoE (802.3at), • 12 V DC / 1.27 A, • 24 V AC / 0.81 A



Power consumption:	max. 18.9 W @ PoE max. 15.2 W @ 12 V DC max. 19.32 W @ 24 V AC
Operation temp:	-40 °C ... 65 °C
Weight:	1.87 kg
Dimensions:	340 x 138 x 134 mm
Supported languages:	Polish, English, Czech, French, Spanish, Dutch, German, Portuguese, Russian, Romanian, Turkish, Ukrainian, Hungarian, Italian
Manufacturer / Brand:	DAHUA
Guarantee:	3 years

PRESENTATION



Side view:



Bottom view (after remove the cover):





Mounting side view:

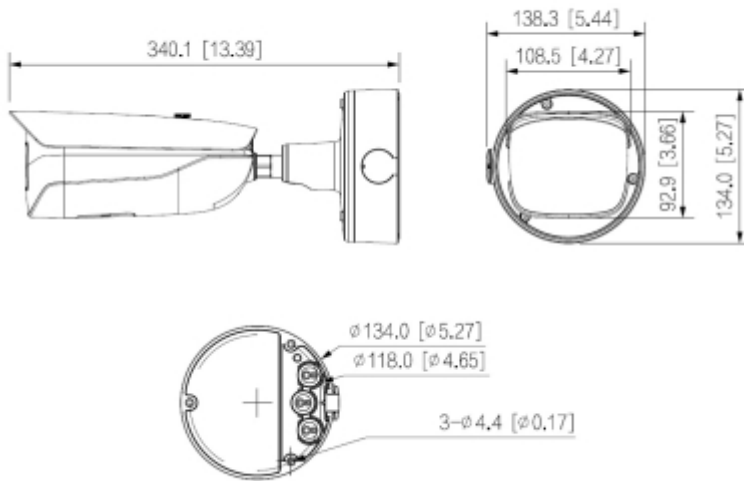


Camera connectors:



Dimensions:

mm [inch]



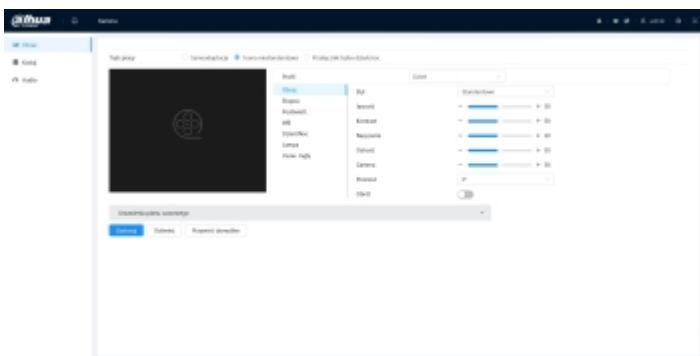
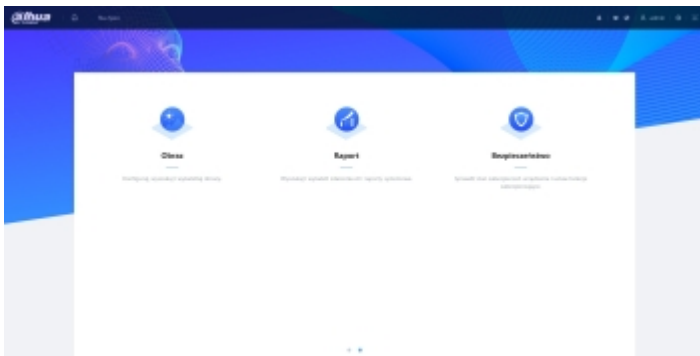
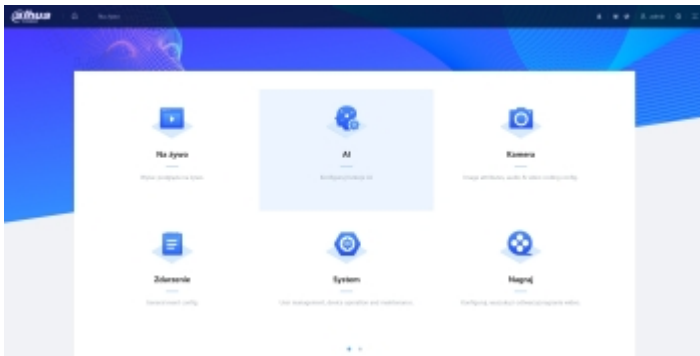
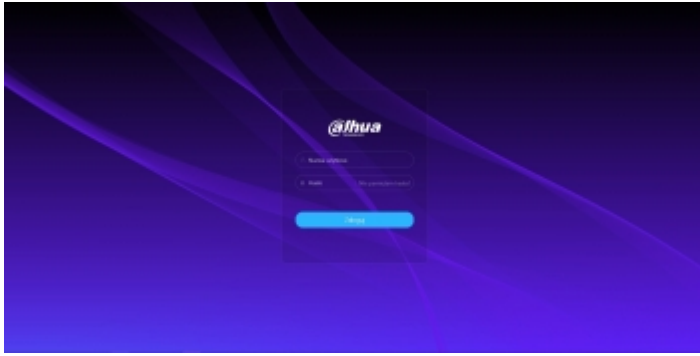
See how to initialize DAHUA cameras:

:

In the kit:



Example captures of device interface:



OUR TESTS

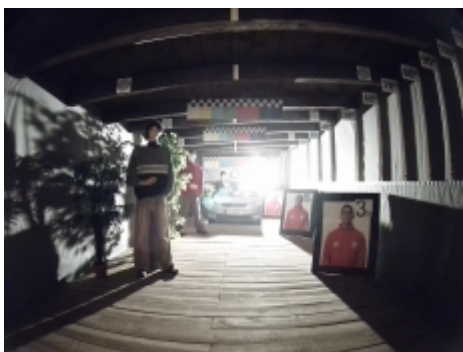
Camera image at artificial illumination (about 30Lux):



Camera image at night conditions with internal built-in IR illuminator on:



Camera image at direct strong light opposite to camera:



OUR OPINIONS



- The camera has extensive functions of intelligent image analysis.
- Motozoom lens.

PACKAGE

Dimensions (L x W x H): 0x0x0 mm	Gross Weight: 0 kg
----------------------------------	--------------------