

Code: APTI-41C6-2812WP

IP CAMERA **APTI-41C6-2812WP** 4.0 Mpx 2.8 ... 12 mm

Net: **103.26 EUR** Gross: **103.26 EUR**

IP camera with efficient H.265 / H.264 image compression algorithm for clear and smooth video streaming at maximal resolution of 2560 x 1440 (3.7 MPx).

Camera bracket allows to adjust the camera to any direction, and power cables are hidden inside the bracket.

PoE powering possibility, compatible with the 802.3af standard makes the device more universal and easier to install.



SPECIFICATION

| | |
|----------------------------------|---|
| Standard: | TCP/IP |
| Sensor: | 1/3 " OmniVision OV4689 CMOS |
| Digital Image Processor: | Hisilicon 3516D |
| Matrix size: | 4.0 Mpx |
| Resolution: | 2560 x 1440 - 3.7 Mpx , 2304 x 1296 - 3.0 Mpx , 1920 x 1080 - 1080p |
| Lens: | 2.8 ... 12 mm, 5 Mpx |
| View angle: | • 81 ° ... 23 ° (manufacturer data) • 80 ° ... 30 ° (our tests result) |
| S/N ratio: | > 50 dB |
| Range of IR illumination: | 60 m |
| IR illuminator power adjustment: | Automatic |
| Image compression method: | H.265 / H.264 / MJPEG |
| Bitrate: | 64 ... 12000 kbps |
| Main stream frame rate: | max. 20 fps - 2560 x 1440 max. 30 fps - 2304 x 1296 |
| Alarm inputs / outputs: | — |
| Audio: | — |
| Network interface: | 10/100 Base-T (RJ-45) |
| Network protocols: | TCP/IP, ICMP, HTTP, HTTPS, FTP, DHCP, DNS, DDNS, RTP, RTSP, RTCP, NTP, SMTP |
| Default admin user / password: | admin / admin |

DELTA-OPTI Monika Matysiak; <https://www.delta.poznan.pl>
POL; 60-713 Poznań; Graniczna 10
e-mail: delta-opti@delta.poznan.pl; tel: +(48) 61 864 69 60

| | |
|-------------------------------|--|
| Default IP address: | 192.168.1.168 |
| Web browser access ports: | 80 |
| PC client access ports: | 80 |
| WEB Server: | Built-in |
| Mobile client access ports: | 80 |
| Max. number of on-line users: | 3 |
| Port ONVIF: | 8999 |
| ONVIF: | 2.4 |
| RTSP URL: | rtsp://user:password@ip_address:80/0 - Main stream rtsp://user:password@ip_address:80/1 - Sub stream rtsp://user:password@ip_address:80/2 - Sub stream 2 |
| Mobile phones support: | Port no.: 80 or access by a cloud (P2P) • Android: Free application FREEIP • iOS (iPhone): Free application FREEIP |
| RS-485 interface: | — |
| Main features: | <ul style="list-style-type: none"> • 2D-DNR, 3D-DNR - Digital Noise Reduction • Possibility to change the resolution, quality and bit rate • BLC - Back Light Compensation • F-DNR (Defog) - Reduction of image noise caused by precipitation • ICR - Movable InfraRed filter • Mirror - Mirror image • Motion Detection • Privacy zones • Configurable: brightness, contrast, saturation • Sharpness - sharper image outlines • AGC - Automatic Gain Control • WB - White Balance • WDR - Wide Dynamic Range |
| Power supply: | <ul style="list-style-type: none"> • PoE (802.3af), • 12 V DC / 690 mA |
| Housing: | Compact, Metal |
| Color: | White |
| "Index of Protection": | IP66 |
| Supported languages: | English, Bulgarian, Czech, French, Spanish, Dutch, German, Polish, Portuguese, Russian, Turkish, Italian |
| Operation temp: | -20 °C ... 60 °C |
| Weight: | 1.03 kg |
| Dimensions: | 285 x 90 x 100 mm |
| Manufacturer / Brand: | APTI |
| Guarantee: | 2 years |

PRESENTATION



DELTA-OPTI Monika Matysiak; <https://www.delta.poznan.pl>
POL; 60-713 Poznań; Graniczna 10
e-mail: delta-opti@delta.poznan.pl; tel: +(48) 61 864 69 60



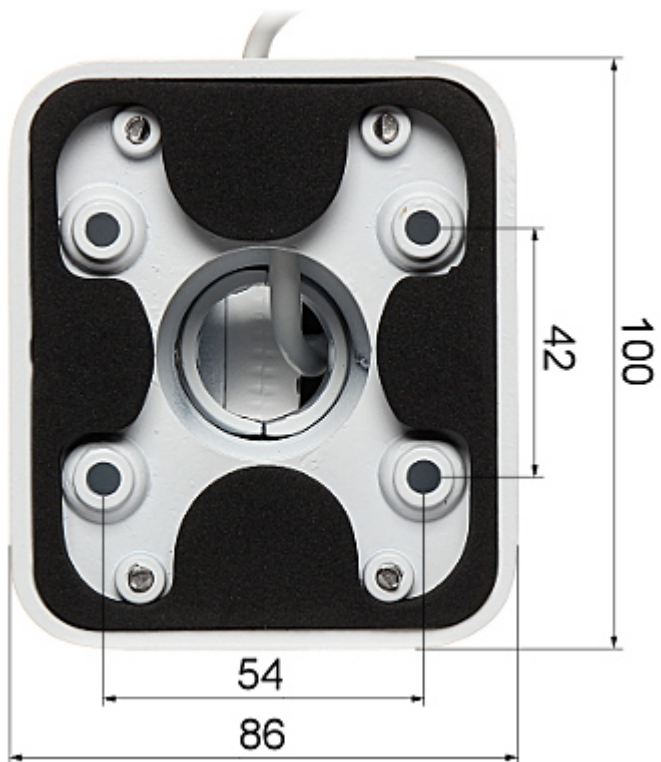
Side view:



Bottom view:



Bracket dimensions:



In the kit:

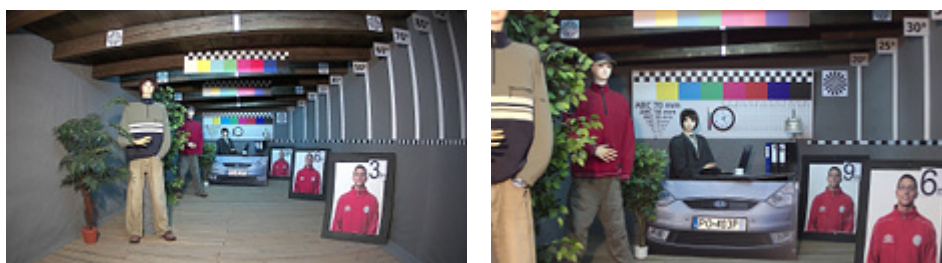


Configuration and operation of the FreeIP cloud:

:

OUR TESTS

Camera image at artificial illumination (about 30Lux):



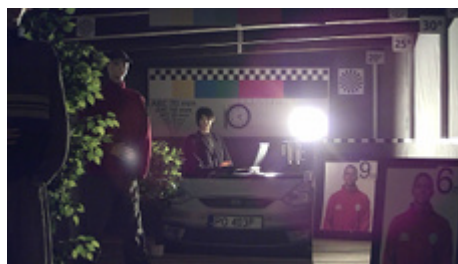
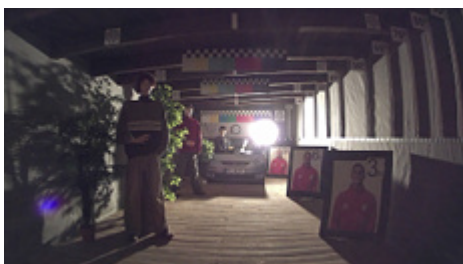
Camera image at night conditions with internal built-in IR illuminator on:



DELTA-OPTI Monika Matysiak; <https://www.delta.poznan.pl>
 POL; 60-713 Poznań; Graniczna 10
 e-mail: delta-opti@delta.poznan.pl; tel: +(48) 61 864 69 60



Camera image at direct strong light opposite to camera:



PACKAGE

| | |
|----------------------------------|--------------------|
| Dimensions (L x W x H): 0x0x0 mm | Gross Weight: 0 kg |
|----------------------------------|--------------------|