

Code: HAC-HFW2401SP-0360B

HD-CVI, PAL CAMERA **HAC-HFW2401SP-0360B** - 3.7 Mpx 3.6 mm DAHUA

Net: **101.54 EUR** Gross: **101.54 EUR**

Megapixel camera with 1/3" CMOS sensor and HD-CVI (High Definition Composite Video Interface).

The HD-CVI interface allows to transmission of analog, composite video signal via coaxial cable. During transmission there are no delays and is maintained the original, high quality image.

Camera is according to IP67 Index of Protection norm.

Attention! In 4 Mpx resolution camera works only with DAHUA recorders supporting that resolution.



SPECIFICATION

Standard:	HD-CVI, PAL
Matrix size:	4.1 Mpx
Sensor:	1/3 " Progressive Scan CMOS
Resolution:	2560 x 1440 - 3.7 Mpx , 1920 x 1080 - 1080p 1280 x 720 - 720p 960 x 576 - 960H, PAL
Video output:	HD-CVI / PAL - 1 Vpp / 75 Ω
Lens:	3.6 mm
View angle:	<ul style="list-style-type: none">• 79 ° (manufacturer data)• 77 ° (our tests result)
S/N ratio:	> 65 dB
Range of IR illumination:	30 m
IR illuminator power adjustment:	Automatic
Main features:	<ul style="list-style-type: none">• WDR - 120 dB - Wide Dynamic Range• 2D-DNR / 3D-DNR - Digital Noise Reduction• BLC/HLC - Back Light / High Light Compensation• ICR - Movable InfraRed filter• Sharpness - sharper image outlines• AGC - Automatic Gain Control• Privacy zones• Mirror - Mirror image• Auto White Balance
OSD menu:	OSD menu available via recorder
Power supply:	12 V DC / 490 mA
Power consumption:	≤ 4.9 W
Housing:	Compact, Aluminum

DELTA-OPTI Monika Matysiak; <https://www.delta.poznan.pl>
POL; 60-713 Poznań; Graniczna 10
e-mail: delta-opti@delta.poznan.pl; tel: +(48) 61 864 69 60

Color:	White
"Index of Protection":	IP67
Operation temp:	-40 °C ... 60 °C
Weight:	0.39 kg
Dimensions:	165 x 70 x 72 mm
Supported languages:	Polish, English, French, Spanish, German, Portuguese, Russian, Italian
Manufacturer / Brand:	DAHUA
Guarantee:	3 years

PRESENTATION

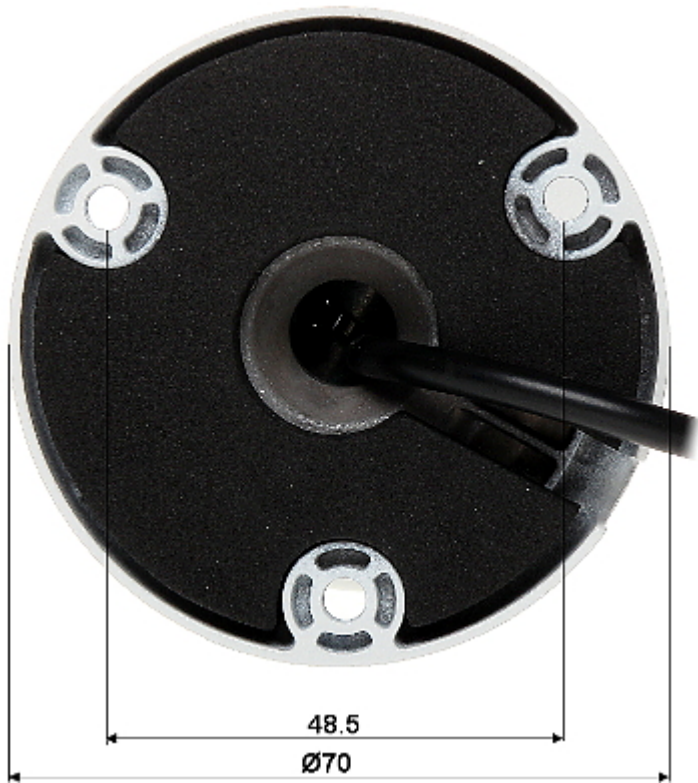
Front view:



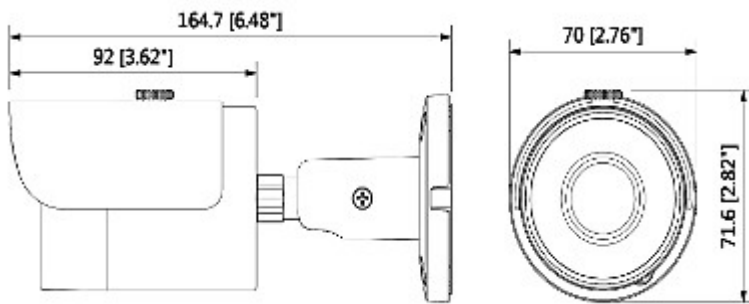
Side view:



Mounting side view:



Dimensions:



In the kit:



OUR TESTS

Camera image at artificial illumination (about 30Lux):



DELTA-OPTI Monika Matysiak; <https://www.delta.poznan.pl>
 POL; 60-713 Poznań; Graniczna 10
 e-mail: delta-opti@delta.poznan.pl; tel: +(48) 61 864 69 60

Camera image at night conditions with internal built-in IR illuminator on:



Camera image at direct strong light opposite to camera:



PACKAGE

Dimensions (L x W x H): 0x0x0 mm	Gross Weight: 0 kg
----------------------------------	--------------------