

Code: RVC-3/6

## COMPONENT VIDEO SPLITTER RVC-3/6

Net: 4.82 EUR Gross: 4.82 EUR

The RVC-3/6 splitter allows to split video component signals from one source without any loss of quality. It is designed to high quality monitors which required better picture quality than traditional Composite Video transmission. Component Video signal is also called as: YUV, Y Pb Pr or Y Cb Cr.

The Component Video transmission, transmit the video signal as three components: Y - luminance (brightness), U - saturation, V - hue. The last two components create chrominance.

The RVC-3/6 can be used as 3 Composite Video signals splitter. The device is designed to continuous work in closed spaces. The splitter is easily wall mounted. It has power LED indicator.



### SPECIFICATION

Standard:	CVBS - PAL, NTSC
Number of inputs:	3 pcs CINCH
Number of outputs:	6 pcs CINCH
Bandwidth:	0 ... 40 MHz (-3dB)
Inputs impedance:	75 $\Omega$
Outputs impedance:	75 $\Omega$
Power supply:	12 V DC (power adapter not included)
Current consumption:	80 mA
Gain :	0 dB
Weight:	0.08 kg
Dimensions:	120 x 30 x 60 mm
Guarantee:	2 years

### PRESENTATION

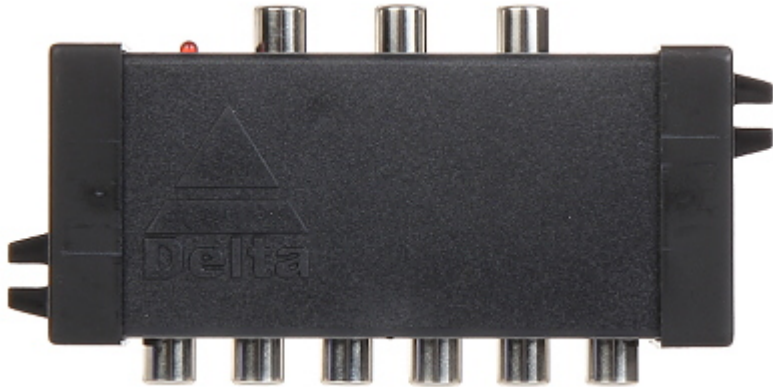
Front view:



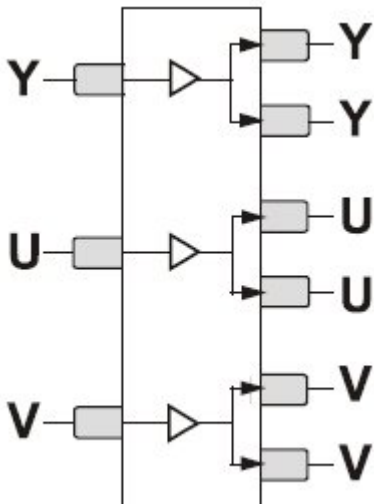
Rear view:



Top view:



Device internal connections diagram:



#### PACKAGE

Dimensions (L x W x H): 0x0x0 mm	Gross Weight: 0 kg
----------------------------------	--------------------

