

Code: EL1-005

ELECTRIC STRIKE **EL1-005** Biratronik BIRA

Net: **14.12 EUR** Gross: **14.12 EUR**



The Biratronik electric strikes EL1-series have asymmetric housing and steel, strengthened latch. There is no latch adjustment thank to this the latch is stronger than adjustable latch.

The Biratronik electric strikes are applied to wide range of doors (wooden, metal and PVC), gateways and lockers. They cooperate properly with all other elements of access control systems and therefore they are often used in residential and multi-apartment buildings, offices and commercial buildings.

SPECIFICATION

Rated voltage:	8 ... 14 V DC
Current consumption:	440 mA @ 12 V DC
Application:	right-side door / left-side door
Ratched lock:	—
Memory function:	—
Reverse action:	—
Clearance adjustment:	—
Allowable load of the door impacting the lock:	6000 N
Allowable uninterrupted operation time:	unlimited
Main features:	<ul style="list-style-type: none">• Asymmetric housing• Operation mode : NC• Low-current• Resistance : 27 Ω• Number of opening cycles : 200000
Weight:	0.21 kg
Dimensions:	20 x 27.5 x 90 mm
Manufacturer / Brand:	BIRA
Guarantee:	2 years

PRESENTATION



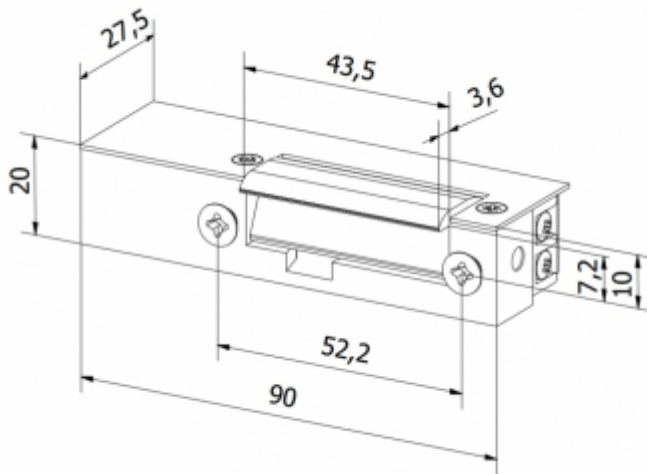
DELTA-OPTI Monika Matysiak; <https://www.delta.poznan.pl>
POL; 60-713 Poznań; Graniczna 10
e-mail: delta-opti@delta.poznan.pl; tel: +(48) 61 864 69 60



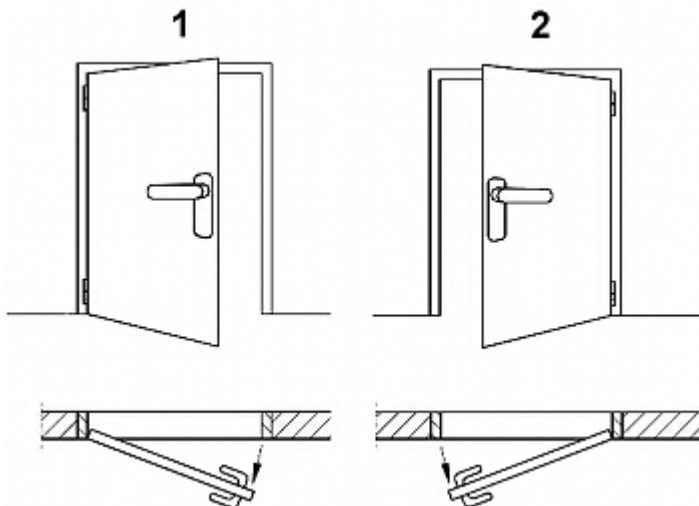
Connectors:



Dimensions:



Determination of the left- and right side doors:



- 1). right-side door
- 2). left-side door

OUR OPINIONS



DELTA-OPTI Monika Matysiak; <https://www.delta.poznan.pl>
POL; 60-713 Poznań; Graniczna 10
e-mail: delta-opti@delta.poznan.pl; tel: +(48) 61 864 69 60

- Low current consumption.

PACKAGE

Dimensions (L x W x H): 0x0x0 mm	Gross Weight: 0 kg
----------------------------------	--------------------

